

MY

EYE IWASAKI

LED100c/FL TURBO LED FLOOD LIGHT



IWASAKI ELECTRIC CO., LTD.
Address: 1-1-7 Higashinonbashi,
Chuo - Ku, Tokyo 103-0004 Japan.

☎ : +81-3-5846 9015 Fax : +81-3-5846 9033

🌐 : www.eye.co.jp

🌐 : www.eyelightingasia.com

PRODUCT SUMMARY

ELECTRICAL SYSTEM



- **Power Consumption** : 320W, 450W, 480W, 600W
- **Input Voltage** : 100 - 240Vac (50/60Hz)
- **Power Factor** : > 0.95
- **Insulation Class** : Class I
- **LED Driver** : Constant Current
: Constant Lumen Output (Optional)
: 0-10V/ PWM/ Timer Dimmable
: Programmable
: Input Surge Protection
: IP67 water & dust proof
- **Surge Protective Device** : I_{max} 25kA (50kV)
- **Optional Control Features** : Motion Sensor, Daylight Sensor
: Smart Lighting Controller
- **Operating Temperature** : -20°C to +50°C

FIXTURE HOUSING



- **Housing Material** : LM6 (Corrosion Resistant Aluminum)
- **Housing Finishing** : Akzo Nobel Powder Coating RAL9007 Golden Grey
- **Ingress Protection (IP)** : IP66 water & dust proof
- **Impact Resistance (IK)** : IK09 (10 Joules of Impact)
- **Vibration Resistance** : 3G, 3D Vibration 100,00 Cycles Test (Anti-Vibration Variant Only)
- **Tilting Adjustment** : Allowable tilt up to 162° (Upward) (Subjected to different mounting type)
- **Nett Weight (kg) (Complete Luminaire) Fixture + Gearbox** : 320W : approx. 20.8 kg
450W : approx. 21.7 kg
480W : approx. 21.1 kg
600W : approx. 21.6 kg
- **Gross Weight (kg) (Complete Package) Fixture + Gearbox** : 320W : approx. 25.0 kg
450W : approx. 25.9 kg
480W : approx. 25.3 kg
600W : approx. 25.7 kg

LIGHT SOURCE / OPTIC SPECIFICATION



- **LED Type 1 / Optic** : SMD 3737 with 8°, 15°
- **LED Type 2 / Optic** : SMD 5050 with 30°, 60°, A5
- **Color Temperature (CCT)** : Standard 5000K
- **Color Rendering Index (CRI)** : RA > 70
: (RA > 80, 90 upon request)
- **Life Time Residual Flux** : (L80) > 50,000 hours
@ Ta = 50 °C

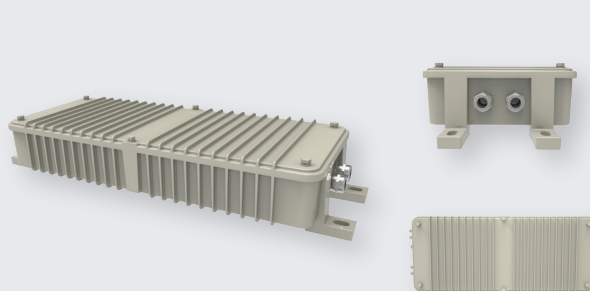
STANDARDS & CERTIFICATION TEST



- **Type Test Compliance (Luminaire)** : IEC 60598-1
: IEC 60598-2-5, IEC/TR 62778
: EN 62493
- **EMC Compliance (LED Driver)** : EN 61000-3-2, EN 61000-3-3
: EN 55015, EN 61547
- **LED Compliance Test** : IESNA LM-80, TM-21
- **Ingress Protection Test** : IEC 60529 (IP66)
- **Impact Resistance Test** : IEC 62262 (IK09)

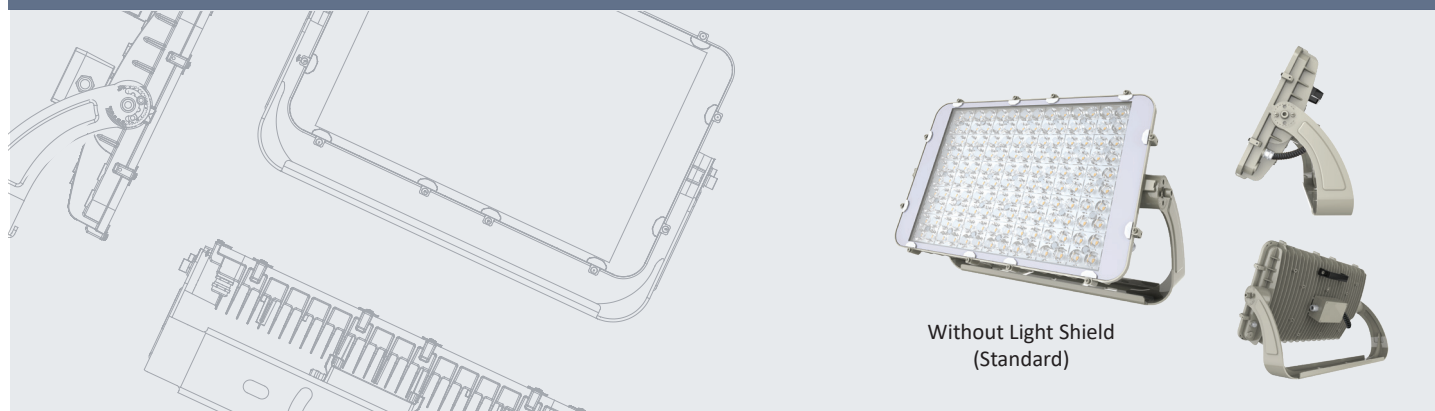


• Turbo LED Floodlight Fixture



• IP66 Remote Control Gearbox

PRODUCT TECHNICAL DATA

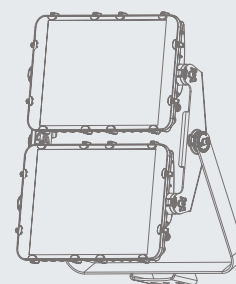


Without Light Shield
(Standard)

Model	LEDioc/FL Turbo 320W Series		LEDioc/FL Turbo 450W Series	
Power Consumption $\pm 5\%$ (W)	320W		450W	
Beam Angle	8° / 15°	30° / 60°	8° / 15° / A5	
Luminaire Flux $\pm 5\%$ (lm)	41,600 lm		54,000 lm	
System Efficacy $\pm 5\%$ (lm/W)	130 lm/W		120 lm/W	
Power Factor (PF)	> 0.95		> 0.95	
Surge Protection Device (kA/kV)	Imax 25kA (50kV)		Imax 25kA (50kV)	
Fixture Dimension L x W x H (mm)	603 x 408 x 205			
Fixture Carton Dimension L x W x H (mm)	650 x 540 x 240			
Fixture Net Weight (kg)	14.36 (min)	15.16 (max)	14.85 (min)	15.02 (max)
Fixture Carton Gross Weight (kg)	17.25 (min)	18.00 (max)	17.67 (min)	17.82 (max)
Fixture Carton CBM (m ³)	0.0842		0.0842	
Gear Box Dimension L x W x H (mm)	575 x 208 x 99.5			
Gear Box Carton Dimension L x W x H (mm)	630 x 300 x 160			
Gear Box Net Weight (kg)	5.80		6.73	
Gear Box Gross Weight (kg)	7.20		8.05	
Gear Box Carton CBM (m ³)	0.0302		0.0302	



With Light Shield
(Optional)



Coming Soon
900W / 960W / 1200W
(2x450W) (2x480W) (2x600W)

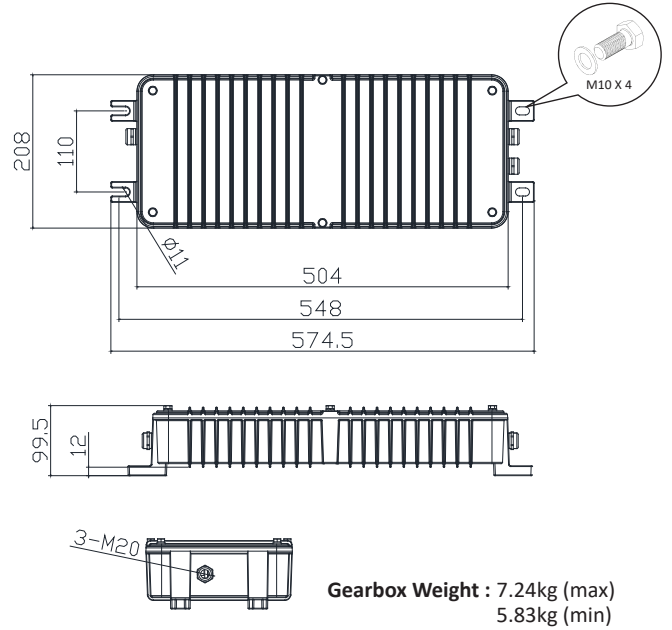
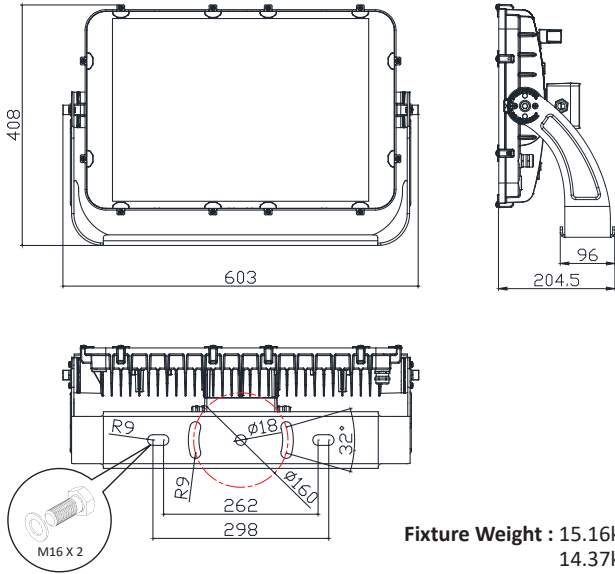
Model	LEDioc/FL Turbo 480W Series		LEDioc/FL Turbo 600W Series	
Power Consumption $\pm 5\%$ (W)	480W		600W / 600W / 550W	
Beam Angle	30° / 60°		30° / 60° / A5	
Luminaire Flux $\pm 5\%$ (lm)	72,000		90,000 / 90,000 / 66,000	
System Efficacy $\pm 5\%$ (lm/W)	150		150 / 150 / 120W	
Power Factor (PF)	> 0.95		> 0.95	
Surge Protection Device (kA/kV)	Imax 25kA (50kV)		Imax 25kA (50kV)	
Fixture Dimension L x W x H (mm)	603 x 408 x 205			
Fixture Carton Dimension L x W x H (mm)	650 x 540 x 240			
Fixture Net Weight (kg)	14.30			
Fixture Carton Gross Weight (kg)	17.25			
Fixture Carton CBM (m ³)	0.0842			
Gear Box Dimension L x W x H (mm)	575 x 208 x 99.5			
Gear Box Carton Dimension L x W x H (mm)	630 x 300 x 160			
Gear Box Net Weight (kg)	6.75		7.24	
Gear Box Gross Weight (kg)	8.05		8.37	
Gear Box Carton CBM (m ³)	0.0302		0.0302	

DIMENSION

ALL DIMENSION IN mm

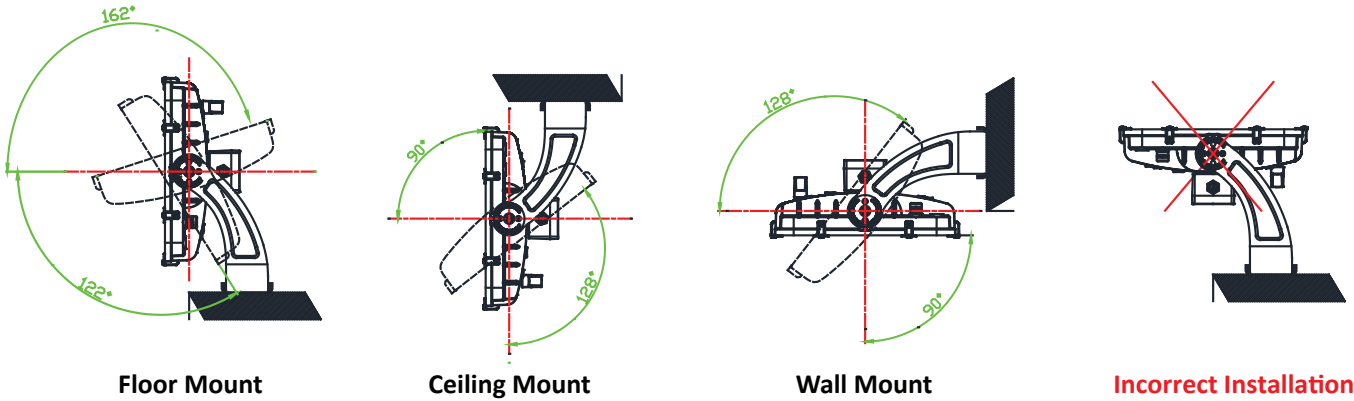
IP66 Fixture

IP66 Gear Box



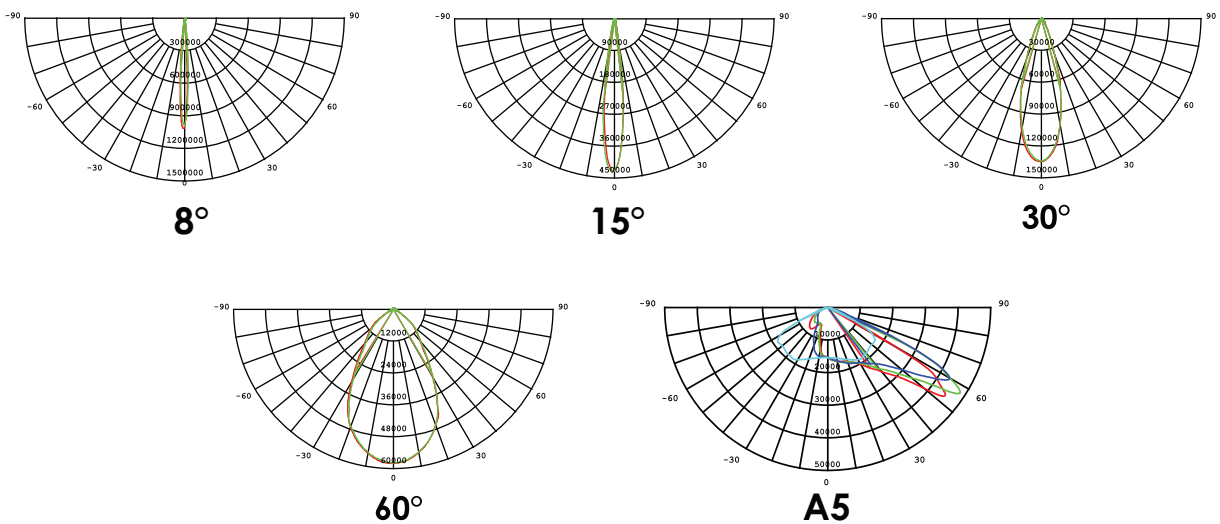
Note : The weight of the fixture and gearbox subjected to change with different beam angle & wattage, fixture is the same.

MOUNTING AND TILTING ADJUSTMENT



PHOTOMETRY DATA

Other optics upon request



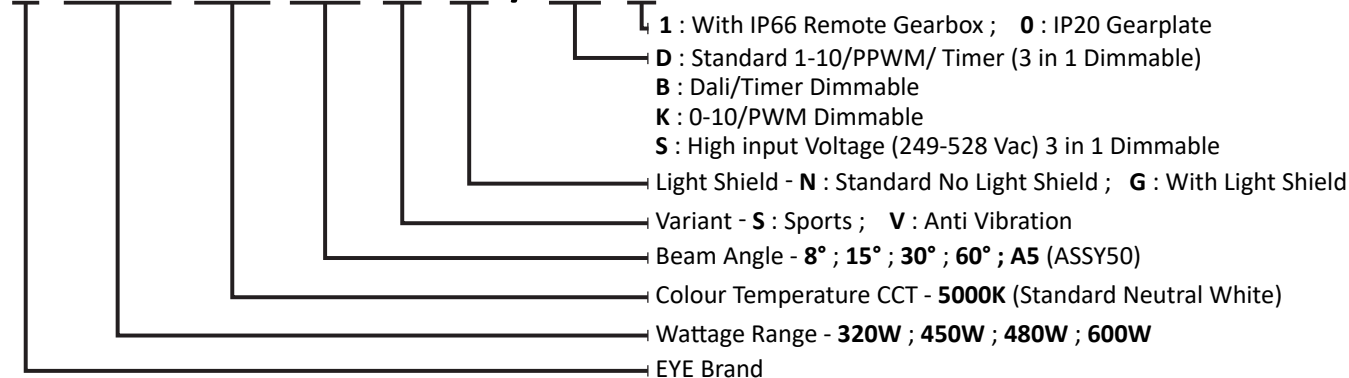
Note : The above photometry (beam angle) is based on LEDiOC/FL Turbo 320W

ORDERING CODE

(Fixture Configuration)

(Control Gear)

E 320 5K 08 S N / D 1



LEDioc/FL Turbo 320W Series

Code	Model Description	CCT	Beam Angle	Variant	Gearbox
E3205K08SN/D1	Turbo 320W	5000K	8°	Sports	(1) : With IP66 Gearbox (0) : With IP20 Gearplate
E3205K15SN/D1	Turbo 320W	5000K	15°	Sports	
E3205K30SN/D1	Turbo 320W	5000K	30°	Sports	
E3205K60SN/D1	Turbo 320W	5000K	60°	Sports	
E3205K08VN/D1	Turbo 320W	5000K	8°	Anti Vibration	
E3205K15VN/D1	Turbo 320W	5000K	15°	Anti Vibration	
E3205K30VN/D1	Turbo 320W	5000K	30°	Anti Vibration	
E3205K60VN/D1	Turbo 320W	5000K	60°	Anti Vibration	



Front View



Side View

LEDioc/FL Turbo 450W Series

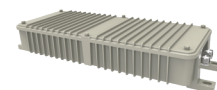
Code	Model Description	CCT	Beam Angle	Variant	Gearbox
E4505K08SN/D1	Turbo 450W	5000K	8°	Sports	(1) : With IP66 Gearbox (0) : With IP20 Gearplate
E4505K15SN/D1	Turbo 450W	5000K	15°	Sports	
E4505K08VN/D1	Turbo 450W	5000K	8°	Anti Vibration	
E4505K15VN/D1	Turbo 450W	5000K	15°	Anti Vibration	



Rear View

LEDioc/FL Turbo 480W Series

Code	Model Description	CCT	Beam Angle	Variant	Gearbox
E4805K30SN/D1	Turbo 480W	5000K	30°	Sports	(1) : With IP66 Gearbox (0) : With IP20 Gearplate
E4805K60SN/D1	Turbo 480W	5000K	60°	Sports	
E4805K30VN/D1	Turbo 480W	5000K	30°	Anti Vibration	
E4805K60VN/D1	Turbo 480W	5000K	60°	Anti Vibration	



(1) : IP66 Remote Gearbox

Eg: E3205K08S/D1

LEDioc/FL Turbo 600W Series

Code	Model Description	CCT	Beam Angle	Variant	Gearbox
E6005K30SN/D1	Turbo 600W	5000K	30°	Sports	(1) : With IP66 Gearbox (0) : With IP20 Gearplate
E6005K60SN/D1	Turbo 600W	5000K	60°	Sports	
E6005K30VN/D1	Turbo 600W	5000K	30°	Anti Vibration	
E6005K60VN/D1	Turbo 600W	5000K	60°	Anti Vibration	



(0) : IP20 Gearplate

Eg: E3205K08S/D0

Note : 1. Above are standard product codes comes with **Standard 3 in 1 Dimmable LED Driver (D)** and come with **IP66 Remote Gearbox (1)**.
2. Light Shield, Non-IP Gear Plate, other driver model, other colour temperature CCT can be made upon request.

IWASAKI ELECTRIC CO., LTD. (HEADQUARTER)

Address: 1-1-7 Higashinohonbashi,
Chuo – Ku, Tokyo 103-0004 Japan.
Telephone: +81-3-5846 9015
Fax: +81-3-5846 9033
Email: sales@eye.co.jp

EYE LIGHTING ASIA PACIFIC PTE LTD (SINGAPORE)

Address: 21 Kaki Bukit Place Eunos Techpark, Singapore 416 199
Telephone: +65-6742 3611
Fax: +65-6743 5202
Email: sales@eyelighting.com

ELM LIGHTING SDN BHD (MALAYSIA)

Address: No. 16 & 18, Jalan Utarid U5/29,
Mah Sing Integrated Industrial Park, Seksyen U5,
40150 Shah Alam, Selangor, Malaysia.
Telephone: +603-7832 7600, +603-7859 7847
Fax: +60-37859 7947
Email: sales@elmlighting.com.my

EYE LIGHTING (THAILAND) CO., LTD.

Address: 21F, Room No. 2105-6 United Business Center II Building
Sukhumvit Road Soi 33, North Klongton, Wattana
Bangkok, 10110, Thailand
Telephone: +66-(0)2-662-1867
Fax: +66-(0)2-662-1868
Email: sales@elt.co.th

EYE LIGHTING AUSTRALIA PTY LTD.
Queensland, Australia

EYE LIGHTING(HONG KONG)LTD.
Hong Kong

EYE LIGHTING NEW ZEALAND LTD.
New Zealand

**EYE LIGHTING INTERNATIONAL
OF NORTH AMERICA, INC.**
Ohio, USA

Official Website: www.eyelightingasia.com
www.eye.co.jp (Japan)

 **IWASAKI**