

# Regulators

## Ordering Information

\*Additional configurations available upon request.

<b>A</b>	<b>B</b>	-	<b>C</b>	<b>D</b>	-	<b>E</b>	<b>F</b>	-	<b>G</b>	<b>H</b>	<b>I</b>	-	<b>J</b>	Standard feature
SM	PR1	-	VF	4	-	06	03	-	06	C	03	-	P	Optional

A	Materials
SM	316L Stainless steel
DM	316L Stainless steel VAR

B	Type
PR1	Regulator PR1 series
PR2	Regulator PR2 series

C	Connection Type
VM	Male BVC
VF	Female BVC
TW	Butt Weld
S	SUPERLOK Tube Fitting

D	Connection Size			
	Designator	Nominal Size	Outside Diameter	Wall Thickness
	4	1/4 in.	6.35 mm	1.00 mm
	6	3/8 in.	9.53 mm	1.00 mm
	8	1/2 in.	12.7 mm	1.24 mm

E	Maximum Inlet Pressure
06	600 psig (41.4 bar)
10	1000 psig (69 bar)
35	3500 psig (241 bar)

F	Outlet Pressure
03	30 psig (2.1 bar)
06	60 psig (41.4 bar)
10	100 psig (6.9 bar)
15	150 psig (10.3 bar)
25	250 psig (17.3 bar)

G	Inlet Gauge
	Leave <b>Blank</b> : regulator <i>without</i> gauge.
06	600 psig
10	1000 psig
35	3500 psig
40	4000 psig

H	Gauge Port
	See <a href="#">Gauge Port Configuration</a> for the figures on page 83
A	Figure A
B	Figure B
C	Figure C
D	Figure D

I	Outlet Gauge
03	0 ~ 30 psig
06	0 ~ 60 psig
10	0 ~ 100 psig
16	0 ~ 160 psig
20	0 ~ 200 psig
30	0 ~ 300 psig

J	Wetted Surface Grade
	<b>BA</b> is standard. No part designator needed.
P	EP

# Regulators

## PR2 Series



### Part Number Examples

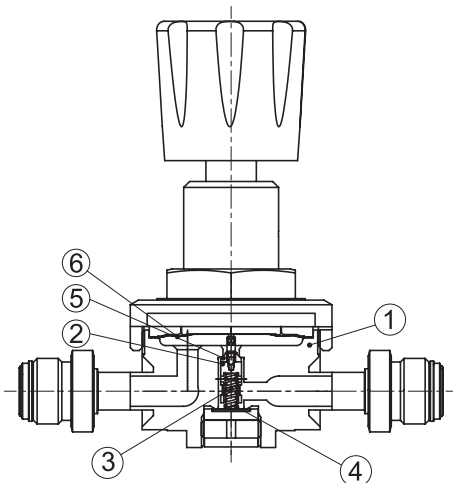
	DMPR2-VM8-3525-40C-30-P		SMPR2-S8-0603-A	
<b>Material</b>	DM	316L Stainless Steel VAR	SM	316L Stainless Steel
<b>Type</b>	PR2	PR2 series	PR2	PR2 series
<b>Connection Type</b>	VM	BVC Male	S	Lok
<b>Connection Size</b>	8	1/2"	8	1/2"
<b>Max. Inlet Pressure</b>	35	3500 psig (241 bar)	06	600 psig (42.4 bar)
<b>Outlet Pressure</b>	25	250 psig (17.3 bar)	03	30 psig (2.1 bar)
<b>Inlet Gauge</b>	40	4000 psig		W/O inlet gauge
<b>Gauge Port*</b>	C	Fig.C of <i>Gauge Port Configurations</i> , page 83	A	Fig.A of <i>Gauge Port Configurations</i> , page 83
<b>Outlet Gauge</b>	30	0~30 psig		W/O outlet gauge
<b>Grade</b>	P	EP grade		BA grade (standard)

\*NOTE: See *Gauge Port Configurations* on page 83.

### Specifications

<b>Size</b>	1/2"
<b>Cv Value</b>	0.5
<b>Surface finish (Ra)</b>	10µin or 5µin
<b>Max. rated inlet pressure</b>	600, 1000, 3500 psig (41.4, 69, 241 bar)
<b>Outlet pressure ranges</b>	30, 60, 100, 150, 250 psig (2.1, 4.1, 6.9, 10.3, 17.3 bar)
<b>Design proof pressure</b>	150% of Maximum rated pressure
<b>Max. Working Temperature</b>	PCTFE: -26~80°C (-15~176°F) / PFA, PI: -26~150°C (-15~302°F)
<b>External Leakage Allowance (He)</b> (Holding Time ≥ 1 min.)	≤1x10 <sup>-9</sup> atm.cc/s
<b>Particle Inspection (EP Only)</b> (0.1µm and Larger)	No count

### Material

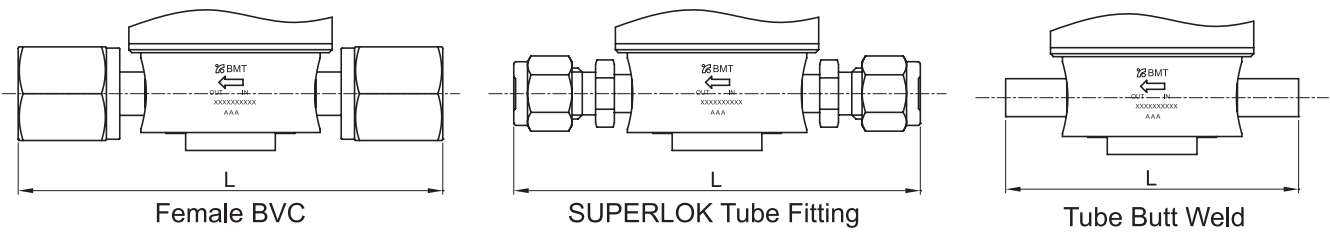
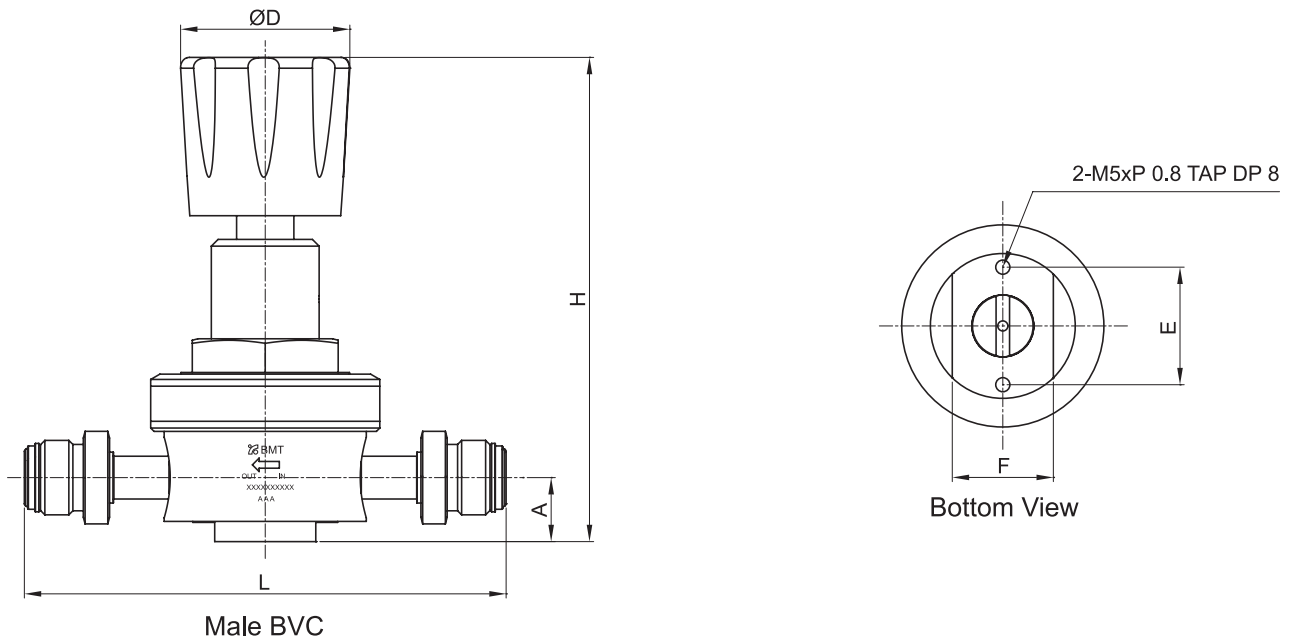


No.	Component	Material
1	Body	316L Stainless Steel
		316L Stainless Steel VAR
2	Seat Holder	316L Stainless Steel
3	Main Valve	316L Stainless Steel
4	Valve Spring	Inconel 750
5	Seat	PCTFE (standard) / PFA / PI
6	Diaphragm	Ni-Co Alloy

**NOTE:**

·Dimensions and Drawings are for reference only and are subject to change without prior notice.  
·Unless otherwise specified, all dimensions are in millimeters.

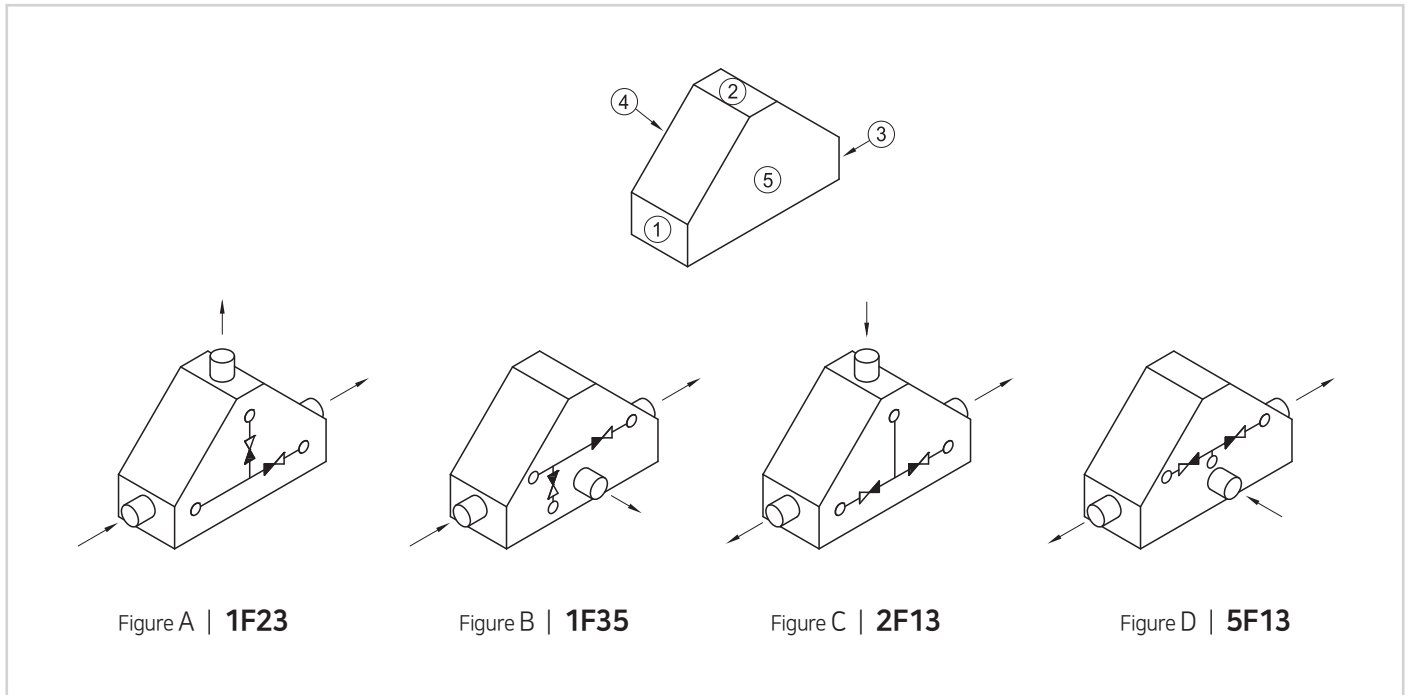
Dimensions



End Connection	Part No.	Dimensions (mm)					
		L	H	A	E	F	D
Male BVC	SMPR1-VM8	142	142	19	34.9	30	52
Female BVC	SMPR1-VF8	142					
SUPERLOK Tube Fitting	SMPR1-S8	136.8					
Butt Weld	SMPR1-TW8	94					

NOTE:  
 ·Dimensions and Drawings are for reference only and are subject to change without prior notice.  
 ·Unless otherwise specified, all dimensions are in millimeters.

## Flow Paths



## Gauge Port Configurations

