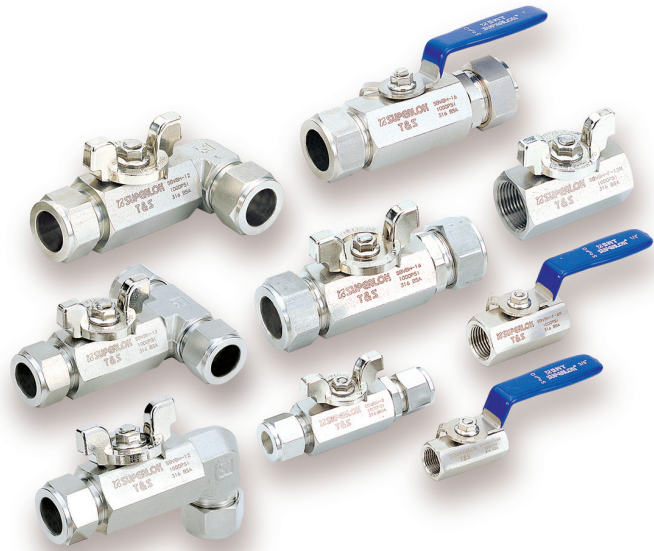


SBV210 Ball Valves

Two-piece Type

Features

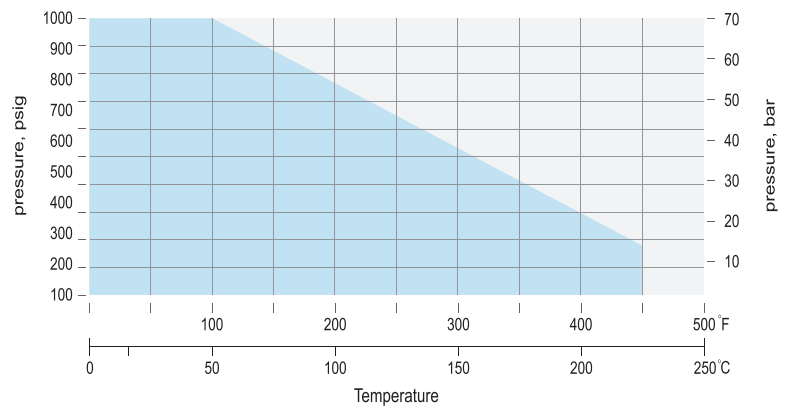
- Compact design
- Tight and smooth, low torque and easy operation
- Butterfly and lever handle available
- Variety of End Connections
- Each and every valve is tested at the factory



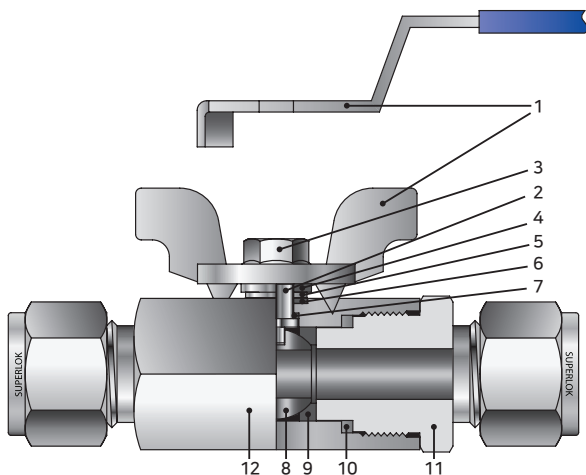
Specifications

- Pressure rating : 1000psig (69bar)@70°F (21°C)
- Body material : 316 stainless steel and Brass
- Port Connections : 1/4 to 1 in. and 6 to 16mm
- Orifice : 5.0 to 16.0mm

Pressure-Temperature Ratings



Materials of Construction

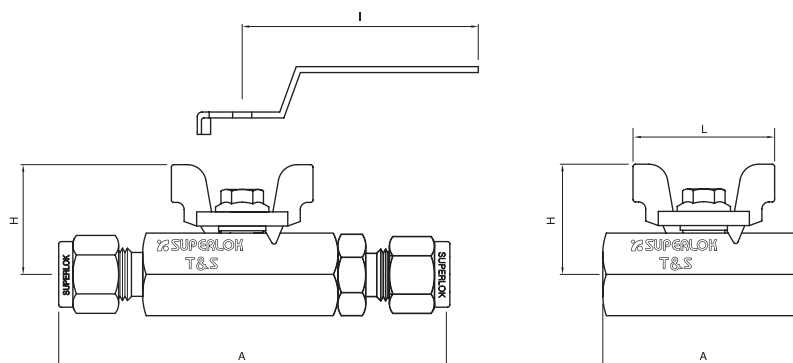


No.	Component	Material Grade / ASTM Specification	
		Stainless Steel	Brass
1	Handle	SS304 Lever handle with PVC color coated Zinc butterfly handle with nickel plated	
2*	Stem	SS316 / A276	
3	Lock Nut	Stainless Steel	
4	Upper Stem Washer	SS304 / A276	
5	Lower Stem Washer		
6	Upper Stem Seal	PTFE	
7	Lower Stem Seal		
*8	Ball	SS316 / A276	
*9	Seat	PTFE	
10	Connector Seal		
*11	End Connector	SS316 / A276	Brass / B16
	Insert (for Female Thread)	SS316 / A276	
*12	Body	SS316 / A276	Brass / B16

* Wetted components

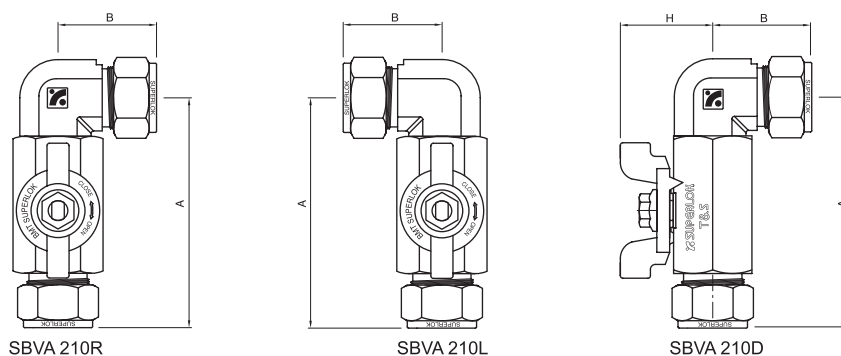
Table of Dimensions

SBV210 Series



Part No.	Orifice	Cv	End Connections	Dimensions				
				A	H	I	L	
SBV210	S6M	5.0	1.25	6mm SUPERLOK	79.8	23.0	60.0	30.0
	S4		1.25	1/4" SUPERLOK	79.8			
	F4N		1.4	1/4" FEMALE NPT	42.8			
	S10M	7.5	2.6	10mm SUPERLOK	91.5	31.0	90.0	48.0
	S6		2.5	3/8" SUPERLOK	91.5			
	F6N		2.6	3/8" FEMALE NPT	46.6			
	S12M	9.0	9.5	12mm SUPERLOK	101.4	34.0	90.0	50.0
	S8		9.5	1/2" SUPERLOK	101.4			
	F8N		9.5	1/2" FEMALE NPT	55.0			
	S16M	12.5	10.6	16mm SUPERLOK	107.6	39.0	100.0	55.0
	S10		10.6	5/8" SUPERLOK	107.0			
	S12		12.7	3/4" SUPERLOK	107.0			
	F12N		12.7	3/4" FEMALE NPT	61.3			
	S16		17.5	1" SUPERLOK	131.0			
F16N	17.5	1" FEMALE NPT	76.0	45.0	100.0	68.0		

SBVA210 Series

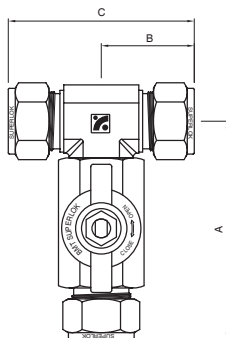


Part No.	Orifice	End Connections	Dimensions			
			A	B	H	
SBVA210	S4	5.0	1/4" SUPERLOK	65.3	30.5	23.0
	S6	7.5	3/8" SUPERLOK	77.5	36.1	31.0
	S8	9.0	1/2" SUPERLOK	87.9	38.1	34.0
	S12	12.5	3/4" SUPERLOK	93.8	39.9	39.0
	S16	16.0	1" SUPERLOK	115.3	49.0	45.0

- Dimensions and Drawings are for reference only and are subject to change without prior notice.
- Unless otherwise specified, all dimensions are in millimeters.
- Sizes, pressure classes, and end connections not listed are available upon request.
- Dimensions shown with SUPERLOK nuts finger-tight, where applicable.

Table of Dimensions

SBVT210 Series



Part No.	Orifice	End Connections	Dimensions			
			A	B	C	
SBVT210	S4	5.0	1/4" SUPERLOK	65.3	30.5	61.0
	S6	7.5	3/8" SUPERLOK	77.5	36.1	72.2
	S8	9.0	1/2" SUPERLOK	87.9	38.1	76.2
	S12	12.5	3/4" SUPERLOK	93.8	39.9	79.8
	S16	16.0	1" SUPERLOK	115.3	49.0	98.0

- Dimensions and Drawings are for reference only and are subject to change without prior notice.
- Unless otherwise specified, all dimensions are in millimeters.
- Sizes, pressure classes, and end connections not listed are available upon request.
- Dimensions shown with SUPERLOK nuts finger-tight, where applicable.

Ordering Information

Example : **SBV210 - S 8 - BH - B**

1
2
3
4
5

1. Valve Series

- SBV210
- SBVA210
- SBVT210

2. End Connection

- S = SUPERLOK Tube Fitting
- F = Female Thread

3. End Connection Size

Tube O.D Designator

Tube O.D (inch)	1/4	3/8	1/2	3/4	1
Designator	4	6	8	12	16
Tube O.D (mm)	6	10	12	16	
Designator	6M	10M	12M	16M	

Pipe Thread Designator

Size(inch)	1/4	3/8	1/2	3/4	1
Screwed NPT	4N	6N	8N	12N	16N
Screwed BSPT	4R	6R	8R	12R	12R

4. Handle

- (Blank) = Butterfly Handle (Standard)
- BH = Bar Handle

5. Body Material

- (Blank) = 316 Stainless Steel
- B = BRASS

※ For special sizes and configurations, please consult BMT (SUPERLOK) sales representative.