

SBVH360 Ball Valves

Three-piece High-pressure Type

Features

- Compact design
- High flow rate with maximum orifice
- Variety of End Connections
- Anti blow-out stem design
- Each and every valve is tested at the factory
- Fire safety design available



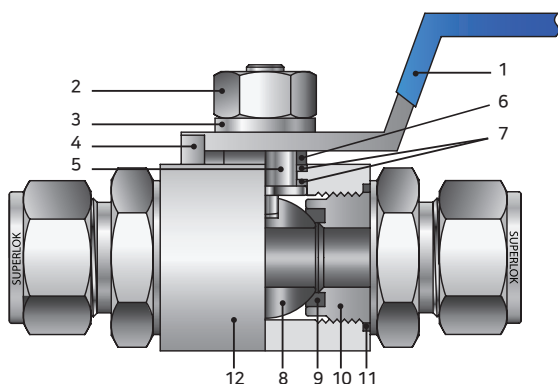
Specifications

- Pressure rating : 6000psig (414bar)@70°F (21°C)
- Temperature rating : -22 to 300°F (-30 to 150°C) with PCTFE seat
-65 to 500°F (-54 to 260°C) with PEEK seat
- Body material : 316 stainless steel and Brass
- Port Connections : 1/4 to 1 in. and 6 to 25mm
- Orifice : 10.0 to 19.0mm

Testing

- Each Valve is tested with nitrogen at 1000psig(69bar) to maximum allowable leak rate of 0.1 SCCM.
- Hydrostatic shell test is performed at 1.5 times of the working pressure (Optional).

Materials of Construction



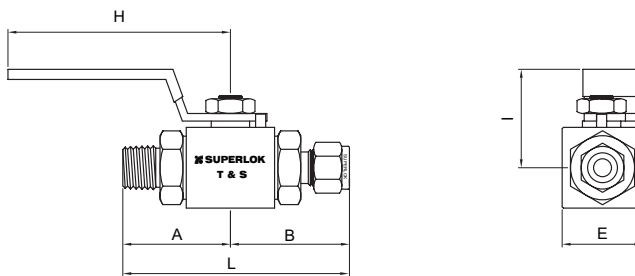
No.	Component	Material Grade / ASTM Specification
		Stainless Steel
1	Handle	SS304 Lever handle with PVC color coated
2	Lock Nut	Stainless Steel
3	Spring Washer	
4	Pin	
*5	Stem	SS316 / A276
6	Stem Washer	SS304 / A276
*7	Stem Packing	PTFE
*8	Ball	SS316 / A276
*9	Seat	PCTFE (Standard)
*10	End Connector	SS316 / A276
*11	Connector Seal	PTFE
*12	Body	SS316 / A276

※ Wetted components

- Components can limit the pressure and temperature ranges of the valve. Please consult BMT (SUPERLOK) sales representative for your specific application.

Table of Dimensions

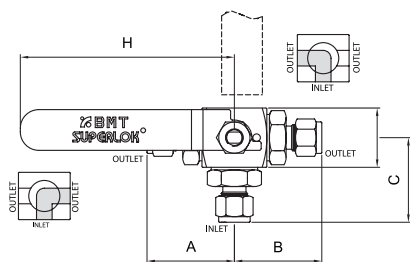
SBVH360 Series(2-Way)



Part No.	Orifice	Cv	End Connections	Dimensions								
				A	B	L	H	I	E			
SBVH3601	S4	1.2	1/4" SUPERLOK	45.7	45.7	91.4	115	38.5	32.0			
	S6	3.7	3/8" SUPERLOK	47.5	47.5	94.4						
	S8	7.5	1/2" SUPERLOK	49.8	49.8	99.6						
	F4N		1/4" FEMALE NPT	37.0	37.0	74.0						
	F6N		3/8" FEMALE NPT	38.0	38.0	76.0						
	F8N	1/2" FEMALE NPT	41.5	41.5	83.0	165				51.9	40.0	
	M4N	3.7	1/4" MALE NPT	42.1	42.1							84.2
	M6N	7.2	3/8" MALE NPT	42.1	42.1							84.2
	M8N	7.5	1/2" MALE NPT	47.0	47.0	94.0				165	57.0	50.0
SBVH3602	F8N	10.0	1/2" FEMALE NPT	45.5	45.5	91.0						
	F12N		3/4" FEMALE NPT	51.0	51.0	102.0						
	M12N		3/4" MALE NPT	52.5	52.5	105.0						
	S10		5/8" SUPERLOK	54.0	54.0	108.0						
	S12		3/4" SUPERLOK	54.0	54.0	108.0						
SBVH3603	F12N	19.0	3/4" FEMALE NPT	54.0	54.0	108.0						
	F16N		1" FEMALE NPT	62.5	62.5	125.0						
	S12		3/4" SUPERLOK	61.9	61.9	123.8						
	S16		1" SUPERLOK	66.4	66.4	132.8						
	M12N		3/4" MALE NPT	59.0	59.0	118.0						
M16N	1" MALE NPT	63.8	63.8	127.6								

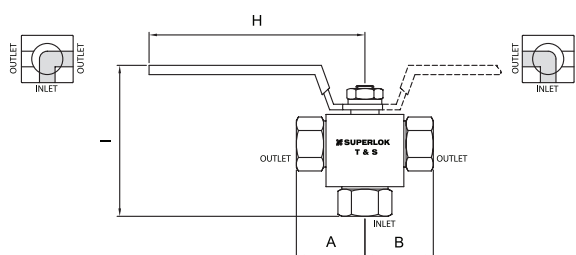
SBVH360-3S Series (3-Way)

Side Inlet Port



SBVH360-3 Series (3-Way)

Bottom Inlet Port



Part No.	Orifice	End Connections	Dimensions				
			A	B	I	H	C
SBVH36013 & SBVH36013S	S4	1/4" SUPERLOK	45.7	45.7	91.4	115	53.3
	S6	3/8" SUPERLOK	47.2	47.2	94.4		
	S8	1/2" SUPERLOK	49.8	49.8	99.6		
	F4N	1/4" FEMALE NPT	37.0	37.0	74.0		
	F6N	3/8" FEMALE NPT	38.0	38.0	76.0		
	F8N	1/2" FEMALE NPT	41.5	41.5	83.0		
SBVH36023 & SBVH36023S	S10	5/8" SUPERLOK	54.0	54.0	108.0	165	65.3
	S12	3/4" SUPERLOK	54.0	54.0	108.0		
	F8N	1/2" FEMALE NPT	45.5	45.5	91.0		
	F12N	3/4" FEMALE NPT	51.0	51.0	102.0		
SBVH36033 & SBVH36033S	S12	3/4" SUPERLOK	61.9	61.9	123.8	165	69.8
	S16	1" SUPERLOK	66.4	66.4	132.8		
	F12N	3/4" FEMALE NPT	59.0	59.0	118.0		
	F16N	1" FEMALE NPT	63.8	63.8	127.6		

- Dimensions and Drawings are for reference only and are subject to change without prior notice.
- Unless otherwise specified, all dimensions are in millimeters.
- Sizes, pressure classes, and end connections not listed are available upon request.
- Dimensions shown with SUPERLOK nuts finger-tight, where applicable.

Pressure & Temperature Rating

2-Way Straight

Valve Series	Materials			Pressure Rating @-54 to 21°C (-65 to 70°F)	Temperature Rating
	Seat	Stem Packing	End Connector Seal		
3601	PVDF	PTFE		6000psig (413bar)	-30 to 130°C (-22 to 265°F)
	PCTFE				-30 to 150°C (-22 to 300°F)
	PEEK				10000psig (689bar)
3602 & 3603	PVDF			5000psig (344bar)	-23 to 191°C (-10 to 375°F)
	PCTFE				
	PEEK			6000psig (413bar)	

2-Way Angle & 3-Way

Valve Series	Materials			Pressure Rating @-54 to 21°C (-65 to 70°F)	Temperature Rating
	Seat	Stem Packing	End Connector Seal		
3601	PVDF	PTFE	VITON	4000psig(275bar)	-30 to 130°C (-22 to 265°F)
	PCTFE				-30 to 150°C (-22 to 300°F)
	PEEK				6000psig(413bar)
3602 & 3603	PVDF			3000psig(206bar)	-23 to 191°C (-10 to 375°F)
	PCTFE				
	PEEK			4000psig(275bar)	

Ordering Information

Example :	SBVH3602 - S 12 - PE - M40				
	1	2	3	4	5

1. Valve Series

2-Way straight

- SBVH3601
- SBVH3602
- SBVH3603

2-Way Angle

- SBVH3601A
- SBVH3602A
- SBVH3603A

3-Way : Bottom Inlet Port

- SBVH36013
- SBVH36023
- SBVH36033

3-Way : Side Inlet Port

- SBVH36013S
- SBVH36023S
- SBVH36033S

2. End Connection

- S = SUPERLOK Tube Fitting
- F = Female Thread
- M = Male Thread

3. Connection Size

Tube O.D Designator

Tube O.D (inch)	1/4	3/8	1/2	5/8	3/4	1
Designator	4	6	8	10	12	16

Pipe Thread Designator

Size(inch)	1/4	3/8	1/2	3/4	1
Screwed NPT	4N	6N	8N	12N	16N
Screwed BSPT	4R	6R	8R	12R	12R

4. Seat Material

- (Blank)= PCTFE(Standard)
- PV = PVDF
- PE = PEEK

5. Body Material

- (Blank)= 316 Stainless Steel
- M40 = ALLOY (Monel)

※ For special sizes and configurations, please consult BMT (SUPERLOK) sales representative.