

High Pressure Key Operation Ball Valves

SBVL360 Series

Features

- Locking handle in On and Off positions
- High flow capacity in a compact design
- Low operating torques
- Positive handle stops
- Variety of End connections



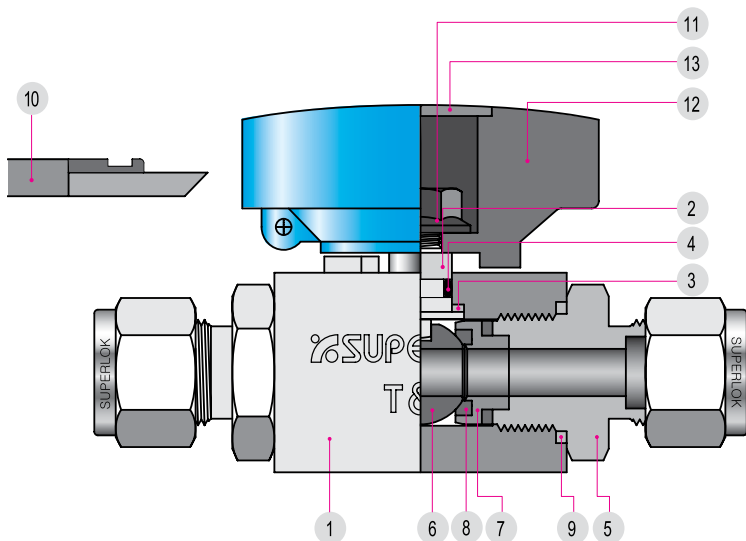
Specifications

- Pressure rating: 6000psig (413bar) @70 °F(21 °C) with standard PCTFE seat
- Temperature rating: -65 to 350 °F (-54 to 177 °C) with standard PCTFE seat
- Body material: 316 stainless steel
- Port connections: 1/4 to 3/4 in. and 6 to 25mm

Testing

- Each and every valve is tested with nitrogen at 1000psig (69bar).
- Valve have max allowable leak rate of 0.1 cm³/min
- Shell testing is performed on demand.

Materials of Construction



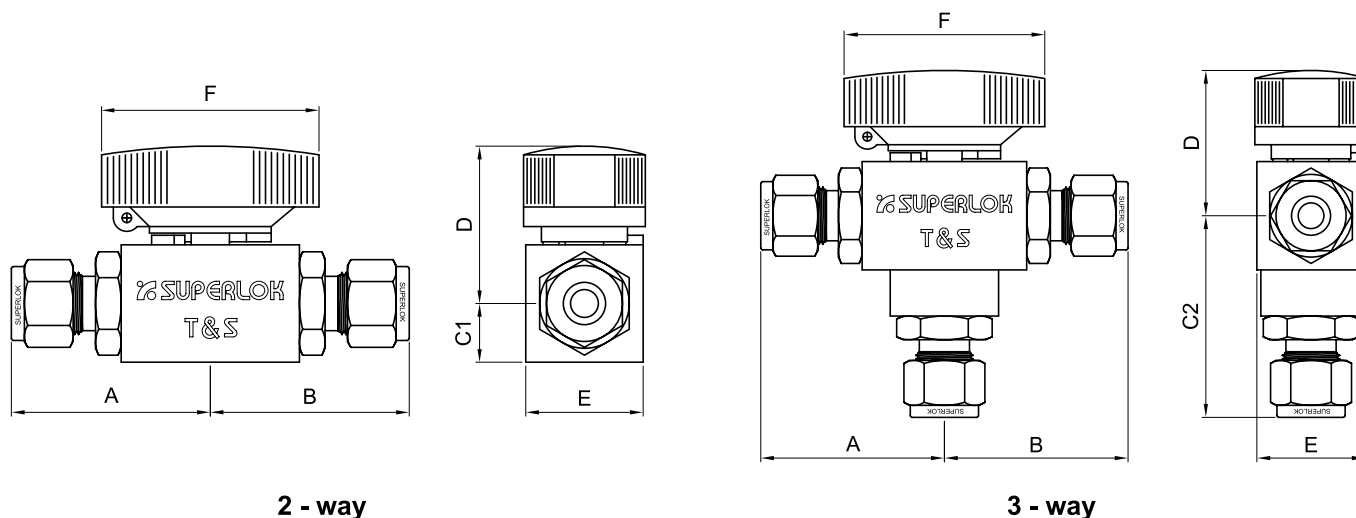
No.	Component	Material Grade ASTM Specification
*1	Body	A276-316 / A351-CF8M
*2	Stem	SS316 / A276
*3	Thrust Washer	PEEK
*4	O-Ring	NBR
*5	End Connector	A276-316
*6	Ball	A276-316
*7	Seal Retainer	A276-316
*8	Ball Seal	PCTFE
*9	Connector Seal	PTFE
10	Master Key	Zinc
11	Nut	Stainless Steel
12	Handle	Aluminum
13	Handle Cap	Aluminum

* Wetted components

- Components can limit the pressure and temperature ranges of the valve. Please consult BMT (SUPERLOK) sales representative for your specific application.

Table of Dimensions

SBVL360



2 - way

3 - way

Part No.	Orifice	Cv	End Connection	Dimensions							
				A	B	C1	C2	D	E	F	
SBVL3601 or SBVL36013	S6M	4.8	1.04	6mm SUPERLOK	43.8	43.8	12.0	43.8	33.7	24.0	42.0
	S4			1/4" SUPERLOK	43.8	43.8		43.8			
	F2N			1/8" FEMALE NPT	34.0	34.0		34.0			
	M4N			1/4" MALE NPT	40.2	40.2		40.2			
SBVL3602 or SBVL36023	S8M	6.4	2.34	8mm SUPERLOK	45.2	45.2	13.5	53.2	36.2	27.0	50.0
	S10M			10mm SUPERLOK	46.0	46.0		54.0			
	S6			3/8" SUPERLOK	45.7	45.7		53.7			
	F4N			1/4" FEMALE NPT	38.4	38.4		46.4			
	M4N			1/4" MALE NPT	41.1	41.1		49.1			
	M6N			3/8" MALE NPT	41.1	41.1		49.1			
SBVL3603 or SBVL36023	S12M	10.3	6.42	12mm SUPERLOK	59.2	59.2	16.0	69.2	41.5	32.0	60.0
	S16M			16mm SUPERLOK	59.2	59.2		69.2			
	S8			1/2" SUPERLOK	59.4	59.4		69.4			
	S12			3/4" SUPERLOK	59.2	59.2		69.2			
	F6N			3/8" FEMALE NPT	49.5	49.5		59.5			
	F8N			1/2" FEMALE NPT	54.6	54.6		64.6			
	M8N			1/2" MALE NPT	56.4	56.4		66.4			

- Dimensions and Drawings are for reference only and are subject to change without prior notice.
- Unless otherwise specified, all dimensions are in millimeters.
- Sizes, pressure classes, and end connections not listed are available upon request.
- Dimensions shown with SUPERLOK nuts finger-tight, where applicable.

Technical Data

Temperature and Pressure Rating

Seat Material	Temperature Rating	Pressure Rating @ 100°F (38°C)		Pressure Rating @ Max. Temperature	
		Stainless Steel	Brass	Stainless Steel	Brass
PCTFE	-65 to 300°F (-54 to 148°C)	6000psig (413 bar)	3000psig (207 bar)	1000psig@300°F (68.9bar@148°C)	700psig@300°F (48bar@200°C)
PEEK	-65 to 450°F (-54 to 232°C)	6000psig (413 bar)	3000psig (207 bar)	700psig@400°F (48bar@200°C)	
PTFE	-65 to 300°F (-54 to 148°C)	1500psig (103 bar)	1500psig (103 bar)	250psig@300°F (17.2bar@148°C)	

Ordering Information

Example :	SBVL 3602 - S6 - PE - RD - OT					
	1	2 3	4	5	6	

1. Valve Series

2-Way

- SBVL3601
- SBVL3602
- SBVL3603

3-Way

- SBVL36013
- SBVL36023
- SBVL360233

2. End Connection

- S = SUPERLOK Tube Fitting
- F = Female Thread
- M = Male Thread

3. End Connection Size

Tube O.D Designator

Tube OD (inch)	1/4	3/8	1/2	3/4		
Designator	4	6	8	12		
Tube OD (mm)	6	8	10	12	16	20
Designator	6M	8M	10M	12M	16M	20M

Pipe Thread Designator

Size (inch)	1/4	3/8	1/2	3/4
Screwed BSPT	4R	6R	8R	12R
Screwed NPT	4N	6N	8N	12N

4. Handle Color

- (Blank) = PCTFE
- PE = PEEK
- PT = PTFE

5. Handle Color

- (Blank) = Blue (Standard)
- RD = Red
- BK = Black

6. Valve Type*

- (Blank) = Standard Type
- OT = Open Free Type
- CT = Close Free Type
- ST = Special Type

* Please refer to page 296 for the valve types.

※ For special sizes and configurations, please consult BMT (SUPERLOK) sales representative.