

Low Pressure Key Operation Ball Valves

SBVL210 Series

Features

- Locking handle in On and Off positions
- Compact design
- Low operating torques
- Variety of End connections



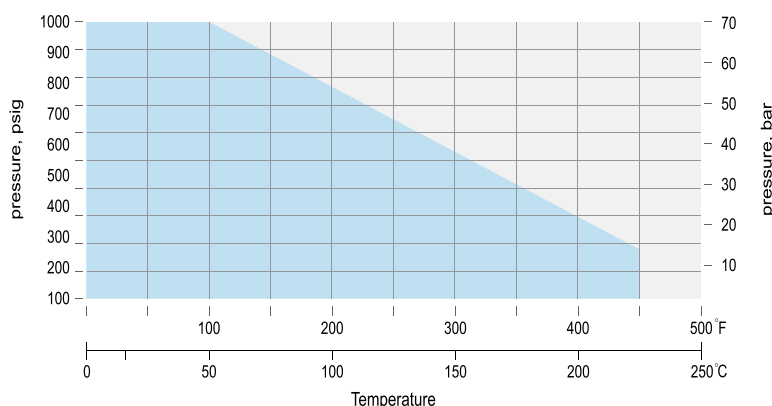
Specifications

- Pressure rating: 1000psig (69bar) @70°F (21°C)
- Temperature rating: 32°F to 445°F(0°C to 232°C)
- Body material: 316 stainless steel
- Port Connections: 1/4 to 1 in. and 6 to 25mm
- Orifice: 5.0 to 16.0mm

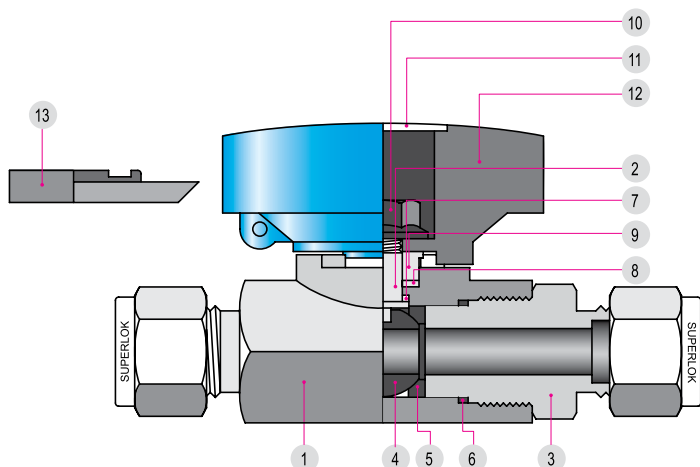
Testing

- Each and every valve is tested with nitrogen at 1000psig (69bar).
- The valves have max allowable leak rate of 0.1 cm³/min
- Shell testing can be performed upon request.

Pressure-Temperature Rating



Materials of Construction



No.	Component	Material Grade ASTM Specification
*1	Body	A185-F316 / A276-316 / A351-CF8M
*2	Stem	A276-316
*3	End Connector	A276-316
*4	Ball	A276-316
*5	Ball Seal	PTFE
*6	Connector Seal	PTFE
*7	Lower Stem Seal	PTFE
*8	Upper Stem Seal	PTFE
*9	Stem Washer	A276-304
10	Nut	Stainless Steel
11	Handle Cap	Aluminum
12	Handle	Aluminum
13	Master Key	Zinc

* Wetted components

- Components can limit the pressure and temperature ranges of the valve. Please consult BMT (SUPERLOK) sales representative for your specific application.

Ordering Information

Example :	SBVL 210	-	S8	-	RD	-	OT
	1		2 3		4		5

1. Valve Series

- SBVL210

2. End Connection

- S = SUPERLOK Tube Fitting
- F = Female Thread
- M = Male Thread

3. End Connection Size

Tube O.D

Tube O.D (inch)	1/4	3/8	1/2	3/4	1
Designator	4	6	8	12	16
Tube O.D (inch)	6	10	12	16	25
Designator	6M	10M	12M	16M	25M

Pipe Thread

Size (inch)	1/4	3/8	1/2	3/4	1
Screwed BSPT	4R	6R	8R	12R	16R
Screwed NPT	4N	6N	8N	12N	16N

4. Handle Color

- (Blank) = Blue (Standard)
- RD = Red
- BK = Black

5. Valve Type*

- (Blank) = Standard Type
- OT = Open Free Type
- CT = Close Free Type

* Please refer to 270 for the valve types.