

BV2 Bellows Valves

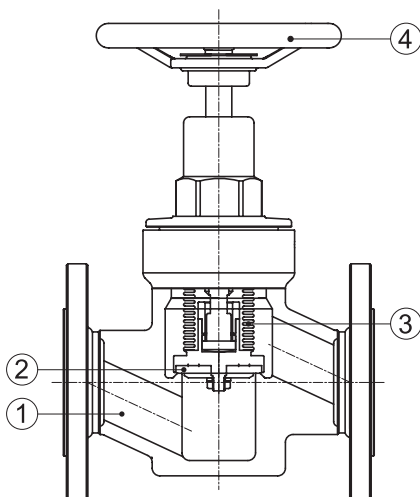
Low Pressure Manual Bellows Valves (Forged Type)



Specifications

Size	15A	1"	20A	25A	32A	40A	2"	50A
Cv Value	2.9	4.1	4.1	6.9	16	16	16	21
Orifice Size	15 mm	19 mm	19 mm	25 mm	40 mm	40 mm	40 mm	45 mm
Max. Working Pressure	10 bar (145 psig)							
Working Temperature	-10 ~ 80°C (14 ~ 176°F)							
Internal Leakage Allowance (He) (Holding Time ≥ 15 sec.)	≤1x10 ⁻⁵ atm.cc/s							
Inboard Leakage Allowance (He) (Holding Time ≥ 15 sec.)	≤1x10 ⁻⁵ atm.cc/s							
Particle Inspection (EP Only) (0.1µm and Larger)	No Count							

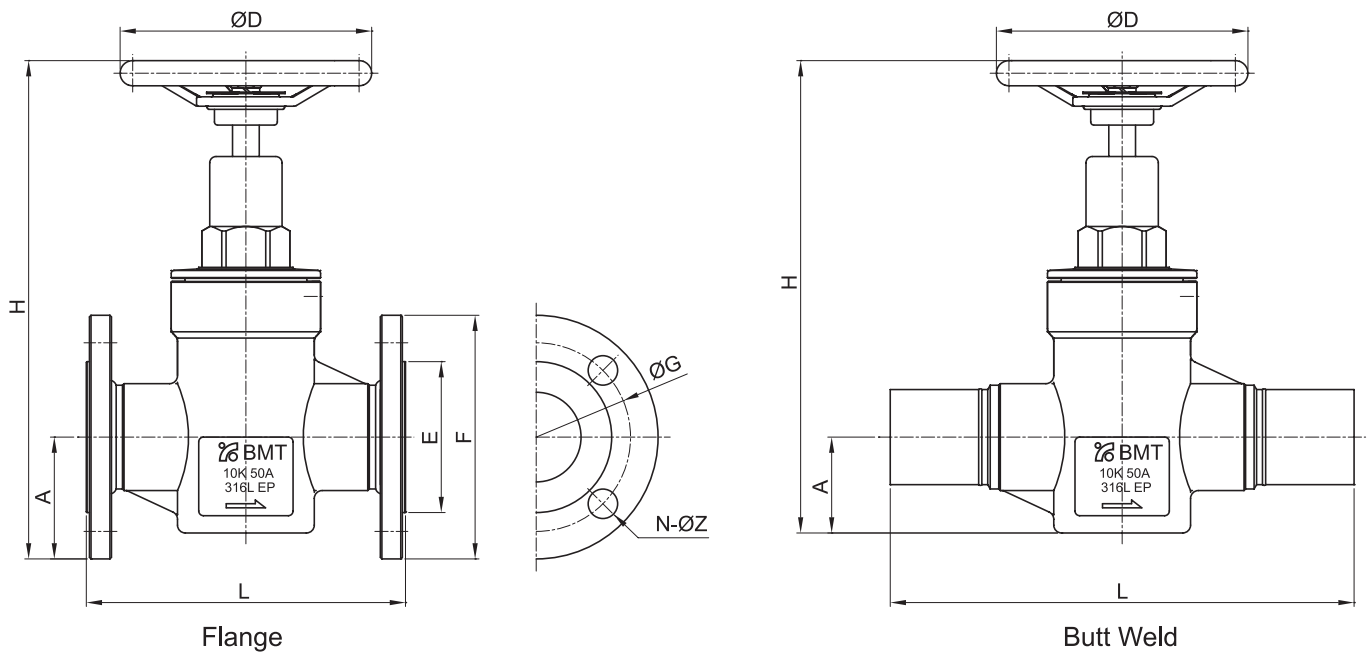
Material



No.	Component	Material
1	Body	316L Stainless Steel
		316L Stainless Steel VAR
		304 Stainless Steel
2	Seat	PTFE (<i>standard</i>)
3	Bellows	316L Stainless Steel
4	Handle	15A~25A: Aluminium / 32A~50A : 304 Stainless Steel

*Dimensions and Drawings are for reference only and are subject to change without prior notice.

Dimensions



Flange									
Part No.	L	A	H	D	E	F	G	N	Z
SMBV2-FE15A	108	47.5	151	65	51	95	70	4	15
SMBV2-FE16	117	50	159.5	65	56	100	75	4	15
SMBV2-FE20A	117	50	159.5	65	56	100	75	4	15
SMBV2-FE25A	127	62.5	184	79	67	125	90	4	19
SMBV2-FE32A	165	68	239	125	76	135	100	4	19
SMBV2-FE40A	165	70	239	125	81	140	105	4	19
SMBV2-FE32	165	70	239	125	81	140	105	4	19
SMBV2-FE50A	203	78	306	160	96	155	120	4	19

Butt Weld				
Part No.	L	A	H	D
SMBV2-TW15A	190	24	127.5	65
SMBV2-TW16	200	28	137.5	65
SMBV2-TW20A	200	28	137.5	65
SMBV2-TW25A	210	33	154.5	65
SMBV2-TW32A	270	51	240	160
SMBV2-TW40A	270	51	240	160
SMBV2-TW32	270	51	240	160
SMBV2-TW50A	295	61	290	160

*Dimensions and Drawings are for reference only and are subject to change without prior notice.

Ordering Information

Low Pressure Manual Bellows Valves (Forged Type)

*Additional configurations available upon request.

A	BV2	-	B	C	-	D	<div style="display: flex; align-items: center; gap: 5px;"> <div style="width: 15px; height: 10px; background-color: #ADD8E6; border: 1px solid black;"></div> Standard feature </div> <div style="display: flex; align-items: center; gap: 5px; margin-top: 5px;"> <div style="width: 15px; height: 10px; background-color: #FFB6C1; border: 1px solid black;"></div> Optional </div>
SM	BV2		FE	32A		AP	

A	Materials
SM	316L Stainless Steel
DM	316L Stainless Steel VAR
4SS	304 Stainless Steel

B	Connection Type
VM	Male BVC (BMT Vacuum Coupling)
VF	Female BVC (BMT Vacuum Coupling)
S	SUPERLOK Tube Fitting
TW	Butt Weld
VMXVF	In Male-Out Female
FE	Flange

D	Wetted Surface Grade
<i>BA is standard. No part designator needed.</i>	
P	EP
AP	AP

C Connection Size				
ASTM Tube				
Designator	Nominal Size	Outside Diameter	Wall Thickness	
16	1 in.	25.4 mm	1.65 mm	
32	2 in.	50.8 mm	1.65 mm	
JIS Pipe				
Designator	Nominal Size	Outside Diameter	Schedule	Wall Thickness
15A	15A	21.7 mm	SCH 5S	1.65 mm
15AS			SCH 10S	2.10 mm
20A	20A	27.2 mm	SCH 5S	1.65 mm
20AS			SCH 10S	2.80 mm
25A	25A	34.0 mm	SCH 5S	1.65 mm
25AS			SCH 10S	2.80 mm
32A	32A	42.7 mm	SCH 5S	1.65 mm
32AS			SCH 10S	2.80 mm
40A	40A	48.6 mm	SCH 5S	1.65 mm
40AS			SCH 10S	2.80 mm
50A	50A	60.5 mm	SCH 5S	1.65 mm
50AS			SCH 10S	2.80 mm

Part Number Examples

	SMBV2-FE32A		4SSBV2-TW50A-AP	
Material	SM	316L Stainless Steel	4SS	304 Stainless Steel
Series	BV2	BV2 series	BV2	BV2 series
Operation Method	<i>Omit for Manual Valves</i>		<i>Omit for Manual Valves</i>	
Connection Type	FE	Flange	TW	Butt Weld
Connection Size	32A	32A	50A	SCH5S, 50A
Flow Path	<i>Omit for BV2 series</i>		<i>Omit for BV2 series</i>	
Seat Material	PTFE (standard)		PTFE (standard)	
Grade	BA grade (standard)		AP	AP grade

*Dimensions and Drawings are for reference only and are subject to change without prior notice.