

PBV1 Bellows Valves

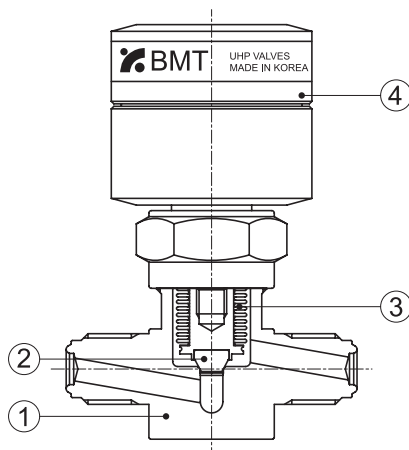
Low Pressure Pneumatic Bellows Valves (Standard Type)



Specifications

Size	1/4"	3/8", 1/2"
Cv Value	0.36	1.1
Orifice Size	4.5 mm	8.0 mm
Max. Working Pressure	10 bar (145 psig)	
Operating Pressure	0.4~0.6 MPa (58~87 psig)	
Working Temperature	PCTFE: -10 ~ 80°C (14 ~ 176°F) / PI: -10 ~ 150°C (14 ~ 302°F)	
Internal Leakage Allowance (He) (Holding Time ≥ 15 sec.)	≤4x10 ⁻⁹ atm.cc/s	
Inboard Leakage Allowance (He) (Holding Time ≥ 15 sec.)	≤4x10 ⁻⁹ atm.cc/s	
Particle Inspection (EP Only) (0.1µm and Larger)	No Count	

Material

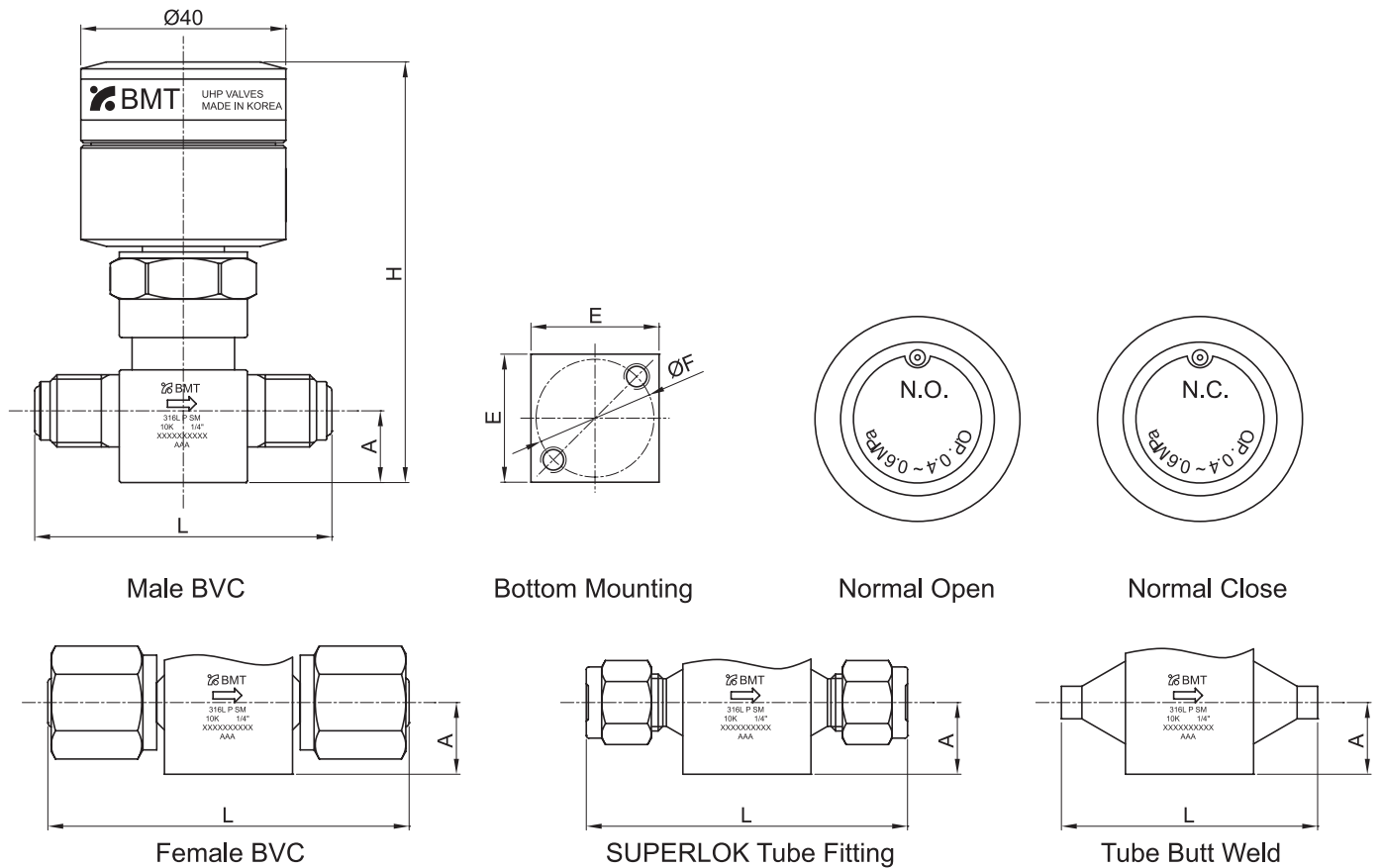


No.	Component	Material
1	Body	316L Stainless Steel
		316L Stainless Steel VAR
2	Seat	304 Stainless Steel
2	Seat	PCTFE (<i>standard</i>) / PI
3	Bellows	PCTFE (<i>standard</i>) / PI
3	Bellows	316L Stainless Steel
4	Actuator	Aluminium

·Dimensions and Drawings are for reference only and are subject to change without prior notice.

1

Dimensions



End Connection	Part No.	Dimensions (mm)				
		L	H	A	E	F (Φ)
Male BVC	SMPBV1C-VM4	58	82.7			
	SMPBV1C-VM6	60	86.6	14	25	23
	SMPBV1C-VM8	60	86.6			
Female BVC	SMPBV1C-VF4	70.5	82.7			
	SMPBV1C-VF6	90	86.6	14	25	23
	SMPBV1C-VF8	90	86.6			
SUPERLOK Tube Fitting	SMPBV1C-S4	65	82.7			
	SMPBV1C-S6	78	86.6	14	25	23
	SMPBV1C-S8	83.4	86.6			
Tube Butt Weld	SMPBV1C-TW4	150	82.7			
	SMPBV1C-TW6	150	86.6	14	25	23
	SMPBV1C-TW8	150	86.6			

*Dimensions and Drawings are for reference only and are subject to change without prior notice.

Ordering Information

Low Pressure Pneumatic Bellows Valves (Standard Type)

*Additional configurations available upon request.

A	PBV1	B	-	C	D	-	E	-	F	Standard feature
SM	PBV1	C	-	VM	4	-	PI	-	P	Optional

A	Materials
SM	316L Stainless Steel
DM	316L Stainless Steel VAR
4SS	304 Stainless Steel

B	Operation Method
Add an operation method designator for Pneumatic Valves .	
C	Normally Closed
O	Normally Open

C	Connection Type
VM	Male BVC (BMT Vacuum Coupling)
VF	Female BVC (BMT Vacuum Coupling)
S	SUPERLOK Tube Fitting
TW	Butt Weld
VMXVF	In Male-Out Female

D	Connection Size		
Tube			
Designator	Nominal Size	Outside Diameter	Wall Thickness
4	1/4 in.	6.35 mm	1.00 mm
6	3/8 in.	9.53 mm	1.00 mm
8	1/2 in.	12.7 mm	1.24 mm

E	Seat Material
PCTFE is standard. No part designator needed.	
PI	Polyimide

F	Wetted Surface Grade
BA is standard. No part designator needed.	
P	EP
AP	AP

Part Number Examples

	SMPBV1C-VM4-PI-P		4SSPBV10-TW6-AP	
Material	SM	316L Stainless Steel	4SS	304 Stainless Steel
Series	PBV1	PBV1 series	PBV1	PBV1 series
Operation Method	C	Normally Closed	O	Normally Open
Connection Type	VM	BVC Male	TW	Butt Weld
Connection Size	4	1/4"	6	3/8"
Flow Path	Omit for PBV1 series		Omit for PBV1 series	
Seat Material	PI	Polyimide	PCTFE (standard)	
Grade	P	EP grade	AP	AP grade

*Dimensions and Drawings are for reference only and are subject to change without prior notice.