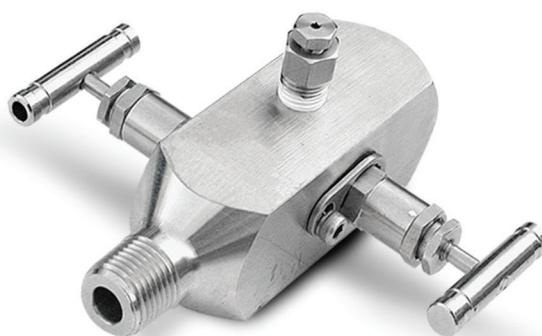
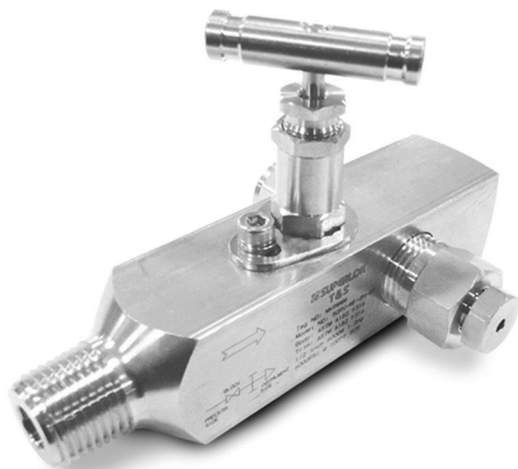


# Instrumentation Gauge Valves

## SGBV / SGBV2 Series



### Features

- Stainless Steel construction.
- 1/2 in. and 3/4 in. male to 1/2 in. female end connections.
- 1/2 in. female gauge ports as standard.

### Specifications

- Maximum Working Pressure Rating: 6000 psig (413 bar) @100°F(38°C)
- Temperature Rating: -65 to 450°F (-54 to 232 °C) with PTFE packing
- Body Material: 316 Stainless Steel
- Orifice: 0.125 in. (3.2mm), 0.250 in. (6.4mm)

### Testing

- Each Valve is tested with nitrogen at 1000psig(69bar) to maximum allowable leak rate of 0.1 SCCM.
- Hydrostatic shell test is performed at 1.5 times of the working pressure (Optional).

### Ordering Information

**Example :**      **SGBV - M 8N - F 8N - M40**

1
2
3
2
3
4

#### 1. Valve Series

- SGBV = Gauge
- SGRV = Gauge Root Valve
- SGBV2 = Gauge 2-Valve

#### 2. End Connection Type

- M = Male Pipe Thread
- F = Female Pipe Thread

#### 3. Port Size

Size (inch)	1/4	3/8	1/2	3/4
Screwed NPT	4N	6N	8N	12N
Screwed BSPT	4R	6R	8R	12R

#### 4. Body Material

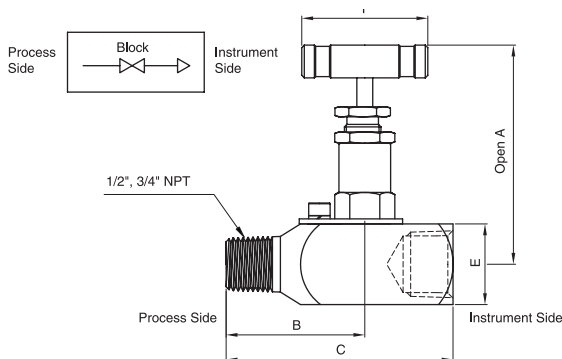
- (Blank) = 316 Stainless Steel
- M40 = Alloy (Monel)

※ For special sizes and configurations, please consult BMT (SUPERLOK) sales representative.

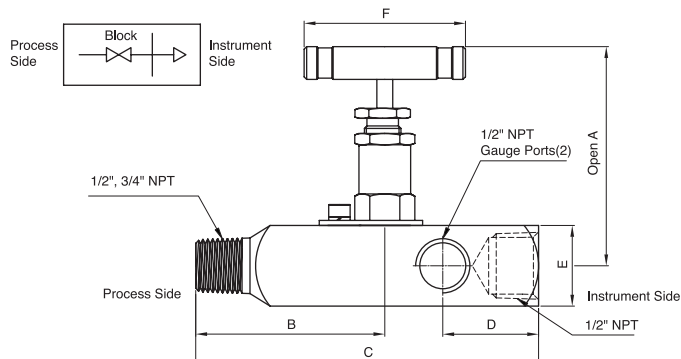
- Components can limit the pressure and temperature ranges of the valve. Please consult BMT (SUPERLOK) sales representative for your specific application.

## Table of Dimensions

### SGBV (Gauge Valve)

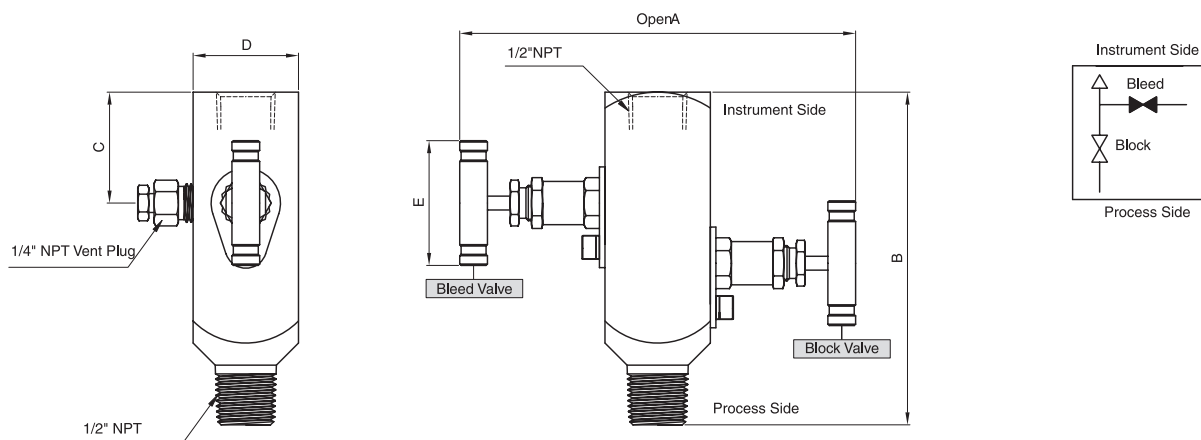


### SGRV (Gauge Root Valve)



Part No.	End Connections		Dimensions (mm)					
	Process	Instrument	A	B	C	D	E	F
SGBV-M8N-F8N	1/2" Male NPT	1/2" Female NPT	68.4	54.0	90.0	-	32.0	45.0
SGBV-M12N-F8N	3/4" Male NPT	1/2" Female NPT						
SGRV-M8N-F8N	1/2" Male NPT	1/2" Female NPT	68.4	75.0	136.0	38.1	32.0	45.0
SGRV-M12N-F8N	3/4" Male NPT	1/2" Female NPT						

### SGBV2 (Gauge 2-Valve)



Part No.	End Connections		Dimensions (mm)				
	Process	Instrument	A	B	C	D	E
SGBV2-M8N-F8N	1/2" Male NPT	1/2" Female NPT	142	120	40	38	45

- Dimensions and Drawings are for reference only and are subject to change without prior notice.
- Unless otherwise specified, all dimensions are in millimeters.
- Sizes, pressure classes, and end connections not listed are available upon request.
- Dimensions shown with SUPERLOK nuts finger-tight, where applicable.