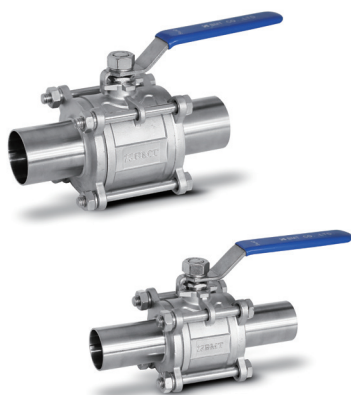


Three-Piece Ball Valves

BLV1 Series



- High flow capacity
- High cycle-life performance
- 3-piece construction for ease of maintenance
- Butt weld end connections from 15A up to 100A
- 100% Helium leak tested
- AP, MP, BA, EP grades available

Specifications

Size	15A	20A	25A	32A	40A	50A	65A	80A	100A
Cv Value	41	75	120	202	299	529	932	1448	2317
Max. Working Pressure	10 bar (145 psig)								
Working Temperature	-10~80°C (14~176°F)								
Internal Leakage Allowance (He) (Holding Time ≥ 15 sec.)	≤1x10 ⁻⁵ atm.cc/s								
External Leakage Allowance (He) (Holding Time ≥ 1 min.)	≤1x10 ⁻⁵ atm.cc/s								

Ordering Information

*Additional configurations available upon request.

A	BLV1	-	TW	B	-	C
SM	BLV1	-	TW	15A	-	P

A	Materials
SM	316L Stainless Steel
4SS	304 Stainless Steel

B	Connection Size				
JIS Pipe					
Designator	Normal Size	Outside Diameter	Schedule	Wall Thickness	
15A	15A	21.7 mm	SCH 5S	1.65	
15AS			SCH 10S	2.10	
20A	20A	27.2 mm	SCH 5S	1.65	
20AS			SCH 10S	2.10	
25A	25A	34.0 mm	SCH 5S	1.65	
25AS			SCH 10S	2.80	
32A	32A	42.7 mm	SCH 5S	1.65	
32AS			SCH 10S	2.80	
40A	40A	48.6 mm	SCH 5S	1.65	
40AS			SCH 10S	2.80	

B	Connection Size (Continued)				
JIS Pipe					
Designator	Normal Size	Outside Diameter	Schedule	Wall Thickness	
50A	50A	60.5 mm	SCH 5S	1.65	
50AS			SCH 10S	2.80	
65A	65A	76.3 mm	SCH 5S	2.10	
65AS			SCH 10S	3.00	
80A	80A	89.1 mm	SCH 5S	2.10	
80AS			SCH 10S	3.00	
100A	100A	114.3 mm	SCH 5S	2.10	
100AS			SCH 10S	3.00	

C	Wetted Surface Grade	
P	EP Grade	
BA	BA Grade	
MP	MP Grade	
AP	AP Grade	

NOTE:

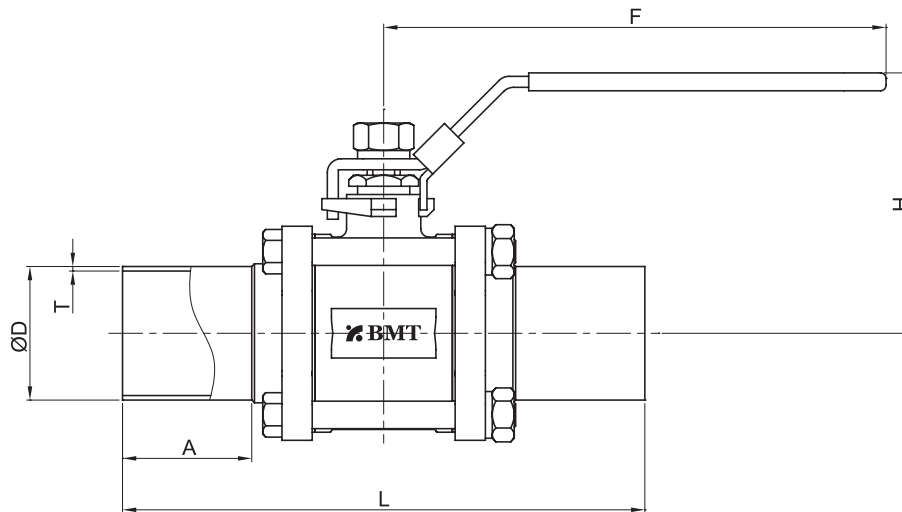
- Dimensions and Drawings are for reference only and are subject to change without prior notice.
- Unless otherwise specified, all dimensions are in millimeters.

Three-Piece Ball Valves

Part Number Examples

	SMBLV1-TW15AS-P		4SSBLV1-TW40A-BA	
Materials	SM	316L Stainless Steel	4SS	304 Stainless Steel
Product Type	BLV1	BVL1 series	BLV1	BVL1 series
Connection Type	TW	Butt Weld	TW	Butt Weld
Connection Size	15AS	SCH 10S, 15A	40A	SCH 5S, 40A
Grade	P	EP grade	BA	BA grade

Dimensions



Size	End Connection	Dimensions						
		D	A	H	F	T		L
						SCH 5S	SCH 10S	
15A	15A Pipe	21.7	37	58	101	1.65	2.1	140
20A	20A Pipe	27.2	37	58	101	1.65	2.1	140
25A	25A Pipe	34.0	37	70	153	1.65	2.8	186
32A	32A Pipe	42.7	47	95	183	1.65	2.8	190
40A	40A Pipe	48.6	47	95	183	1.65	2.8	190
50A	50A Pipe	60.5	47	105	183	1.65	2.8	212
65A	65A Pipe	76.3	52	143	256	2.10	3.0	250
80A	80A Pipe	89.1	52	154	256	2.10	3.0	258
100A	100A Pipe	114.3	52	167	302	2.10	3.0	326

NOTE:

·Dimensions and Drawings are for reference only and are subject to change without prior notice.

·Unless otherwise specified, all dimensions are in millimeters.