

# 4G Solar-powered Traffic Sensing Camera

**NDAA** 



4G

Solar-powered



4G



Solar-powered



Object Capture



IP66



Radar Trigger



For Web GUI Configuration

**DATASHEET**

## KEY FEATURES

- ▶ **NDAA Compliance** (The fully NDAA-compliant products are well suited for government, defense and a range of projects subject to the NDAA.)
- ▶ **Radar Trigger and Quick Start Capture** (Camera can capture high-accuracy images by Radar Trigger technology and intelligent algorithm confirmation. And Quick Start Capture technology ensures timely capture.)
- ▶ **Wi-Fi Supported** (Equipped with Wi-Fi for web GUI configuration.)
- ▶ **High Compatibility** (Snapshots and information captured by the camera can be pushed to the back-end software using MQTT.)
- ▶ **Easy & Convenient Configuration** (WLAN connection allows user to quickly configure the camera on the mobile device web.)

### 4G Technology

The cost of installing network cables can be reduced thanks to 4G technology, which also allows convenient mobility. Additionally, the backing of Verizon, T-Mobile, and AT&T offers customers a range of carrier options to suit their demands.



### Solar Power Supported

The camera can not only eliminate the tedious wiring process, but also get uninterrupted power outdoors by pairing the cameras with solar panels. In addition, it is equipped with battery and USB Type-C charging port to provide abundant power support, ensuring the uninterrupted operation of the camera.



### Low Power Consumption

The camera can automatically switch between the low-power operation mode and the working mode according to the environmental conditions, which ensures that the device can be used for a long time and meet diverse environments such as continuous rainy days.



### Excellent Structural Design

The camera is independently developed and designed by engineers and has excellent structural performance. Differentiated appearance design has better concealment. The anti-theft mounting design ensures the security of the camera. And it is also equipped with brackets to adapt to a variety of installation conditions.



# 4G Solar-powered Traffic Sensing Camera

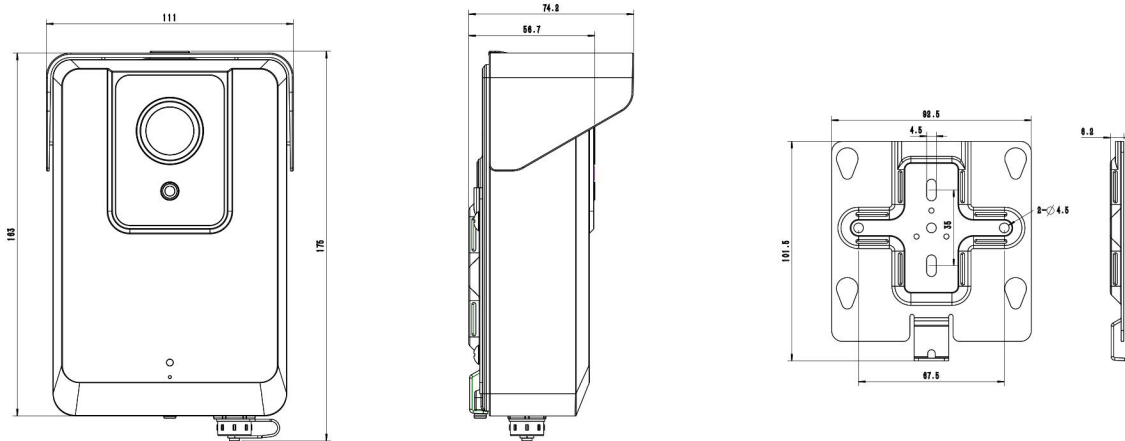
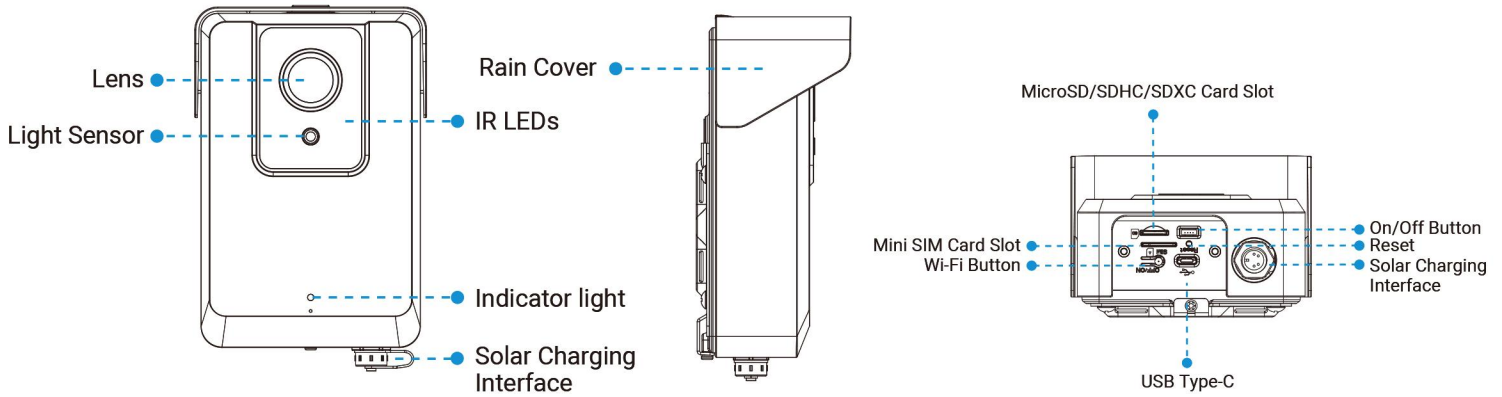


Model		SC211-NA/EU/AU (2MP)	
Capture Performance	Capture Rate	≥95%	
	Optimal Capture Distance	6m (With 6mm lens) 15m~20m (With 16mm lens)	
	Capture Range	3~15m (With 6mm lens) 10~25m (With 16mm lens)	
	Nighttime Illumination Distance	Up to 15m (With 6mm lens) Up to 25m (With 16mm lens)	
	Capture Speed	Be recommended to use when the vehicle speed <30km/h (With 6mm lens); Be recommended to use when the vehicle speed <70km/h (With 16mm lens)	
Wireless Network	WLAN	802.11n/802.11b/802.11g	
	Cellular	4G LTE NA: B2/B4/B5/B12/B13/B25/B26 EU: B1/B3/B7/B8/B20/B28 AU: B1/B2/B3/B4/B5/B7/B8/B28/B66	
	SIM Card	Mini SIM	
Camera	Image Sensor	1/2.8" Progressive Scan CMOS	
	Day/Night Mode	Day/Night/Auto	
Lens	Lens	16mm/6mm	
	Field of View	H19.4° /D22.2° /V11° (16mm) H52.8°/D60.4°/V29.7° (6mm)	
Image	Max. Resolution	1920×1080	
	Image Setting	Brightness/Contrast/Saturation/Sharpness	
General	GPS	Built-in High-accuracy GPS Module	
	Radar Working Frequency	24GHz	
	Protocol	MQTT	
	Storage	Support microSD/SDHC/SDXC Card Local Storage, up to 256G	
	Solar Power	Power	≥35W
		OCV	<22V
		Connector	MC4
	Direct & Battery Power	Power Supply	USB Type-C
		Battery	Single Cell Battery: 3.2V, 3200mAh, 10.24Wh Total: 7.2V, 6400mAh, 46.08Wh
		Battery Life	The power is 70% after 500 times of accumulative charging and discharging
	Power Consumption	0.33W Normal (Detection Status) 1.35W Normal (Capture Status) 11W MAX (Night Capture Status)	
	Weather Proof	IP66	
	Operational Temperature	-20°C ~60°C	
	Weight	612g 790g (With the Battery)	
	Rain Cover Movement Distance	10mm	
Dimensions	175mmX111mmX56.7mm(Without Rain Cover)		
Warranty	2 Years		

# 4G Solar-powered Traffic Sensing Camera



## Structure Diagrams



Units: mm

## Accessories Support

3-Axis Ball Mounting Bracket

Weight: 186g  
Dimensions: 80\*80\*49mm



**Milesight** | [www.milesight.com](http://www.milesight.com)

Contact Us: [sales@milesight.com](mailto:sales@milesight.com) [support@milesight.com](mailto:support@milesight.com)

Add: 220 NE 51st Street, Oakland Park, Florida 33334, USA  
Tel: +1-800-561-0485

Add: 925, Anyang SK V1 Center, LS-ro 116beon-gil, Dongan-gu, Anvang-si, Korea  
Tel: +82-31-990-7732

Add: Building C09, Software Park Phase III, Xiamen 361024, Fujian, China  
Tel: +86-592-5922772

