



CUBEMAX
RESOURCES

FULL SEPT

HDPE SEPTIC TANK



FEATURES & ADVANTAGES

- ★ Premium engineering grade material for corrosion proof, lightweight, robust and impact resistant product.
- ★ High efficiency filtration and non-clogging of effluent.
- ★ Advanced molding manufacturing process.
- ★ Environmentally safe.
- ★ Easy and fast to installation.
- ★ Approved to Malaysia standard MS 2441-1 : 2012.

Certificated & Approved by



MALAYSIA
MS1221:PM1:2007

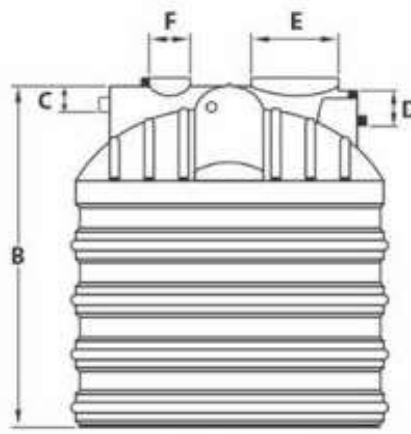


BUATAN MALAYSIAN
MADE IN MALAYSIA

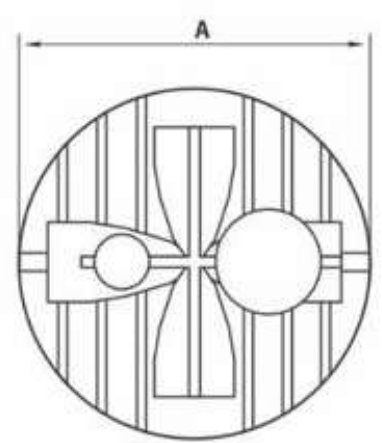


FULL SEPT

HDPE SEPTIC TANK



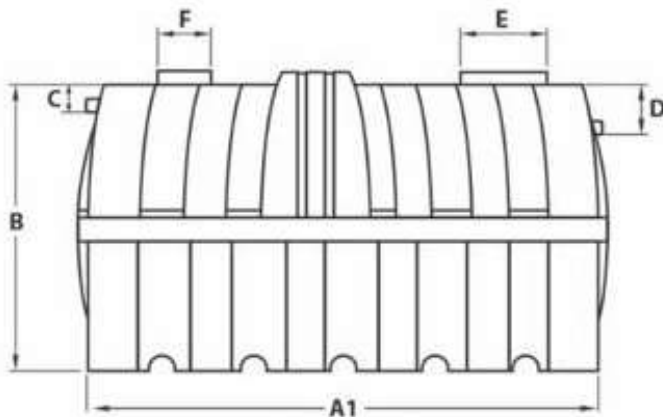
SIDE VIEW



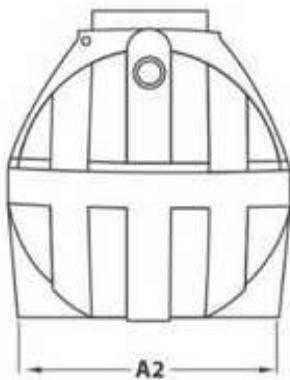
TOP VIEW

VERTICAL

Model		FS 6	FS 8	FS 11	FS 16	FS 20	FS 23	FS 27	FS 30
TYPE		VERTICAL	VERTICAL	VERTICAL	VERTICAL	VERTICAL	VERTICAL	VERTICAL	VERTICAL
POPULATION EQUIVALENT		5 - 6	7 - 8	9 - 11	12 - 16	17 - 20	21 - 23	24 - 27	28 - 30
EFFECTIVE VOLUME	Litres	2100	2550	3400	5100	6100	7100	8400	10900
INLET/OUTLET DIAMETER	mm	100	100	100	100	100/150	100/150	100/150	100/150
DETENTION TIME	Hours	>24	>24	>24	>24	>24	>24	>24	>24
SEPTIC TANK DIMENSION									
A	mm(d)	1430	1430	1830	1830	2150	2150	2300	2300
B	mm	1550	1760	1760	2083	1900	2300	2500	2910
C	mm	179	179	179	179	231	231	231	231
D	mm	254	254	254	254	306	306	306	306
E	mm(d)	450	450	450	450	600	600	600	600
F	mm(d)	310	310	310	310	310	310	310	310



FRONT VIEW



SIDE VIEW

HORIZONTAL

Model		FSR 6	FSR 8
TYPE		HORIZONTAL	HORIZONTAL
POPULATION EQUIVALENT		5 - 6	7 - 8
EFFECTIVE VOLUME	Litres	2100	2550
INLET/OUTLET DIAMETER	mm	100	100
DETENTION TIME	Hours	>24	>24
SEPTIC TANK DIMENSION			
A1	mm(L)	1980	2100
A2	mm(W)	1000	1100
B	mm	1060	1200
C	mm	179	210
D	mm	254	300
E	mm(d)	450	450
F	mm(d)	310	310

- Diagram above is for illustration purpose only and is not to scale.
- Alternative inlet positions are provided to suit site requirements.
- Effluent to (Standard B-Environmental) Quality (Sewage and Industrial Effluents) Regulation, 1979.

Dimensions and capacities of products are approximate due to manufacturing process.

KUMI reserves the right to change or update.

- without notice any information contained in this catalogue.
- to change without notice the design, construction, materials, processing, or specification of the products; and to discontinue or limit production or distribution of any products.

Distributor by:



CUBEMAX
RESOURCES