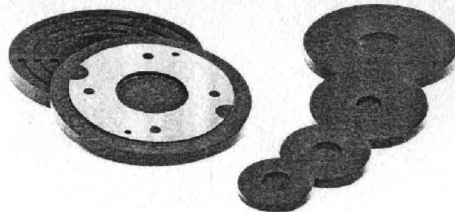
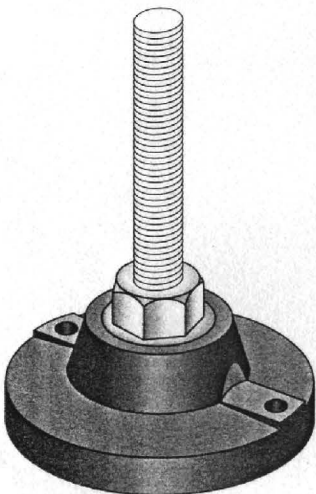
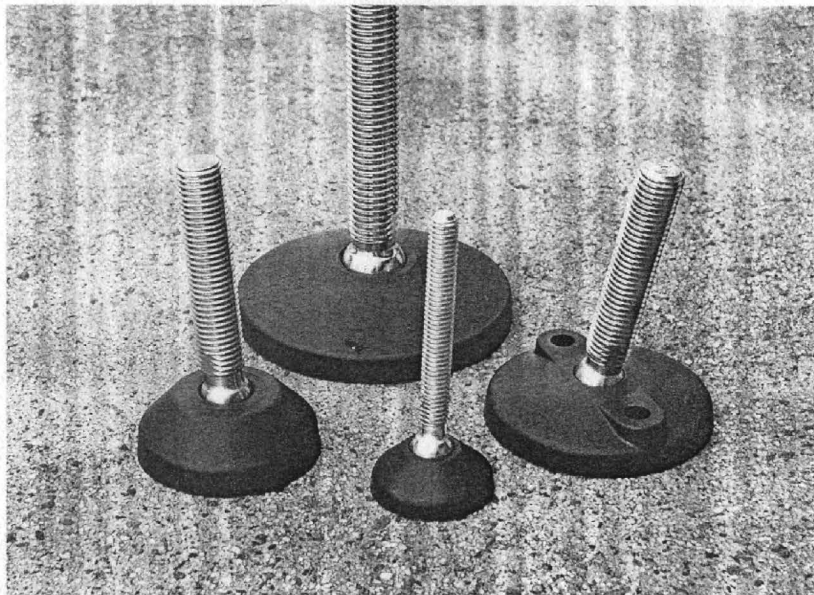
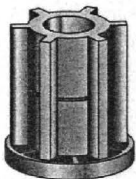
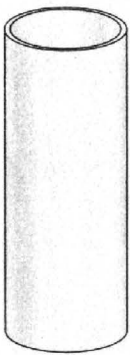
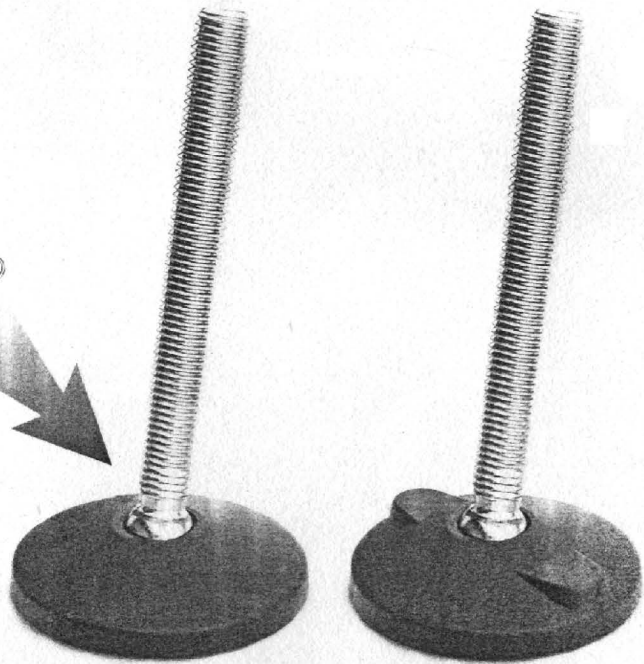
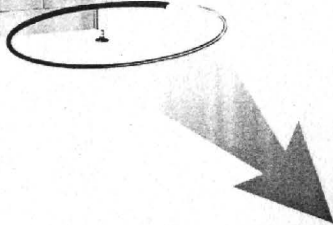
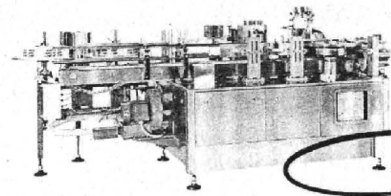


Levelers



NOLU PLASTICS

Copyright © 2004 Solus Industrial Innovations, LLC. All Rights Reserved.

VALU
GUIDE



WHEELER MECTRADE (S) PTE LTD
Tel: 65-6563 8501 Fax: 65-6560 4853
Email: wheelermectrade@singnet.com.sg



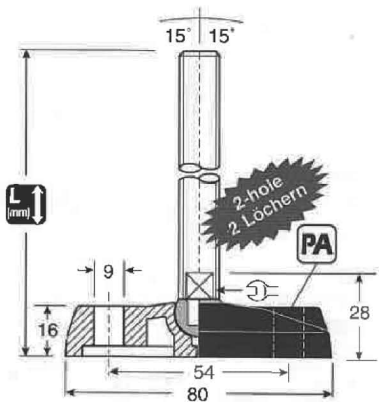
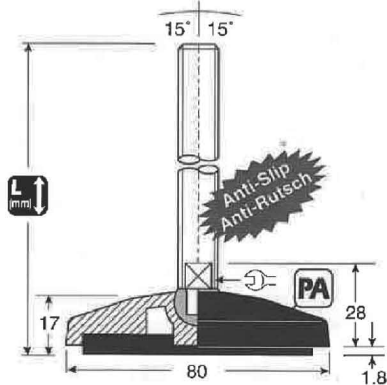
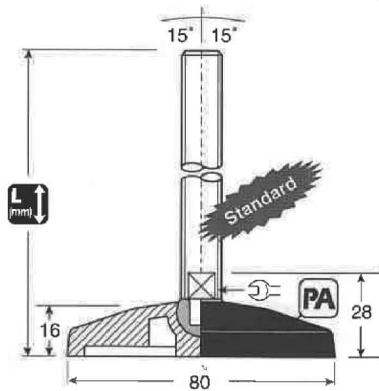
WHEELER MECTRADE SDN BHD (719740X)
Tel: 07-861 5692 Fax: 07-861 4692 H/P: 012-7019 130
Email: sales@wheelermectrade.com.my

Levelers • Gelenkfüße

505

Articulating Leveler
Gelenkfüß

MAX
10000 N



		L (mm)	Stem Material Spindelmaterial		
M10	95	VG-505-01-SM10-L095	VG-505-01-PM10-L095	10	
M12	95	VG-505-01-SM12-L095	VG-505-01-PM12-L095	10	
M12	150	VG-505-01-SM12-L150	VG-505-01-PM12-L150	10	
M16	95	VG-505-01-SM16-L095	VG-505-01-PM16-L095	10	
M16	150	VG-505-01-SM16-L150	VG-505-01-PM16-L150	10	

Anti-slip version with rubber disc
Rutschfeste Ausführung mit Gummi Scheibe

M10	96	VG-505-R1-SM10-L096	VG-505-R1-PM10-L096	10
M12	96	VG-505-R1-SM12-L096	VG-505-R1-PM12-L096	10
M12	151	VG-505-R1-SM12-L151	VG-505-R1-PM12-L151	10
M16	96	VG-505-R1-SM16-L096	VG-505-R1-PM16-L096	10
M16	151	VG-505-R1-SM16-L151	VG-505-R1-PM16-L151	10

2-hole version
Version mit 2 Löchern

M10	95	VG-505-02-SM10-L095	VG-505-02-PM10-L095	10
M12	95	VG-505-02-SM12-L095	VG-505-02-PM12-L095	10
M12	150	VG-505-02-SM12-L150	VG-505-02-PM12-L150	10
M16	95	VG-505-02-SM16-L095	VG-505-02-PM16-L095	10
M16	150	VG-505-02-SM16-L150	VG-505-02-PM16-L150	10

NOLU PLASTICS

VALU
GUIDE

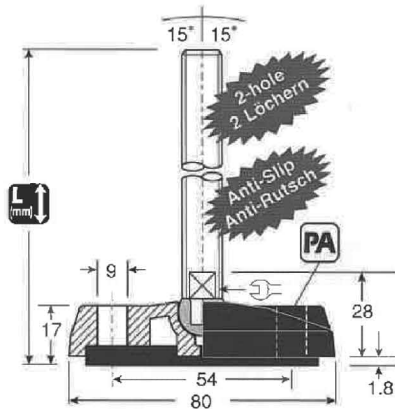


WHEELER MECTRADE (S) PTE LTD
Tel: 65-6563 8501 Fax: 65-6560 4853
Email: wheelermectrade@singnet.com.sg



WHEELER MECTRADE SDN BHD (719740X)
Tel: 07-861 5692 Fax: 07-861 4692 H/P: 012-7019 130
Email: sales@wheelermectrade.com.my

Levelers • Gelenkfüße

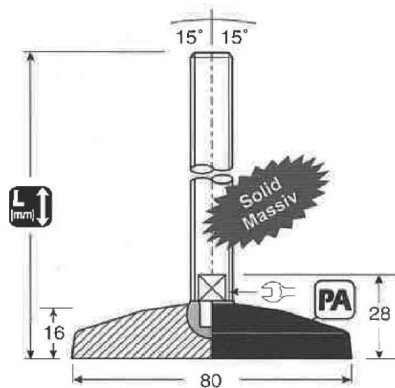


Stem Material
Spindelmaterial



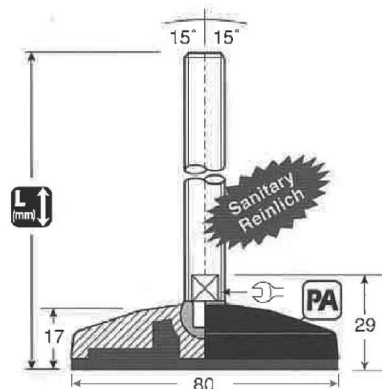
2-hole, anti-slip version
Rutschfeste Ausführung mit 2 Löchern und Gummi Scheibe

M10	96	VG-505-R2-SM10-L096	VG-505-R2-PM10-L096	10
M12	96	VG-505-R2-SM12-L096	VG-505-R2-PM12-L096	10
M12	151	VG-505-R2-SM12-L151	VG-505-R2-PM12-L151	10
M16	96	VG-505-R2-SM16-L096	VG-505-R2-PM16-L096	10
M16	151	VG-505-R2-SM16-L151	VG-505-R2-PM16-L151	10



Solid version
Ausführung mit Fußplatte aus Vollmaterial

M10	95	VG-505-D1-SM10-L095	VG-505-D1-PM10-L095	10
M12	95	VG-505-D1-SM12-L095	VG-505-D1-PM12-L095	10
M12	150	VG-505-D1-SM12-L150	VG-505-D1-PM12-L150	10
M16	95	VG-505-D1-SM16-L095	VG-505-D1-PM16-L095	10
M16	150	VG-505-D1-SM16-L150	VG-505-D1-PM16-L150	10



Version with urethane filled base
Ausführung mit Fußplatte gefüllt mit Uretan

M10	98	VG-505-U1-SM10-L098	VG-505-U1-PM10-L098	10
M12	98	VG-505-U1-SM12-L098	VG-505-U1-PM12-L098	10
M12	153	VG-505-U1-SM12-L153	VG-505-U1-PM12-L153	10
M16	98	VG-505-U1-SM16-L098	VG-505-U1-PM16-L098	10
M16	153	VG-505-U1-SM16-L153	VG-505-U1-PM16-L153	10

NOLU PLASTICS

VALU GUIDE



WHEELER MECTRADE (S) PTE LTD
Tel: 65-6563 8501 Fax: 65-6560 4853
Email: wheelermectrade@singnet.com.sg



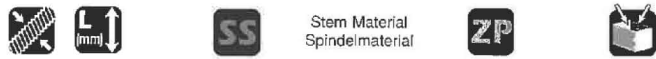
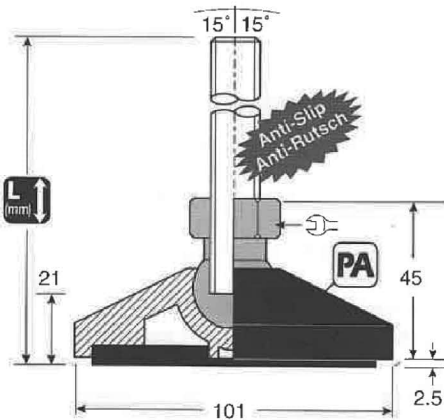
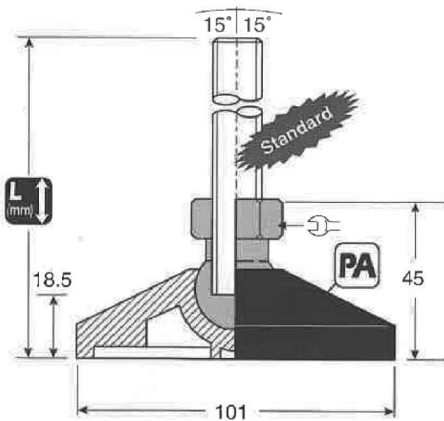
WHEELER MECTRADE SDN BHD
Tel: 07-861 5692 Fax: 07-861 4692 H/P: 012-7019 130
Email: sales@wheelermectrade.com.my

Levelers • GelenkfüÙe

511

Articulating Leveler
GelenkfüÙ

 12000 N



M12	114	VG-511-N01-SM12-L114	VG-511-N01-PM12-L114	10
M12	157	VG-511-N01-SM12-L157	VG-511-N01-PM12-L157	10
M16	114	VG-511-N01-SM16-L114	VG-511-N01-PM16-L114	10
M16	157	VG-511-N01-SM16-L157	VG-511-N01-PM16-L157	10
M16	195	VG-511-N01-SM16-L195	VG-511-N01-PM16-L195	10
M20	119	*VG-511-01-SM20-L119	*VG-511-01-PM20-L119	10
M20	157	VG-511-N01-SM20-L157	VG-511-N01-PM20-L157	10
M20	195	VG-511-N01-SM20-L195	VG-511-N01-PM20-L195	10
M24	119	*VG-511-01-SM24-L119	*VG-511-01-PM24-L119	10
M24	185	*VG-511-01-SM24-L185	*VG-511-01-PM24-L185	10

Anti-slip version with rubber disc
Rutschfeste Ausführung mit Gummi Scheibe

M12	117	VG-511-NR1-SM12-L117	VG-511-NR1-PM12-L117	10
M12	160	VG-511-NR1-SM12-L160	VG-511-NR1-PM12-L160	10
M16	117	VG-511-NR1-SM16-L117	VG-511-NR1-PM16-L117	10
M16	160	VG-511-NR1-SM16-L160	VG-511-NR1-PM16-L160	10
M16	198	VG-511-NR1-SM16-L198	VG-511-NR1-PM16-L198	10
M20	122	*VG-511-R1-SM20-L122	*VG-511-R1-PM20-L122	10
M20	160	VG-511-NR1-SM20-L160	VG-511-NR1-PM20-L160	10
M20	198	VG-511-NR1-SM20-L198	VG-511-NR1-PM20-L198	10
M24	122	*VG-511-R1-SM24-L122	*VG-511-R1-PM24-L122	10
M24	188	*VG-511-R1-SM24-L188	*VG-511-R1-PM24-L188	10



* 01, R1, D1, U1 type of joint.
01, R1, D1, U1 Typ Gelenk.

NOLU PLASTICS

VALU
GUIDE



WHEELER MECTRADE (S) PTE LTD
Tel: 65-6563 8501 Fax: 65-6560 4853
Email: wheelermectrade@singnet.com.sg



WHEELER MECTRADE SDN BHD (7197400)
Tel: 07-861 5692 Fax: 07-861 4692 H/P: 012-7019 130
Email: sales@wheelermectrade.com.my

Levelers • Gelenkfüße

520

Support Leveler
Fußplatte aus Kunststoff



32000 N



Stem Material
Spindelmaterial



M20	152	VG-520-02-SM20-L152	VG-520-02-PM20-L152	4
M20	190	VG-520-02-SM20-L190	VG-520-02-PM20-L190	4
M24	190	VG-520-02-SM24-L190	VG-520-02-PM24-L190	4
M24	256	VG-520-02-SM24-L256	VG-520-02-PM24-L256	4

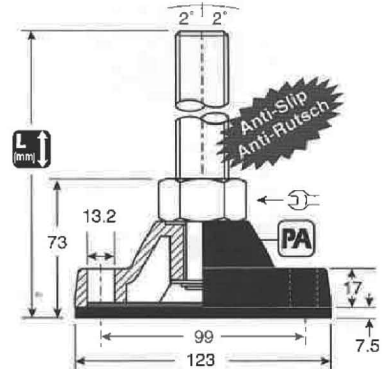
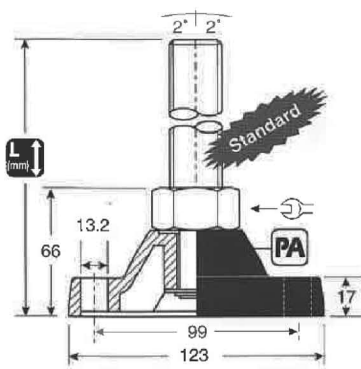
Anti-slip version with rubber disc
Rutschfeste Ausführung mit Gummi Scheibe

M20	159	VG-520-R2-SM20-L159	VG-520-R2-PM20-L159	4
M20	197	VG-520-R2-SM20-L197	VG-520-R2-PM20-L197	4
M24	197	VG-520-R2-SM24-L197	VG-520-R2-PM24-L197	4
M24	263	VG-520-R2-SM24-L263	VG-520-R2-PM24-L263	4



Vibration pad is reinforced with a metal plate.

Die Anti-Rutschscheibe aus Gummi ist verstärkt mit einer Stahlplatte.



520-K

Support Leveler
Fußplatte aus Kunststoff



32000 N



Stem Material
Spindelmaterial



M20	190	VG-520-K02-SM20-L190	VG-520-K02-PM20-L190	4
M24	190	VG-520-K02-SM24-L190	VG-520-K02-PM24-L190	4

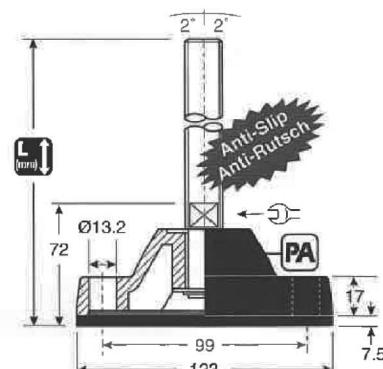
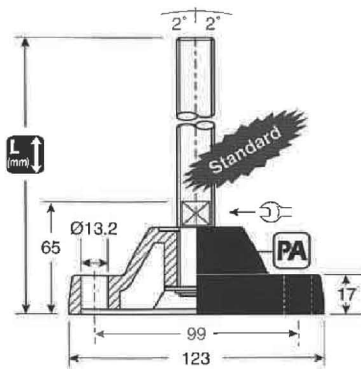
Anti-slip version with rubber disc
Rutschfeste Ausführung mit Gummi Scheibe

M20	197	VG-520-KR2-SM20-L197	VG-520-KR2-PM20-L197	4
M24	197	VG-520-KR2-SM24-L197	VG-520-KR2-PM24-L197	4



Vibration pad is reinforced with a metal plate.

Die Anti-Rutschscheibe aus Gummi ist verstärkt mit einer Stahlplatte.



NOLU PLASTICS

VALU
GUIDE



WHEELER MECTRADE (S) PTE LTD

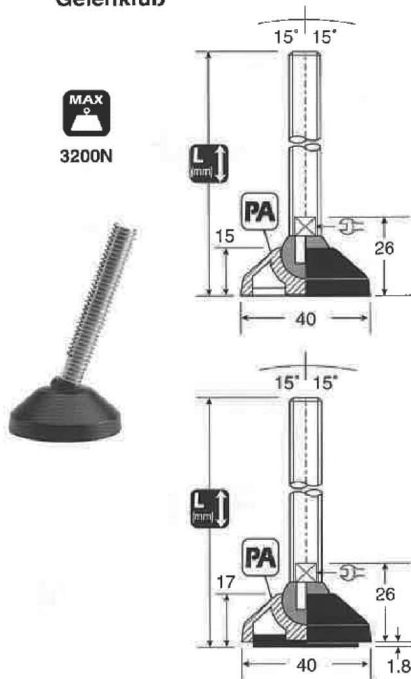
Tel: 65-6563 8501 Fax: 65-6560 4853
Email: wheelermectrade@singnet.com.sg



WHEELER MECTRADE SDN BHD

Tel: 07-861 5692 Fax: 07-861 4692 H/P: 012-7019 130
Email: sales@wheelermectrade.com.my

533 Articulating Leveler
Gelenkfuß

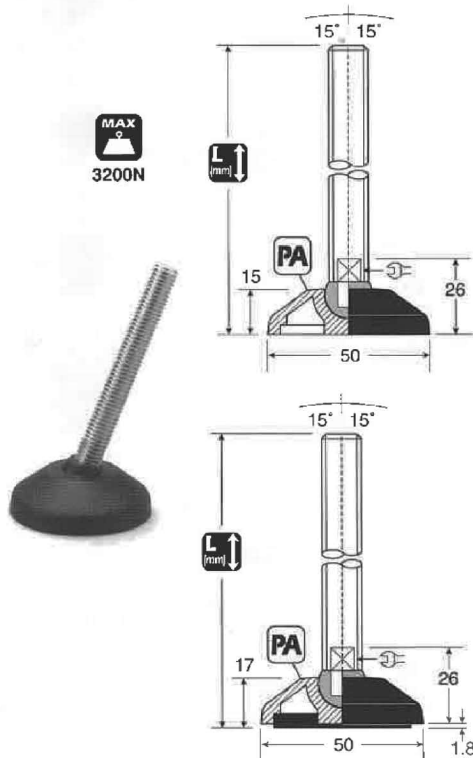


			Stem Material Spindelmaterial	
M10	95	VG-533-01-SM10-L095	VG-533-01-PM10-L095	20
M12	95	VG-533-01-SM12-L095	VG-533-01-PM12-L095	20
M12	150	VG-533-01-SM12-L150	VG-533-01-PM12-L150	20
M16	95	VG-533-01-SM16-L095	VG-533-01-PM16-L095	20
M16	150	VG-533-01-SM16-L150	VG-533-01-PM16-L150	20

Anti-slip version with rubber disc
Rutschfeste Ausführung mit Gummi Scheibe

M10	96	VG-533-R1-SM10-L096	VG-533-R1-PM10-L096	20
M12	96	VG-533-R1-SM12-L096	VG-533-R1-PM12-L096	20
M12	151	VG-533-R1-SM12-L151	VG-533-R1-PM12-L151	20
M16	96	VG-533-R1-SM16-L096	VG-533-R1-PM16-L096	20
M16	151	VG-533-R1-SM16-L151	VG-533-R1-PM16-L151	20

537 Articulating Leveler
Gelenkfuß



			Stem Material Spindelmaterial	
M10	95	VG-537-01-SM10-L095	VG-537-01-PM10-L095	20
M12	95	VG-537-01-SM12-L095	VG-537-01-PM12-L095	20
M12	150	VG-537-01-SM12-L150	VG-537-01-PM12-L150	20
M16	95	VG-537-01-SM16-L095	VG-537-01-PM16-L095	20
M16	150	VG-537-01-SM16-L150	VG-537-01-PM16-L150	20

Anti-slip version with rubber disc
Rutschfeste Ausführung mit Gummi Scheibe

M10	96	VG-537-R1-SM10-L096	VG-537-R1-PM10-L096	20
M12	96	VG-537-R1-SM12-L096	VG-537-R1-PM12-L096	20
M12	151	VG-537-R1-SM12-L151	VG-537-R1-PM12-L151	20
M16	96	VG-537-R1-SM16-L096	VG-537-R1-PM16-L096	20
M16	151	VG-537-R1-SM16-L151	VG-537-R1-PM16-L151	20

NOLU PLASTICS

VALU
GUIDE



WHEELER MECTRADE (S) PTE LTD
Tel: 65-6563 8501 Fax: 65-6560 4853
Email: wheelermectrade@singnet.com.sg

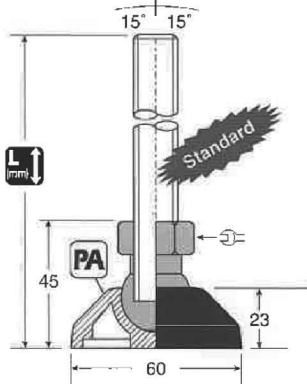


WHEELER MECTRADE SDN BHD
Tel: 07-861 5692 Fax: 07-861 4692 H/P: 012-7019 130
Email: sales@wheelermectrade.com.my

Levelers • GelenkfüÙe

501

Articulating Leveler GelenkfüÙ

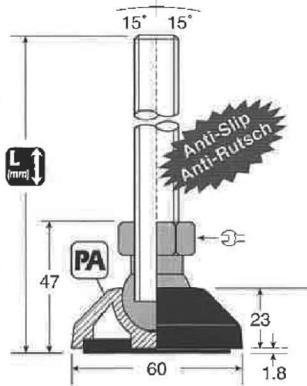


Stem Material
Spindelmaterial



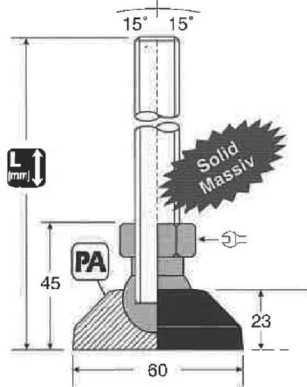
M12	115	VG-501-N01-SM12-L115	VG-501-N01-PM12-L115	10
M12	158	VG-501-N01-SM12-L158	VG-501-N01-PM12-L158	10
M16	115	VG-501-N01-SM16-L115	VG-501-N01-PM16-L115	10
M16	158	VG-501-N01-SM16-L158	VG-501-N01-PM16-L158	10
M16	196	VG-501-N01-SM16-L196	VG-501-N01-PM16-L196	10
M20	120	*VG-501-01-SM20-L120	*VG-501-01-PM20-L120	10
M20	158	VG-501-N01-SM20-L158	VG-501-N01-PM20-L158	10
M20	196	VG-501-N01-SM20-L196	VG-501-N01-PM20-L196	10
M24	120	*VG-501-01-SM20-L120	*VG-501-01-PM20-L120	10
M24	186	*VG-501-01-SM20-L186	*VG-501-01-PM20-L186	10

Anti-slip version with rubber disc Rutschfeste Ausführung mit Gummi Scheibe



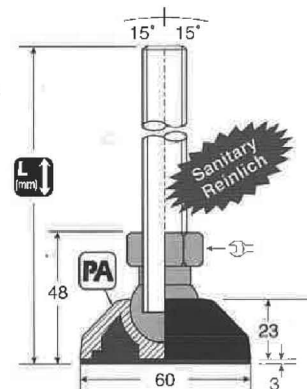
M12	117	VG-501-NR1-SM12-L117	VG-501-NR1-PM12-L117	10
M12	160	VG-501-NR1-SM12-L160	VG-501-NR1-PM12-L160	10
M16	117	VG-501-NR1-SM16-L117	VG-501-NR1-PM16-L117	10
M16	160	VG-501-NR1-SM16-L160	VG-501-NR1-PM16-L160	10
M16	198	VG-501-NR1-SM16-L198	VG-501-NR1-PM16-L198	10
M20	122	*VG-501-R1-SM20-L122	*VG-501-R1-PM20-L122	10
M20	160	VG-501-NR1-SM20-L160	VG-501-NR1-PM20-L160	10
M20	198	VG-501-NR1-SM20-L198	VG-501-NR1-PM20-L198	10
M24	122	*VG-501-R1-SM20-L122	*VG-501-R1-PM20-L122	10
M24	188	*VG-501-R1-SM20-L188	*VG-501-R1-PM20-L188	10

Solid version Ausführung mit Fußplatte aus Vollmaterial



M12	115	VG-501-ND1-SM12-L115	VG-501-ND1-PM12-L115	10
M12	158	VG-501-ND1-SM12-L158	VG-501-ND1-PM12-L158	10
M16	115	VG-501-ND1-SM16-L115	VG-501-ND1-PM16-L115	10
M16	158	VG-501-ND1-SM16-L158	VG-501-ND1-PM16-L158	10
M16	196	VG-501-ND1-SM16-L196	VG-501-ND1-PM16-L196	10
M20	120	*VG-501-D1-SM20-L120	*VG-501-D1-PM20-L120	10
M20	158	VG-501-ND1-SM20-L158	VG-501-ND1-PM20-L158	10
M20	196	VG-501-ND1-SM20-L196	VG-501-ND1-PM20-L196	10
M24	120	*VG-501-D1-SM20-L120	*VG-501-D1-PM20-L120	10
M24	186	*VG-501-D1-SM20-L186	*VG-501-D1-PM20-L186	10

Version with urethane filled base Ausführung mit Fußplatte gefüllt mit Uretan



M12	118	VG-501-NU1-SM12-L118	VG-501-NU1-PM12-L118	10
M12	161	VG-501-NU1-SM12-L161	VG-501-NU1-PM12-L161	10
M16	118	VG-501-NU1-SM16-L118	VG-501-NU1-PM16-L118	10
M16	161	VG-501-NU1-SM16-L161	VG-501-NU1-PM16-L161	10
M16	199	VG-501-NU1-SM16-L199	VG-501-NU1-PM16-L199	10
M20	123	*VG-501-U1-SM20-L123	*VG-501-U1-PM20-L123	10
M20	161	VG-501-NU1-SM20-L161	VG-501-NU1-PM20-L161	10
M20	199	VG-501-NU1-SM20-L199	VG-501-NU1-PM20-L199	10
M24	123	*VG-501-U1-SM20-L123	*VG-501-U1-PM20-L123	10
M24	189	*VG-501-U1-SM20-L189	*VG-501-U1-PM20-L189	10

* 01, R1, D1, U1 type of joint.
01, R1, D1, U1 Typ Gelenk.

NOLU PLASTICS

VALU GUIDE



WHEELER MECTRADE (S) PTE LTD
Tel: 65-6563 8501 Fax: 65-6560 4853
Email: wheelermectrade@singnet.com.sg



WHEELER MECTRADE SDN BHD
Tel: 07-861 5692 Fax: 07-861 4692 H/P: 012-7019 130
Email: sales@wheelermectrade.com.my