



SERIES

Delta-Q QuiQ Series

Industrial Battery Chargers with available DC-DC converters



The QuiQ Series Chargers are highly efficient and durable, capable of being used on- or off-board, with a variety of different types of deep-cycle lead acid batteries. Applications for the QuiQ Chargers include scissor lifts, boom lifts, lift trucks, floor care machines, power sports (motorcycles and scooters), utility vehicles, and speciality golf vehicles.



Fully sealed mechanical design protects against vibration, extreme temperatures, water, chemicals, and dust.



High-performance charge profiles for many battery brands and chemistries, including Discover, Fullriver, Interstate, Trojan and U.S. Battery, and wet / flooded, AGM and gel batteries with different capacities.



Built-in converter (QuiQ-dci only) to power on-board accessories. Saves space, weight, and cabling. All QuiQ models have identical mechanical dimensions.



The QuiQ 1500 provides 30% faster charging or can charge larger battery packs compared to the QuiQ 1000.

Key Specifications

Summary	QuiQ 1000				QuiQ 1500				QuiQ-dci		
Available models	24 V	36 V	48 V	72 V	48 V	72 V	48 V	72 V	48 V	72 V	96 V
Max DC output current	25 A	21 A	18 A	12 A	25 A	17 A	30 A	20 A	18 A	12 A	8.5 A
Max DC output power	695 W	875 W	1000 W	1000 W	1200 W	1200 W	1500 W	1500 W	1000 W	1000 W	945 W
AC input range	85-265 VAC				100-190 VAC		190-265 VAC		85-265 VAC		
Max AC input current	10 A @120 VAC; 5 A @230 VAC				12 A @ 120 VAC		7 A @ 230 VAC		10 A @120 VAC; 5 A @230 VAC		
Warranty	Warranty provided by OEM or distributor point of sale										

Converter DC Output	QuiQ-dci		
Available models	48 VDC	72 VDC	96 VDC
Battery DC input voltage range	35-87 V	50-130 V	60-150 V
DC output voltage	13.5 +/- 0.7 V		
Continuous / peak output current	30 A / 60 A		
Output lines	Switched, direct (unswitched)		

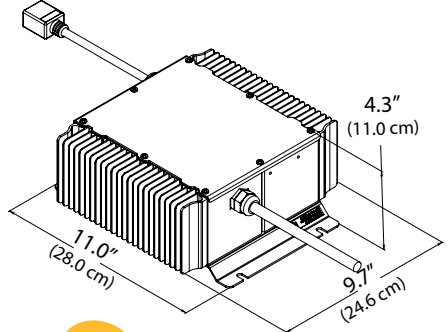
Operating Conditions	
Operating temperature	-22°F to 122°F (-30°C to +50°C) Derated at >86°F (30°C), <32°F (0°C)
Storage temperature	-40°F to 158°F (-40°C to +70°C)

Mechanical	
Dimensions	11.0 x 9.7 x 4.3" (28.0 x 24.6 x 11.0 cm)
Weight	< 11 lbs (< 5 kg)
AC input connector	IEC320 / C14; available IP66 sealed
DC output connector	OEM specific with 12 AWG wire
Enclosure rating	IP66 (NEMA4)

Features

- Multi-color LED indicator for: faults, AC power, charge status, charge current
- Download charge / event data using the QuiQ Programmer Tool (sold separately)

Dimensions



Contact Us
 Web: delta-q.com
 Phone: +1.604.327.8244
 E-mail: sales@delta-q.com



Visit delta-q.com/support for user support resources