



QuiQ™

1kW Industrial Battery Charger

Key Features	Benefits
Advanced power electronics provide high efficiency and unity power factor	<ul style="list-style-type: none"> + Meets CEC energy efficiency standards + Reduced electricity costs
Wide AC input voltage range	<ul style="list-style-type: none"> + Operates on any single-phase grid worldwide
QuiQ™ optimized charging profiles for all popular industrial battery brands and types	<ul style="list-style-type: none"> + Extend battery life and minimize charge times + Auto-recharge for low voltage / storage ensures equipment is ready for use
Battery maintenance tools	<ul style="list-style-type: none"> + Integrated charge cycle and event tracking
Fully sealed enclosure	<ul style="list-style-type: none"> + Protected against high vibration, extreme ambient temperatures and water, chemical and dust ingress
Customizable for specific OEM applications	<ul style="list-style-type: none"> + Designed for on- or off-board usage + Tailored charge profiles and cabling

QuiQ™ Specifications



DC Output	24 VDC	36 VDC	48 VDC	72 VDC	84 VDC	96 VDC
Nominal DC output voltage	24 V	36 V	48 V	72 V	84 V	96 V
Maximum DC output voltage	34 V	51 V	68 V	100 V	120 V	135 V
Maximum DC output current	25 A	21 A	18 A	12 A	10 A	8.5 A
Maximum DC output power	695 W	875 W	1000 W	1000 W	1000 W	945 W
Deep discharge recovery (minimum voltage)	6 V	9 V	12 V	18 V	21 V	24 V
Maximum interlock current	1 A	1 A	1 A	0.5 A	0.5 A	0.5 A
Battery type	Lead acid (Wet / AGM / GEL), lithium ion					
Reverse polarity	Electronic protection with auto-reset					
Short circuit	Electronic current limit					

AC Input	
AC input voltage range	85-265 VAC
Nominal AC input voltage	120 VAC / 230 VAC rms
AC input frequency	45-65 Hz
Maximum / nominal AC input current	12 A / 9.5 A @120 VAC; 5 A rms @230 VAC
Nominal AC power factor	>0.99 @ 120 VAC / >0.98 @ 230 VAC

Regulatory	
Safety	UL approved to UL1564 3rd Ed. and CSA 107.2, EN 60335-2-29 Designed to meet UL2202 1st Ed.
Emissions	FCC Part 15 / ICES 003 Class A, EN 55011
Immunity	EN 61000-3-2, EN 61000-3-3, EN61000-4-2/-3/-4/-5/-6/-11

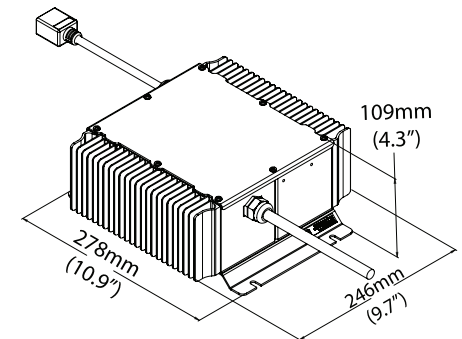
Mechanical	
Dimensions	28.0 x 24.6 x 11.0 cm (11 x 9.7 x 4.3")
Weight	< 5 kg. (<11 lbs.)
AC input connector	IEC320/C14 (requires country-specific cord)
DC output connector	OEM specific with 12 AWG wire

Environmental	
Enclosure	IP66 (NEMA4)
Operating temperature	-30°C to +50°C (-22°F to 122°F) Derated at >30°C (86°F), <0°C (32°F)
Storage temperature	-40°C to +70°C (-40°F to 158°F)

Features

- + Battery temperature monitor
- + Multi-color LED indicator for >80% charge, full charge, fault
- + Field programmable with up to 10 QuiQ charging profiles
- + Download charge / event data using QuiQ Programmer

Dimensions



1211 Flynn Road #102
Camarillo, CA 93012
1-800-522-8191