



FFD200-12

(Group Size: 4D)

Deep Cycle Sealed
Maintenance-Free
AGM Battery



FULL FORCE
BATTERY

CRANKING PERFORMANCE

CA 32°F	CCA 0°F
1500	1300

RESERVE CAPACITY

@25 AMPS	@75 AMPS
400 Minutes	100 Minutes

CONSTANT CURRENT DISCHARGE (Amps)

CUT OFF VOLTAGE V/cell	15M	30M	45M	1H	2H	3H	5H	8H	10H	12H	20H	24H
1.75V	261	167	123	103	55.1	40.8	28.8	19.6	16.2	13.9	10.0	8.6

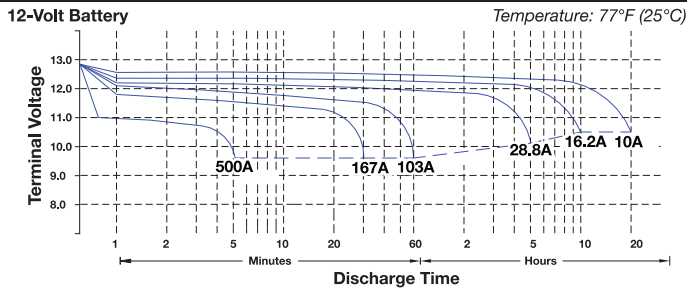
SPECIFICATIONS

Nominal Voltage		12 Volt
Rated Capacity (20 hour rate)		200 AH
Dimensions	Total Height (including terminals)	239 mm (9.41")
	Height	214 mm (8.43")
	Length	530 mm (20.87")
	Width	209 mm (8.23")
Weight		55.7 kg (122.8 lbs)

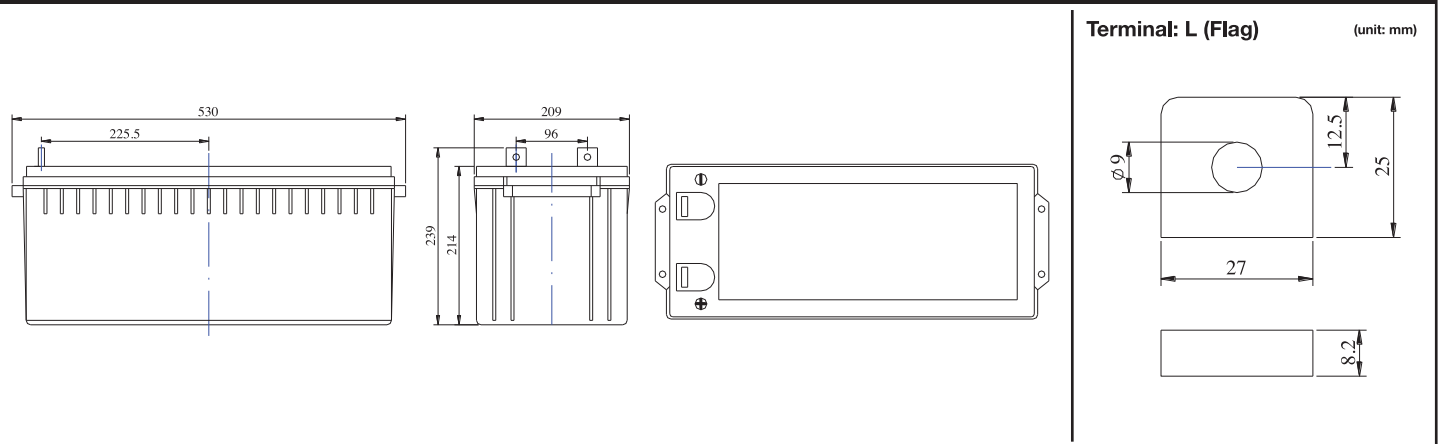
CHARACTERISTICS

Capacity 77°F (25°C)	20 Hour Rate (1.75A to 10.5 Volts)	200AH
	10 Hour Rate (16.2A to 10.2 Volts)	162AH
	5 Hour Rate (28.8A to 10.2 Volts)	144AH
Internal Resistance	Full charged Battery 77°F (25°C)	4m Ω
Capacity Affected by Temperature (20 Hour Rate)	104°F (40°C)	102%
	77°F (25°C)	100%
	32°F (0°C)	85%
	5°F (-15°C)	65%
Self-Discharge 77°F(25°C)	Capacity after 3 month storage	91%
	Capacity after 6 month storage	82%
	Capacity after 12 month storage	64%
Max. Discharge Current 77°F (25°C)	2000A (5s)	
Terminal	Standard	L (Flag)
Charging (Constant Voltage)	Cycle	Initial Charging Current $\leq 0.2 \times C20$ 13.9 V ~ 14.2 V/77°F (25°C)
	Float	13.3 V ~ 13.5 V/77°F (25°C)

DISCHARGE CHARACTERISTICS



SIZE & DETAILED ILLUSTRATION



This information is generally descriptive only and is not intended to make or imply any representation, guarantee or warranty with respect to any cells and batteries. Cell and battery designs/specifications are subject to modifications without notice. Contact Fullriver for the latest information.