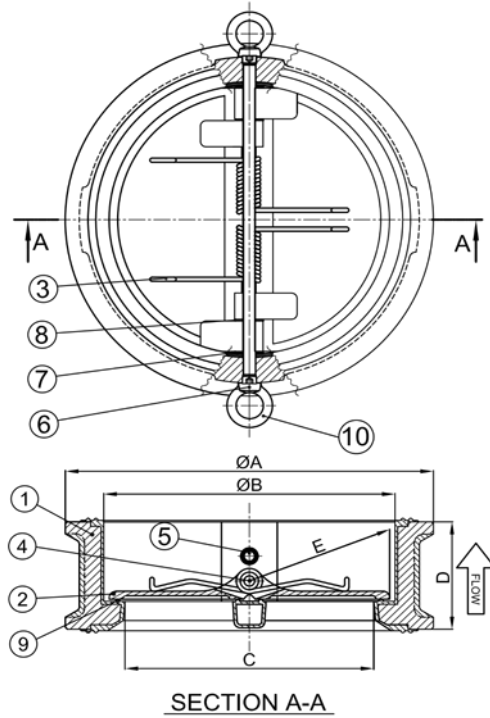


WAFER CHECK VALVE - FULLY STAINLESS STEEL DOUBLE DOOR



PART NAME & MATERIAL		
PART NO	PART NAME	MATERIAL
1	Body	SS 316
2	Plate	SS 316
3	Spring	SS 316
4	Hinge Pin	SS 316
5	Stop Pin	SS 316
6	Retainer	SS 316
7	Body Bearing	SS 316
8	Plate Bearing	SS 316
9	Seat	Viton
10	Eye Bolt	Alloy Steel

DIMENSIONS						
SPEC		ØA	ØB	C	D	E
IN	MM					
1½"	40	92.0	72.0	45.0	54.0	32.0
2"	50	101.0	72.0	45.0	54.0	32.0
2½"	65	121.0	80.0	50.0	54.0	35.0
3"	80	131.0	91.0	67.0	57.0	43.0
4"	100	156.0	119.0	90.0	64.0	53.0
5"	125	187.0	141.0	112.0	70.0	65.0
6"	150	217.0	171.0	137.0	76.0	80.0
8"	200	267.0	226.0	188.0	95.0	108.0
10"	250	330.0	281.0	240.0	108.0	132.0
12"	300	375.0	327.0	282.0	143.0	154.0

TEST STANDARD	ISO-5208 / ISO - 7005 -1			
TEST PRESSURE	Shell		Seat	
HYDROSTATIC	24.0	KG/CM ²	17.6	KG/CM ²
PNEUMANTIC PRESSURE	-	KG/CM ²	6.0	KG/CM ²
FACE TO FACE	EN 558 -1/50			