

1-PC DISCO CHECK VALVE



Product Information:

- Flange : ANSI150/300, PN10/16/25/40, JIS 10K
- Face to Face : DIN3202-K4
- Pressure : 800PSI (PN40) for WOG
- Temperature : -60 °F to 800 °F
- This product can be used in boats, chemical equipment, pharmaceutical equipment, hydraulic equipment, oil pipes, steam equipment

Main Parts & Material:

PART NO.	PART NAME	MATERIAL	DESCRIPTION
1	BODY	Stainless Steel	A351 CF8M
2	DISC	Stainless Steel	A351 CF8M
3	CAP	Stainless Steel	SS 316
4	SPRING	Stainless Steel	SS 316
5	SEAT	Metal	Same as body

Opening Pressure STD in mbar:

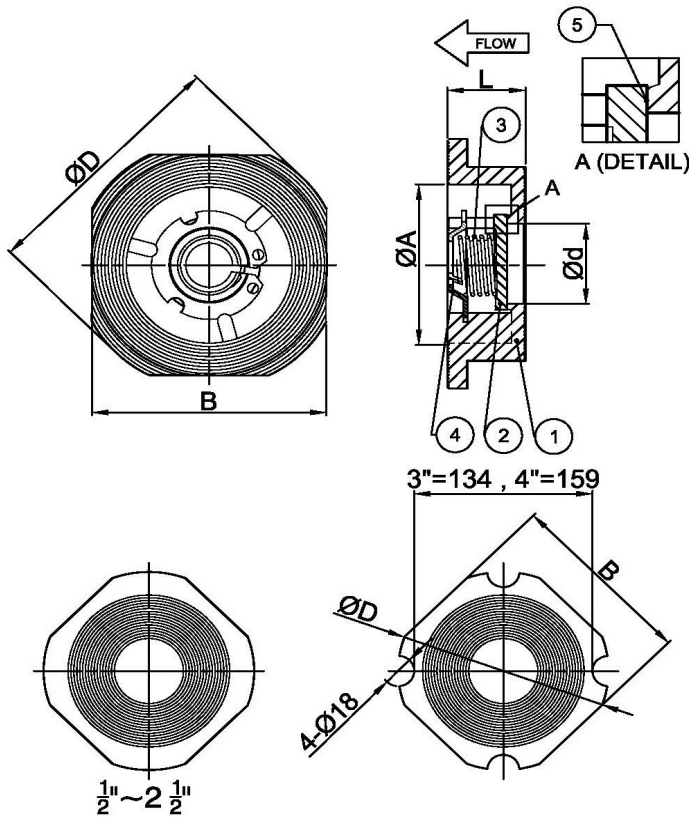
DN15	25 ↑	21 ↓	23 →
------	------	------	------

DN20	25 ↑	21 ↓	23 →
DN25	25 ↑	21 ↓	23 →

DN32	27 ↑	21 ↓	24 →
DN40	29 ↑	21 ↓	25 →

DN50	29 ↑	21 ↓	25 →
DN65	25 ↑	21 ↓	23 →

DN80	32 ↑	21 ↓	26 →
DN100	33 ↑	21 ↓	27 →



Main Dimensions:

SPEC	Ød	ØA	B	ØD	L
1/2"	15	31	45	52	16
3/4"	20	38	55	62	19
1"	25	46	65	73	22
1 1/4"	32	56	77	82	28
1 1/2"	40	66	87	93	31.5
2"	50	78	99	107	40
2 1/2"	65	95	119	127	46
3"	80	110	134	142	49
4"	100	134	159	172	60