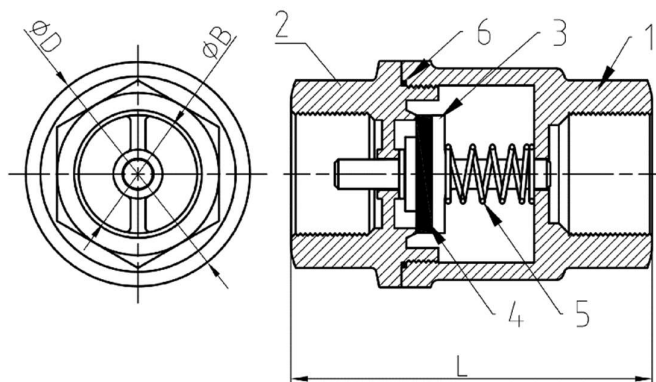
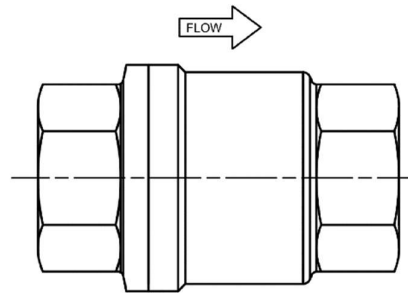


2-PC DISCO CHECK VALVE



Product Information:

- Pipe thread in accordance: NPT.PT
- Working pressure: 125PSI 1000W.O.G
- Seat resilient: PTFE
- Threads to ANSI BI.20.1

Main Parts & Material:

| PART NO. | PART NAME | MATERIAL | DESCRIPTION |
|----------|-----------|-----------------|-------------|
| 1 | BODY | STAINLESS STEEL | CF8 |
| 2 | CAP | STAINLESS STEEL | CF8 |
| 3 | DISC | STAINLESS STEEL | CF8 |
| 4 | SEAT | TEFLON | RPTFE |
| 5 | SPRING | STAINLESS STEEL | AISI 316 |
| 6 | GASKET | TEFLON | RPTFE |

Main Dimensions:

| SPEC | | ϕB | ϕD | L |
|------|----|----------|----------|------|
| IN | MM | | | |
| 1/2" | 15 | 15 | 34.5 | 58.7 |
| 3/4" | 20 | 20 | 46 | 72.9 |
| 1" | 25 | 25 | 54 | 88.9 |