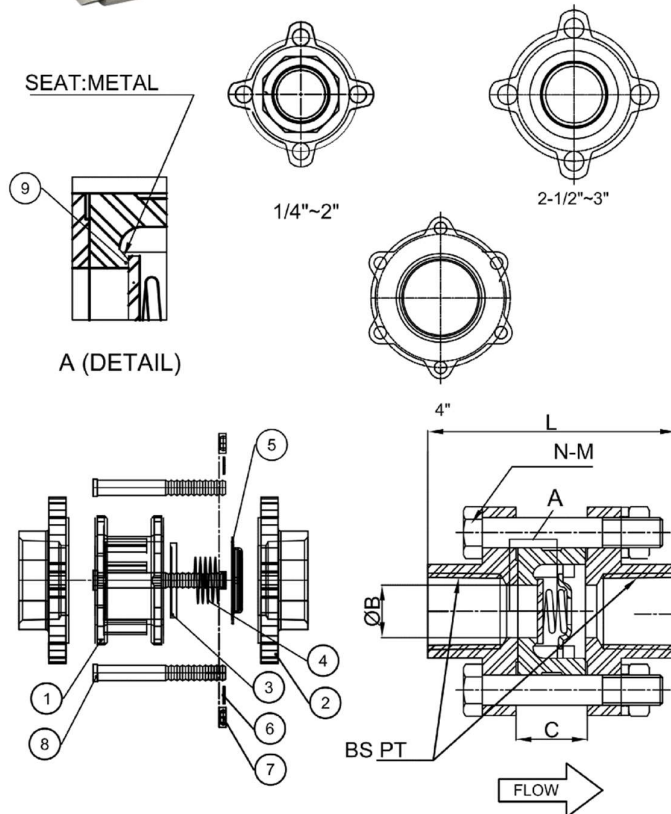


# 3-PC DISCO CHECK VALVE



### Product Information:

- Pipe thread in accordance to BSPT
- Working Pressure – 1000PSI (PN63)
- Seat metal to metal – same as body

### Main Parts & Material:

PART NO.	PART NAME	MATERIAL	DESCRIPTION	
			JIS	ASTM
1	BODY	STAINLESS STEEL	SCS14	A351 CF8M
2	END CAP	STAINLESS STEEL	SCS14	A351 CF8M
3	DISC	STAINLESS STEEL	SCS14	A351 CF8M
4	SPRING	STAINLESS STEEL	SS 316	SS 316
5	SPRING HOLDER	STAINLESS STEEL	SS 316	SS 316
6	WASHER	STAINLESS STEEL	SS 316	
7	NUT	STAINLESS STEEL	SS 316	
8	BOLT	STAINLESS STEEL	SS 316	
9	SEAT	METAL	SAME AS BODY	

### Main Dimensions:

SPEC		ØB	L	C	N-M
IN	MM				
1/4"	8	10	60	18	4-1/4"
3/8"	10	12.5	60	18	4-1/4"
1/2"	15	14	63	19	4-5/16"
3/4"	20	19	71	24	4-5/16"
1"	25	25	81.5	29.5	4-5/16"
1 1/4"	32	31	91	33.5	4-3/8"
1 1/2"	40	39	97.5	37.5	4-3/8"
2"	50	49	117	47	4-3/8"
2-1/2"	65	64	131.5	47.5	4-1/2"
3"	80	78	143.5	55.5	4-5/8"
4"	100	97	174.5	70.5	6-5/8"

All information in this brochure was corrected to the best of our knowledge when originally printed. METAVAL reserves the right to make changes without notice to product specification and manufacturer processes given the company's policy of continual product improvement.