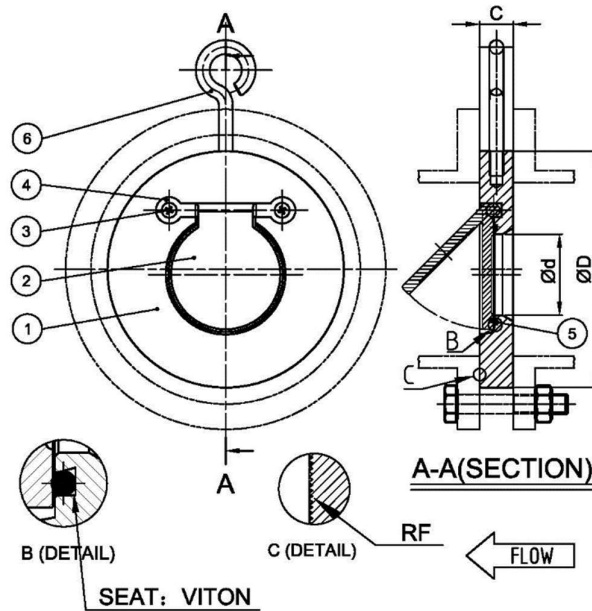


SUPERTHIN CHECK VALVE



Main Parts & Material

Item	Part Name	Material	Description	
			JIS	ASTM
1	Body	Stainless Steel	SCS13	A351 CF8
			SCS14	A351 CF8M
2	Disc	Stainless Steel	SCS13	A351 CF8
			SCS14	A351 CF8M
3	Retainer	Stainless Steel	SUS316	316SS
4	Bush	Stainless Steel	SCS14	A351 CF8M
5	Seat	Rubber	VITON	
6	Eye Bolt	Stainless Steel	SS304 / SS316	

Main Dimensions

Size	D	øD	C
2"	104	27	19
2½"	124	36	19
3"	134	46	19
4"	159	69	19
5"	190	90	19
6"	220	112	19
8"	270	142	29
10"	332	190	29
12"	377	211	38

Test Standard		ISO 5208		
Test Pressure	Shell		Seat	
Hydrostatic	24.0	KG/CM ²	17.6	KG/CM ²
Pneumatic Pressure	----	KG/CM ²	6.0	KG/CM ²
Face To Face	API – 6D			
Dimension Of End	ISO7005-1-PN16 RF / JIS B2238-10K RF			