

SS304/316 STAINLESS STEEL Y-STRAINER TREADED END

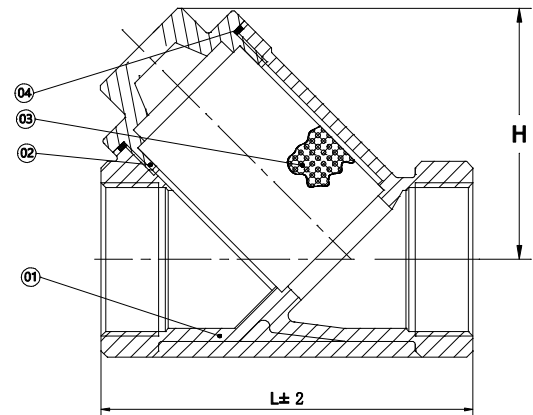
MAIN SPECIFICATION

- ❖ Pressure : ASME B 16.34
- ❖ Test And Inspection : API 598
- ❖ Normal Pressure : 800 Psi
- ❖ Connection Standard : BSPT



MATERIALS LIST

NO	PART NAME	MATERIAL	
1	Body	CF8	CF8M
2	End Cap	CF8	CF8M
3	Filter Net	SS304	SS316
4	Gasket	PTFE	



DIMENSION UNIT: mm

SIZE		L	H
DN	NPS		
15	½"	60	41
20	¾"	74	55
25	1"	84	59.5
32	1¼"	98.5	66
40	1½"	117	88.5
50	2"	139	95