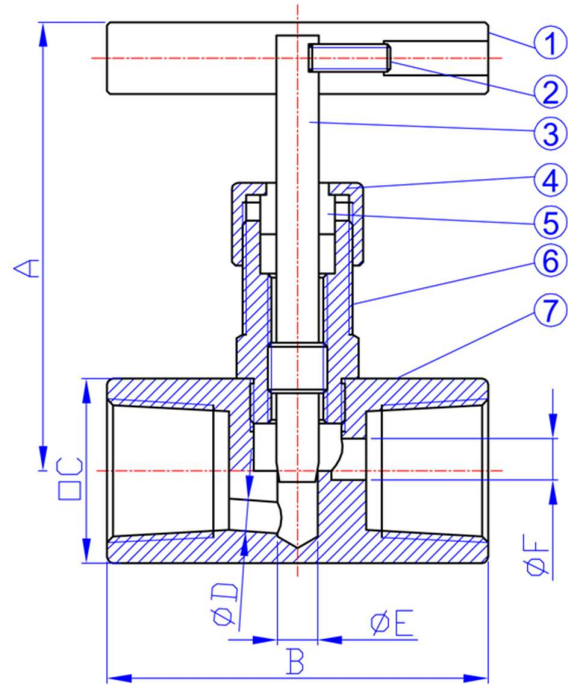


SS316 NEEDLE VALVE 6000PSI BSP



GENERAL MATERIAL:

No.	Name	Specification
1	Handle	SS 304
2	Screw	SS 304
3	Spindle	SS 316
4	Nut	SS 304
5	Packing	TEFLON
6	Base	SS 304
7	Body	SS 316

Dimensions (ND-6000)

SIZE	A	B	C	ØD	ØE	ØF	(KG)
1/8	77	45	22	5	6	5	0.286
1/4	77	45	22	5	6	5	0.276
3/8	78	59	25	5	6	6.3	0.36
1/2	81	65	30	6	6	8	0.474
3/4	113	70	35	8	8	10	0.78
1	117	80	45	8	8	12	1.214