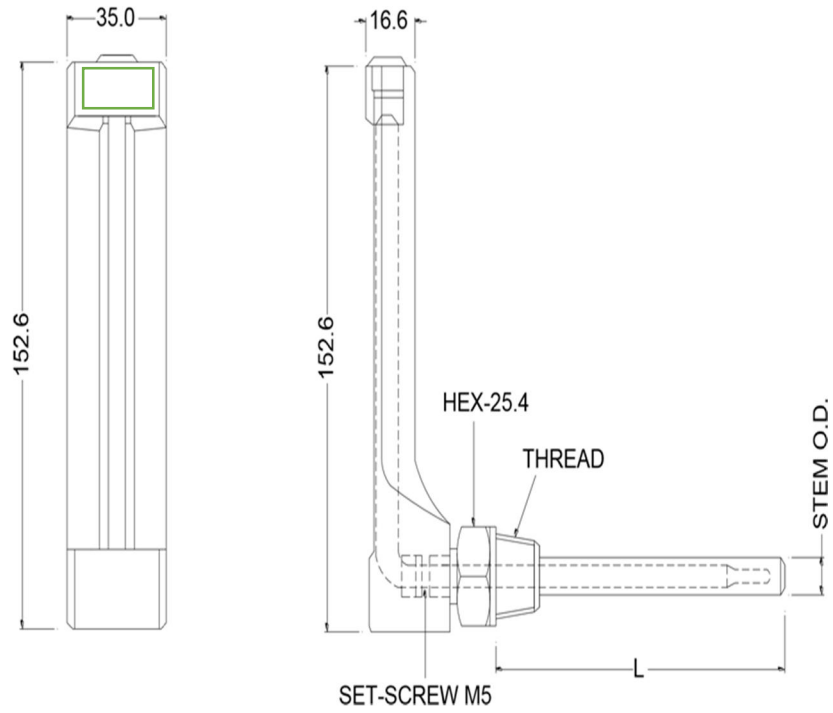




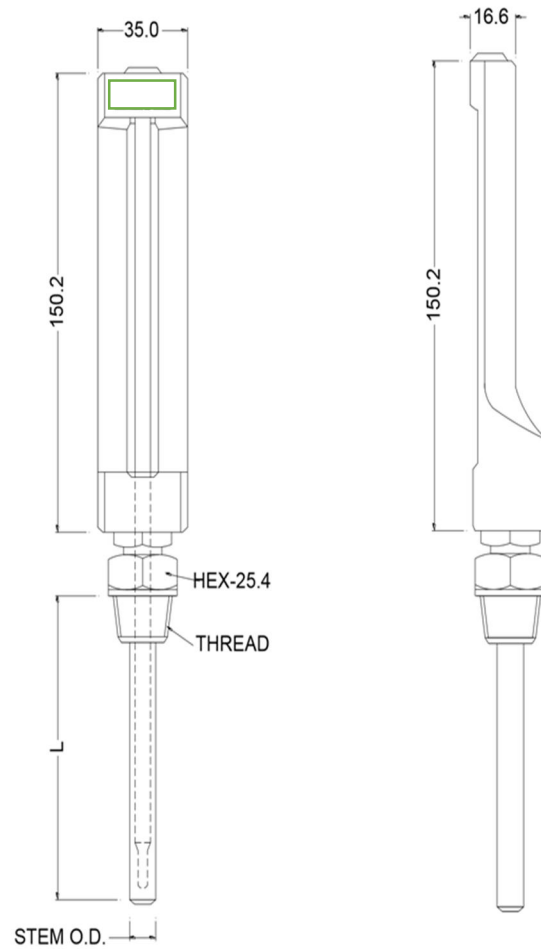
T400 models are designed for corrosive environment which media do not corrode the brass and which do not have high viscosity or do not crystallize with applicable on general industry, chemical, petrochemical and etc.

Standard Specification

Model	: T400 S (Direct bottom connection) : T400 L (Lower back connection)	
Casing Dimension	: V-Shape, 150mm x 35mm	
Brass Stem Length	: 2½", 4" & 6"	
Connection	: ½" BSPT	
Scale Range (°C & °F)	: -30°C ~ 50°C / -20°F ~ 120°F	
Accuracy	: ± 2.0% of Full Scale	
Material	Case	: Nylon Fiber
	Temperature Element	: Alcohol - Blue
	Stem	: Brass
	Stem OD	: 10mm



CODE S



Unit : mm

CODE L