

CAST IRON BUTTERFLY VALVE - ALUMINIUM LEVER

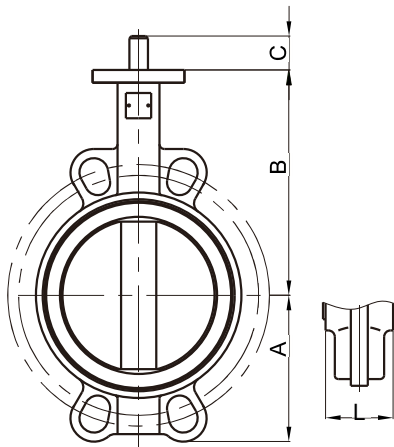


Valve Standard

Comply with ISO 5752 / BS 5155 /
BS EN 593 / MSS SP-67/API 609

Pressure Temperature Ratings

Working Pressure	16bar / 25bar
Testing Pressure	Shell: 24bar / 37.5bar Seal: 17.6bar / 27.5bar
Working Temperature	-20°C to 110°C EPDM Seat -10°C to 80°C NBR Seat
Suitable Media	Water , Oil & Gas



Material Specification

Part	Material	ASTM
Body	Cast Iron	A126 Class B
	Ductile Iron	A536 Gr. 65-45-12
Disc	Ductile Iron	A536 Gr. 65-45-12
	Bronze	B148 C95400
	Stainless Steel 304	A351 CF-8
	Stainless Steel 316	A351 CF-8M
Shaft	Stainless Steel 410	A276 S 410 00
	Stainless Steel 431	A276 S 431 00
Seat Ring	EPDM / NBR	
O-Ring	EPDM / NBR	
Bushing	PTFE	
	Bronze	B62 C83600

Dimensions

DN	Mm	40	50	65	80	100	125	150	200	250	300	350	400
	inch	1-1/2	2	2-1/2	3	4	5	6	8	10	12	14	16
	A	68	80	89	95	114	127	139	175	203	242	267	316
	B	110	161	175	181	200	213	226	260	292	337	368	400
	C	24	30	30	30	30	30	30	34	34	34	40	52
	L	33	42	45	45	51	55	55	60	67	76	76	102

DN	Mm	450	500	550	600	650	700	750	800	900	1000	1200	-
	Inch	18	20	22	24	26	28	30	32	36	40	48	-
	A	334	370	433	468	484	530	565	602	661	724	869	-
	B	422	480	533	562	540	626	660	666	722	806	938	-
	C	52	64	70	70	70	95	95	95	130	130	150	-
	L	114	127	151	151	172	165	167	188	203	216	276	-