

CAST IRON BALL VALVE 10K

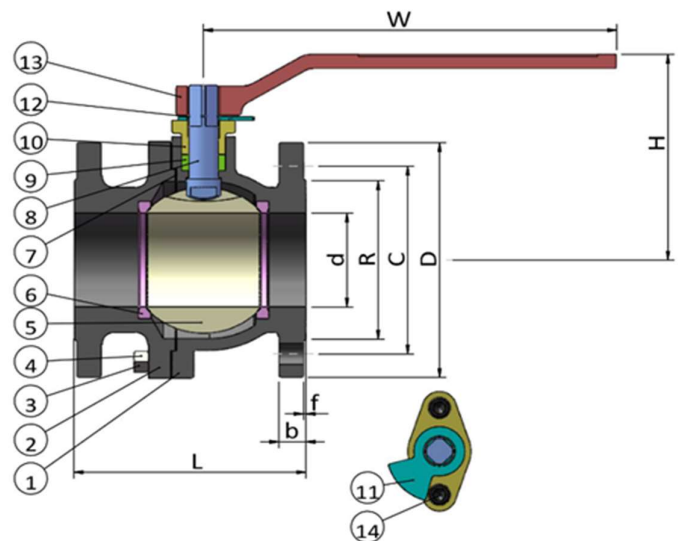
Main Parameter Specification

- ❖ Design and Manufacture : JIS B2031
- ❖ Face to Face : JIS B2002
DN15-DN100(6)
DN125-DN200(39)
- ❖ End Flange Dimension : JIS B2212
- ❖ Nominal Pressure : 10K
- ❖ Pressure Test : JIS B2003



Main Parts & Material

| No. | Part Name | Material |
|-----|--------------|-------------------------------|
| 1 | Body | Cast Iron (FC200/FCD-S) |
| 2 | Bonnet | Cast Iron (FC200/FCD-S) |
| 3 | Nut | Carbon Steel |
| 4 | Bolting | Carbon Steel |
| 5 | Ball | Stainless Steel (SS304/SS316) |
| 6 | Seat | PTFE / RPTFE / TFM1600 |
| 7 | Gasket | PTFE |
| 8 | Stem | Stainless Steel (SS304/SS316) |
| 9 | Stem Packing | PTFE |
| 10 | Gland Flange | Cast Iron (FC200) |
| 11 | Stop Collar | Carbon Steel |
| 12 | Circlip | Steel |
| 13 | Handle | Ductile Iron (FCD450) |
| 14 | Gland Bolt | Carbon Steel |



Main Dimensions

| SIZE | d | L | D | C | R | b | f | N | h | W | H |
|-------|-----|-----|-----|-----|-----|----|---|----|----|-----|-----|
| DN15 | 15 | 108 | 95 | 70 | 52 | 14 | 1 | 4 | 15 | 130 | 78 |
| DN20 | 20 | 117 | 100 | 75 | 58 | 16 | 1 | 4 | 15 | 160 | 113 |
| DN25 | 25 | 125 | 125 | 90 | 70 | 16 | 1 | 4 | 19 | 160 | 107 |
| DN32 | 32 | 140 | 135 | 100 | 80 | 18 | 2 | 4 | 19 | 160 | 113 |
| DN40 | 40 | 165 | 140 | 105 | 85 | 18 | 2 | 4 | 19 | 250 | 130 |
| DN50 | 50 | 178 | 155 | 120 | 100 | 20 | 2 | 4 | 19 | 250 | 146 |
| DN65 | 65 | 190 | 175 | 140 | 120 | 22 | 2 | 4 | 19 | 350 | 176 |
| DN80 | 80 | 203 | 185 | 150 | 130 | 22 | 2 | 8 | 19 | 350 | 222 |
| DN100 | 100 | 229 | 210 | 175 | 155 | 24 | 2 | 8 | 19 | 400 | 222 |
| DN125 | 125 | 356 | 250 | 210 | 185 | 24 | 2 | 8 | 23 | 600 | 260 |
| DN150 | 150 | 394 | 280 | 240 | 215 | 26 | 2 | 8 | 23 | 600 | 280 |
| DN200 | 200 | 457 | 330 | 290 | 265 | 26 | 2 | 12 | 23 | 700 | 340 |
| DN250 | 250 | 533 | 400 | 355 | 325 | 32 | 2 | 12 | 25 | 800 | 380 |