

SS304/316 1-PC BALL VALVE BSPT

FEATURES

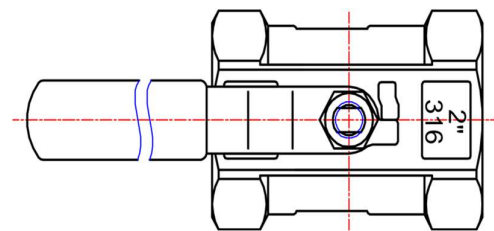
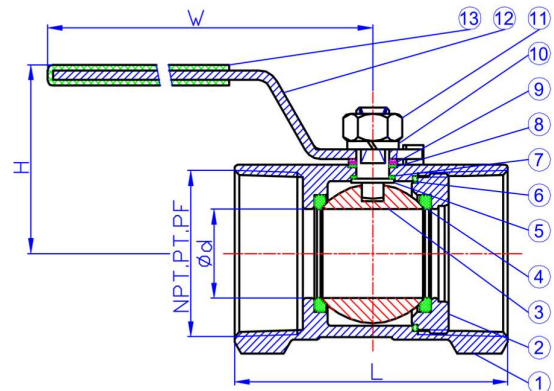
- ❖ Pipe Thread in accordance:- NPT, BSPT
- ❖ Blow-Out Proof Stem / Reduce Port
- ❖ 1000PSI W.O.G.

MATERIALS LIST

NO	PART NAME	MATERIAL	
1	Body	CF8	CF8M
2	Cap	CF8	CF8M
3	Ball	CF8	CF8M
4	Seat	PTFE	
5	Stem	SS304	SS316
6	Gasket	PTFE	
7	Thrust Washer	PTFE	
8	Packing	PTFE	
9	Washer	SS304	
10	Spring Washer	SS304	
11	Stem Nut	SS304	
12	Handle	SS304	
13	Plastic Cover	Plastic	

DIMENSIONS

SIZE		d	L	H	W
DN	NPS				
8	¼"	5.5	39	34	69
10	3/8"	7.5	44	38	83
15	½"	9.5	54	41	96
20	¾"	13	57	45	96
25	1"	16	69	52	116
32	1¼"	20	75	57	116
40	1½"	25	80	62	158
50	2"	32	97	68	158



Butterfly Handle is available for size ¼", 3/8", ½", ¾"