

## SS304/316 2-PC BALL VALVE BSPT

### FEATURES

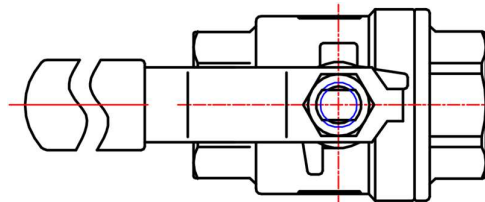
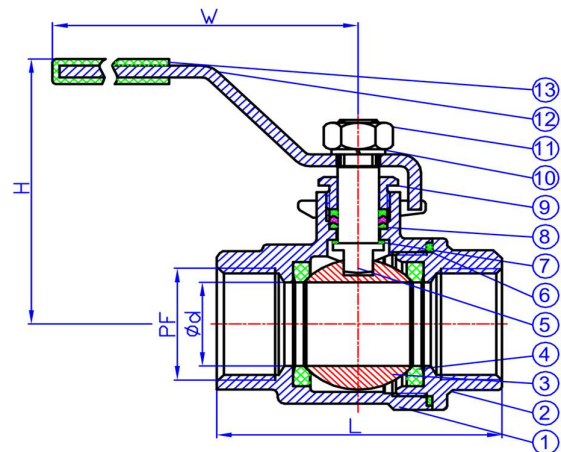
- ❖ Pipe Thread in accordance: BSPT
- ❖ Blow-Out Proof Stem / Full Port
- ❖ 1000PSI W.O.G.

### MATERIALS LIST

NO	PART NAME	MATERIAL	
1	Body	CF8	CF8M
2	Cap	CF8	CF8M
3	Ball	CF8	CF8M
4	Seat	PTFE	
5	Stem	SS304	SS316
6	Gasket	PTFE	
7	Thrust Washer	PTFE	
8	Packing	PTFE	
9	Grand	SS304	
10	Spring Washer	SS304	
11	Stem Nut	SS304	
12	Handle	SS304	
13	Plastic Cover	Plastic	

### DIMENSION

SIZE		d	L	H	W
DN	NPS				
8	¼"	9	36	45	78
10	3/8"	12.5	42	50	78
15	½"	15	50	55	90
20	¾"	20	60	58	90
25	1"	25	70	75	128
32	1¼"	32	80	80	128
40	1½"	38	90	86	152
50	2"	50	110	93	152
65	2½"	65	140	138	246
80	3"	80	155	148	246
100	4"	100	260	168	350



\*\*Butterfly Handle is available for size ¼", 3/8", ½"