

SS304/316 3-PC BALL VALVE BSPT

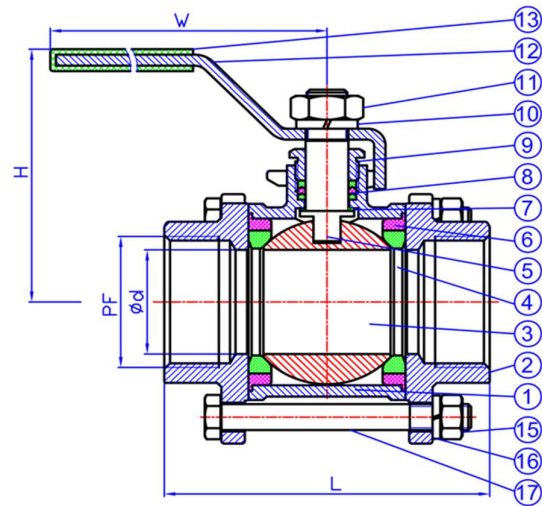
FEATURE

- ❖ Pipe Thread in accordance: BSPT
- ❖ Blow-Out Proof Stem / Full Port
- ❖ 1000PSI W.O.G.



MATERIALS LIST

NO	PART NAME	MATERIAL	
1	Body	CF8	CF8M
2	Cap	CF8	CF8M
3	Ball	CF8	CF8M
4	Seat	PTFE	
5	Stem	SS304	SS316
6	Gasket	PTFE	
7	Thrust Washer	PTFE	
8	Packing	PTFE	
9	Gland	SS304	
10	Spring Washer	SS304	
11	Stem Nut	SS304	
12	Handle	SS304	
13	Plastic Cover	Plastic	
14	Hex nut	SS304	
15	Bolt Washer	SS304	
16	Joint Bolt	SS304	



DIMENSION

SIZE		d	L	H	W	C
DN	NPS					
15	½"	15	55	62	123	45.5
20	¾"	20	65	66	123	52.5
25	1"	25	77	77	153	57.5
32	1¼"	32	92	80	153	71.5
40	1½"	38	105	91	183	79.0
50	2"	50	122	98	183	97.0
65	2½"	65	156	144	246	124.5
80	3"	80	172	155	246	149.0
100	4"	100	228	161	350	180.6

