

SS304/316 3-PC MOUNT DIRECT BALL VALVE BSPT

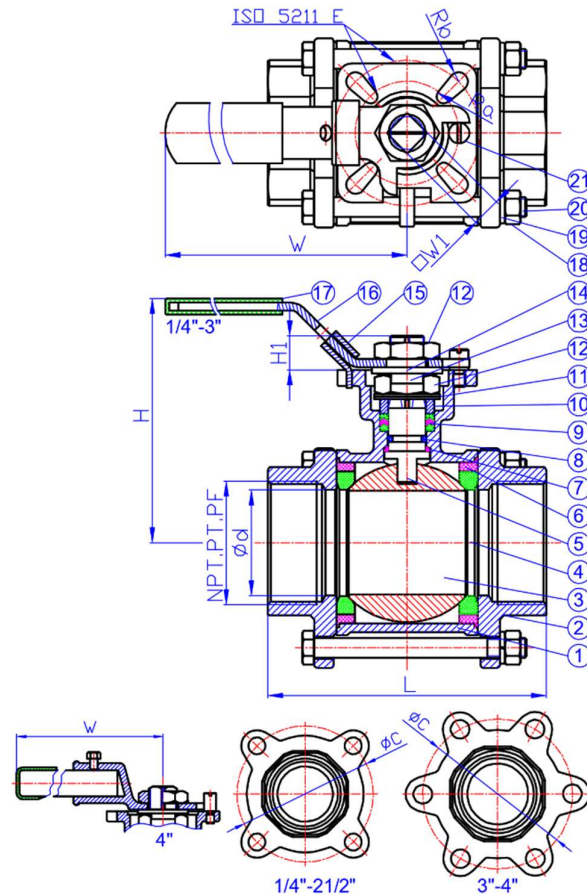
Main Features

- ❖ Pipe thread in accordance: BSPT
- ❖ Blow-out Proof Stem / Full Port
- ❖ With ISO 5211 mounting pad
- ❖ Investment casting body
- ❖ 1000 PSI W.O.G.



Main Parts & Materials

No.	Part Name	Material
1	Body	CF8M
2	Cap	CF8M
3	Ball	CF8M
4	Seat	PTFE
5	Stem	SUS316
6	Gasket	PTFE
7	Thrust Washer	TFM4215
8	O-Ring	VITON
9	Packing	PTFE
10	Gland	SUS304
11	Spring Washer	SUS304
12	Stem Nut	SUS304
13	Stop Washer	SUS304
14	Handle Washer	SUS304
15	Locking Device	SUS304
16	Handle	SUS304
17	Plastic Cover	Plastic
18	Joint Nut	SUS304
19	Spring Washer	SUS304
20	Joint Bolt	SUS304
21	Stop Pin	SUS304



Main Dimensions

DN	NPS	H	W	C	ISO 5211	E	H1	W1	Ra	Rb	CV Factor		
8	1/4"	11.6	63	74	123	52.0	F03-F04	36-42	9	9	R3	R3	6
10	3/8"	12.7	63	74	123	52.0	F03-F04	36-42	9	9	R3	R3	7
15	1/2"	15.0	63	74	123	52.0	F03-F04	36-42	9	9	R3	R3	10
20	3/4"	20.0	73	78	123	54.5	F03-F04	36-42	9	9	R3	R3	25
25	1"	25.0	85	89	153	63.5	F04-F05	42-50	11	11	R3	R3.5	35
32	1 1/4"	32.0	96	94	153	74.2	F04-F05	42-50	11	11	R3	R3.5	46
40	1 1/2"	38.0	114	110	183	84.0	F05-F07	50-70	14	14	R3.5	R4.5	80
50	2"	50.0	134	118	183	101.0	F05-F07	50-70	14	14	R3.5	R4.5	110
65	2 1/2"	65.0	180	161	246	132.0	F07-F10	70-102	17	17	R4.5	R5.5	310
80	3"	80.0	200	170	246	161.5	F07-F10	70-102	17	17	R4.5	R5.5	360
100	4"	100.0	228	202	395	191.0	F10-F12	102-125	22	22	R5.7	R6.7	820