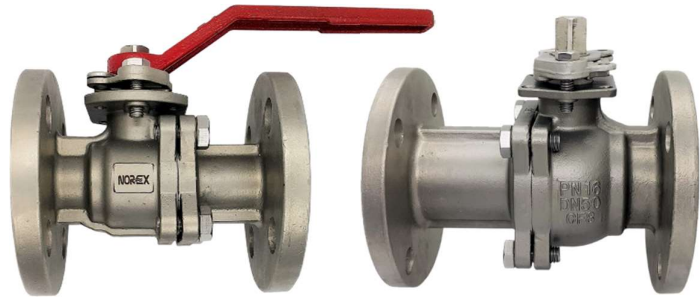


SS304 BALL VALVE PN16

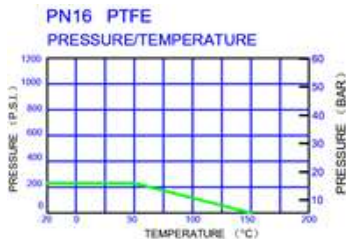
Features

- ❖ Face to face dimensions: GB12221-89
- ❖ End flange dimensions: GB 9113
- ❖ Design: ANSI B16.34
- ❖ Test: API 598
- ❖ With ISO 5211 mounting pad
- ❖ Investment casting body
- ❖ Blow-out proof stem/full port
- ❖ Lever operated or gear operated



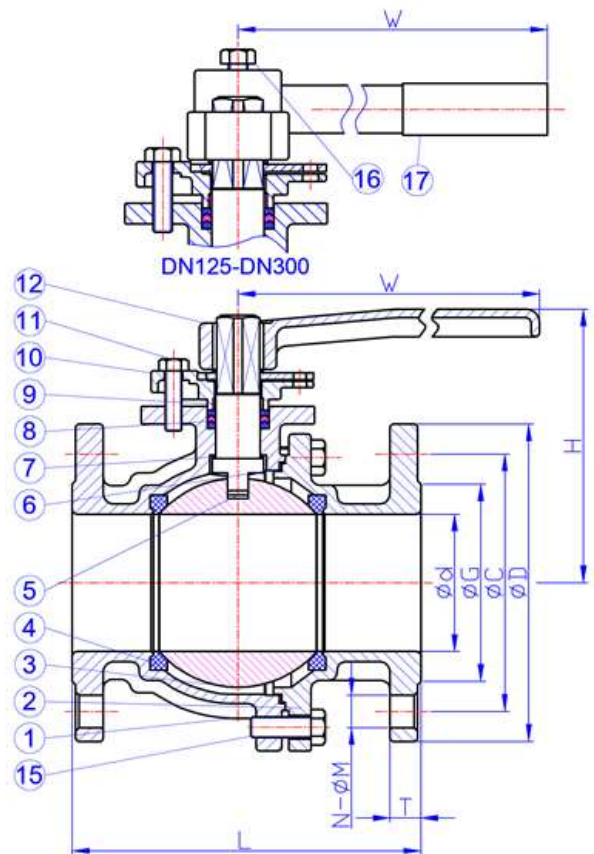
Materials List:

No.	Part Name	Material
1	Body	CF8
2	Cap	CF8
3	Ball	CF8
4	Seat	PTFE
5	Stem	SUS304
6	Gasket	PTFE
7	Thrust Washer	TFM4215
8	Packing	PTFE
9	Stem packing	PTFE
10	Gland	CF8
11	Gland bolt	SUS304
12	Handle	FCD
13	Stopper	SUS304
14	Snap ring	SUS304
15	Bolt	SUS304
16	Handle bolt	SUS304
17	Plastic cover	Plastic



TEST PRESSURE:

SHELL (BY WATER)	345PSI
	24kg/cm ²
SEAT	250PSI
	17.5kg/cm ²
BY AIR	85PSI
	6kg/cm ²



Dimensions:

SIZE	d	D	C	G	T	N-ØM	L	H	W	W1	J	ISO 5211	Ma
DN15	15	90	65	46	12	4-Ø14	130	92	160	12	50	F04	M5
DN20	20	100	75	56	14	4-Ø14	130	98	160	12	50	F04	M5
DN25	25	110	85	65	14	4-Ø14	140	103	160	12	50	F05	M6
DN32	32	146	100	76	16	4-Ø18	165	107	160	12	50	F05	M6
DN40	40	142	110	84	16	4-Ø18	165	112	230	17	62	F07	M8
DN50	50	157	125	99	18	4-Ø18	203	122	230	17	62	F07	M8
DN65	65	177	145	118	18	4-Ø18	222	151	350	21	75	F07	M8
DN80	80	192	160	132	18	8-Ø18	241	161	350	21	75	F10	M10
DN100	100	212	180	156	20	8-Ø18	305	175	350	21	75	F10	M10
DN125	125	249	210	180	20	8-Ø18	356	224	750	24	89	F12	M12
DN150	150	279	240	210	21	8-Ø23	394	247	750	24	89	F12	M12

