



Ultrasonic Concentration Meter

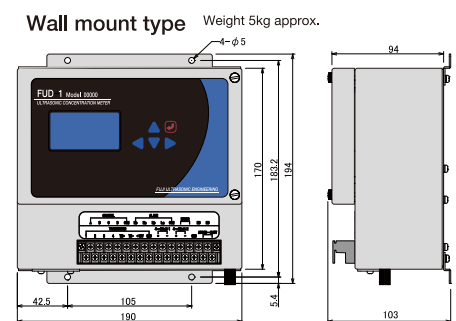
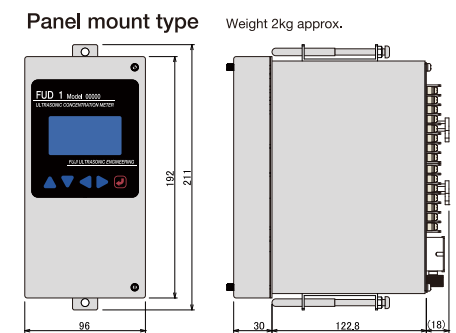
FUD-1

Model-13
Model-23 (Explosion proof)

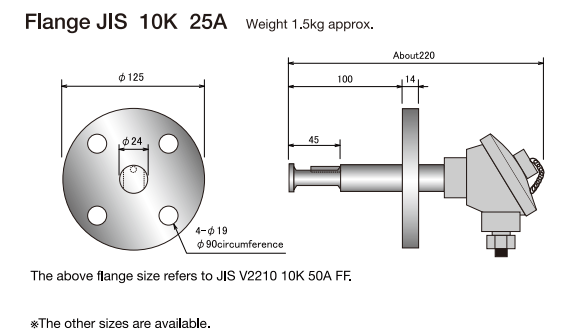
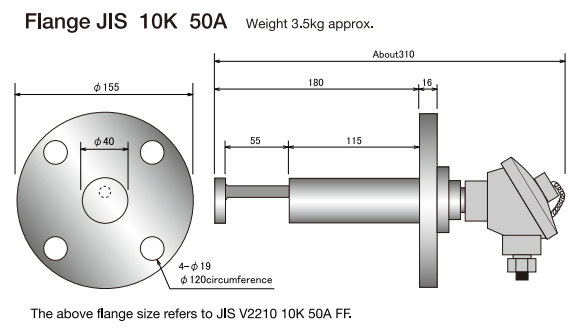
Specifications		
Model name	FUD-1 Model-13 FUD-1 Model-23 (explosion proof model)	
Measurement parameters	Ultrasonic propagation speed · temperature	
Display	LCD (Conc. Temp. Velocity/Variou parameters) Analog DC4 to 20mA (adjustable for conc. value)	
Output	Digital RS232C (Conc. Temp. Velocity Error code) Alarm High & Low limit Error	
Power	AC100 to 240V 50/60Hz 30VA	
Transmitter	Panel mount type (DIN size) Wall mount type (Rain proof case available)	
Environment	0 to 50 Celsius RH85% or less	
Fluid temperature	0 to 100 Celsius (Optional -10 to 160 Celsius : 100 Celsius span)	
Function	Output setting, Alarm output setting, Average setting Offset and Gain setting, Self-diagnosis check Auto error cancelation setting, Fail safe mode setting	
Option	RS485 output (Alternative choice with RS232C) Temperature output (DC4 to 20mA)	
Channel	Maximum 10 Ch	
Cable	10m (standard) Repeater required for over 10m Max. 300m	
Explosion proof	Repeater	Exd(i)a IIBT4
	Transducer	Ex(i)a IICT4
Transducer material	SUS316(L) SUS304(L) PFA coating Hastelloy Titanium Nickel Tantalum PFA PTFE PVC PVDF etc	

*Specification may change without notice

Transmitter



Transducer



FUJI ULTRASONIC ENGINEERING CO.,LTD.

1068 Iida-cho, Minami-ku, Hamamatsu-city Shizuoka-pref., 435-0028 Japan
Tel. 81-53-464-6449 Fax. 81-53-465-3815

URL <http://www.fuji-us.co.jp/english/>
E-mail overseas@fuji-us.co.jp

FUJI ULTRASONIC ENGINEERING CO.,LTD.