



Design Features

- bourdon tube pressure gauge DN 100 / DN 160
- stainless steel chemical design -
- case with rear blow-out device per EN 873-1
- accuracy class 1.0 per EN 837-1
- case and pressure element assembly of stainless steel
- case with liquid filling (option)
- type of protection IP 65

Application

Suitable for use in various sectors of industry. High quality stainless steel design for measuring gaseous, liquid and aggressive media. Designed according to safety standards per EN 837-1.

Technical Data

Case

high quality case with bayonet ring DN 100/ DN 160. With rear blow-out device per EN 873-1
material: st. steel mat.-no. 1.4301

Type of protection (EN60529)
IP 65

Pressure element assembly

bourdon tube and pressure connection
material st. steel mat.-no. 1.4571

Case filling

liquid filling Labofin for damping of vibrations.
Option: Glycerine 99.5 %

Process connection

pressure connection G 1/2 B, 1/2" NPT or M20x1.5.
Bottom or back eccentric connection according to EN 837-1

Movement

stainless steel segment

Scale

pure aluminium, white with black inscription.
Option: with red marking or with fixed reference pointer
special scale upon request

Pointer

pure aluminium, black.
Option: with micro adjustment for zero-point correction

Window

multi-layer safety glass. Option: non splintering plastic (Macrolon)

Case seal

sealing ring: Perbunan
filling plug: Desmopan

Blow-out device

material: Desmopan

Nominal ranges

per EN 837-1
0...0.6 bar up to 0...1000 bar
other measuring units can be supplied

Excess pressure protection

standard: 1.3times
higher excess pressure protection see order details

Accuracy

class 1.0 per EN 837-1

Temperature ranges

operating temperature range (ambient and measured medium)
-20...+60 °C
storage temperature
-40...+70 °C

Temperature influence

± 0.4 % / 10 K of f.s.

Mounting

stand-alone, upon request with flange for surface mounting or for flush mounting with DIN mounting flange

Weights

DN 100: approx. 0.7 kgs
DN 160: approx. 1.2 kgs

Special design

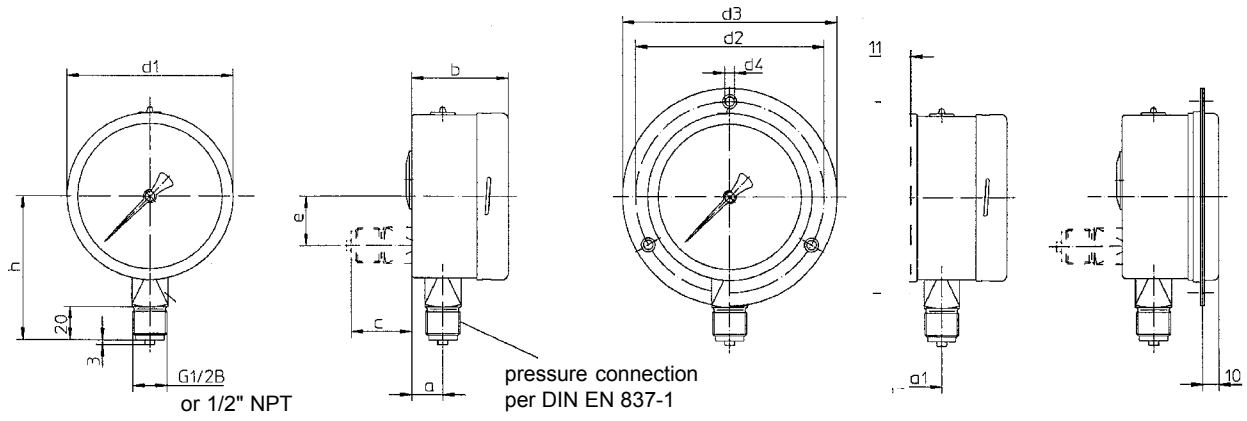
- construction type approval for connection to Zone 0, also for use with diaphragm seals
- restriction against pressure peaks
- certification of material testing for pressure connection and pressure element assembly per EN 10204 (DIN 50049)
- for acid gas application

Additional devices

also available with limit value controller see data sheet D3-025
also available with transmitter see data sheet D4-039

Information on other models see order details or upon request

Dimensions



other process connections see order code

dimensions (mm)											A/F
case	d1	a	b	d2	d3	d4	e	h	a1	c	square
DN 100	100	19	55,5	116	132	4,8	30	83	30	37	22
DN 160	160	19	55,5	178	196	5,8	60	113	30	37	22

Order Details - please give additional specifications for models not listed -

Bourdon tube pressure gauge DN 100/160, EN 873-1				nominal ranges		
case				nominal range	order code	
case	· DN 100		BA42 . .			
	· DN 160		BA43 . .			
case design	without case	· process connection bottom	00	-0.6...0 bar	085	
	filling	· process connection at back	10	-1...0 bar	086	
	with case	· process connection bottom	20	-1...0.6 bar	087	
	filling	· process connection at back	30	-1...1.5 bar	088	
process connection	· G 1/2 B		A2	-1...3 bar	089	
	· 1/2" NPT		B2	-1...5 bar	090	
	· M 20 x 1.5		C2	-1...9 bar	091	
nominal range	· per table		...	-1...15 bar	092	
additional features (to be indicated in case of need, only)						
excess pressure protection	· 2 times (measuring range 1...4 bar)			H2	0...0.6 bar	052
	· 2 times (measuring range 6...40 bar)			H3	0...1 bar	053
	· 1.5 times (measuring range 60...160 bar)			H4	0...1.6 bar	054
pointer	· with micro adjustment			I2	0...2.5 bar	055
window	· non-splintering glass with max. pointer				0...4 bar	056
	· non-splintering glass with adjustable reference pointer			R2	0...6 bar	057
	· Macrolon with max. pointer			R3	0...10 bar	058
	· Macrolon with adjustable reference pointer			R12	0...16 bar	059
marking	· on scale (pls specify)			R13	0...25 bar	060
	· fast reference pointer (pls specify)				0...40 bar	061
restrictor screw	· restrictor screw 0.3 mm			T2	0...60 bar	062
	· restrictor screw 0.6 mm			T3	0...100 bar	063
	· restrictor screw 1.0 mm				0...160 bar	064
case filling	· filling Glycerine			U2	0...250 bar	065
mounting	· rear flange for surface mounting			U3	0...400 bar	066
	· front flange for flush mounting			U4	0...600 bar	068
				.. 3	0...1000 bar	070
				V2		
				V3		
Order code (example):			BA4200	A2057		