

PROGRAMBLE CONVERTER

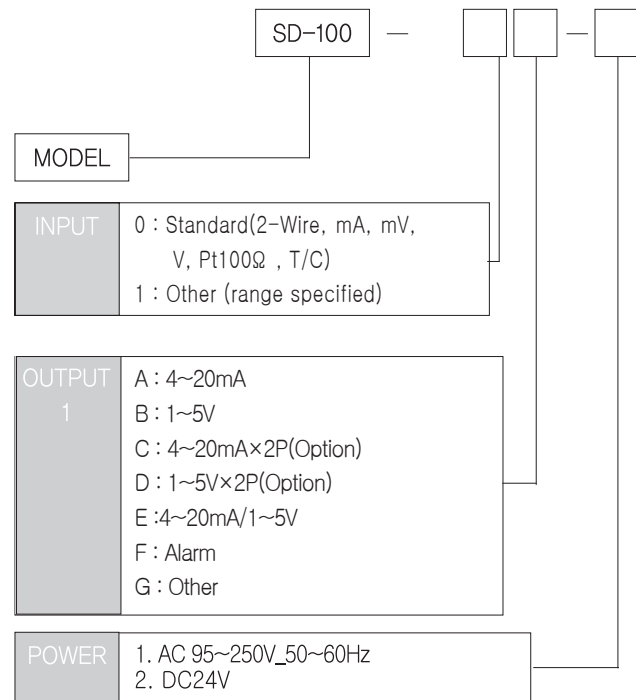
SD-100



FEATURE

- Universal input mode (2-wire, mA, mV, V, T/C, RTD)
- High effectiveness and high accuracy by using 16bit AD converter
- Peak hold function for various application
- Burnout function to give high output and display warning message for sensor disconnection

MODEL & SUFFIX CODE SELECTION



GENERAL SPECIFICATIONS

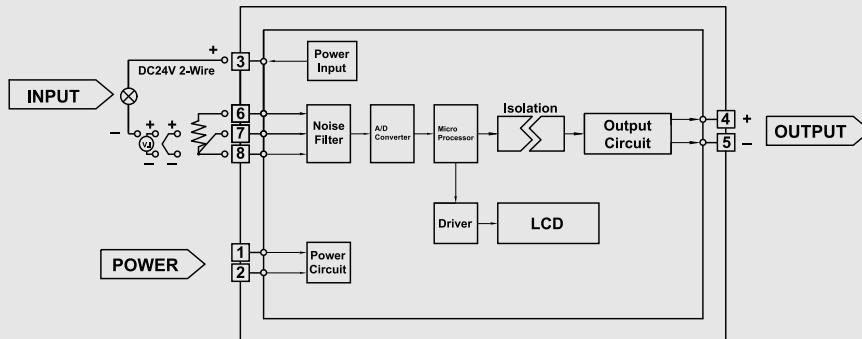
Power Supply	AC 95V~250V(50~60Hz ± 10%) / DC24V		
Isolation type	Input to Output to Power / Transformer Isolation type		
Accuracy	±0.1%(Max)		
Temp Coefficient	±0.015%/°C		
Linearity	±0.02% F.S		
Insulation Resistance	Greater than 100M Ω with DC 500V		
Dielectric Strength	Input - Power	AC2000V	1 minute
	Output1 - Power		
	GND - Power	AC1000V	
Overrange Output	approx-10%~110% at DC 1~5V ±5%		
Response Time	0.5 sec (0~90%)		
Operating Temperature/Humidity	-20~60°C /90%(N.C)		
Storage Temperature/Humidity	-20°C~80°C/95%(N.C)		
Dimensions	W34×H105×D100(mm)		
Case Material	ABS Resin(Black or Grey)		
Weight	about 200g		
Mounting	Din Rail mounting		

MULTI RANGE INPUT Free input selection by code

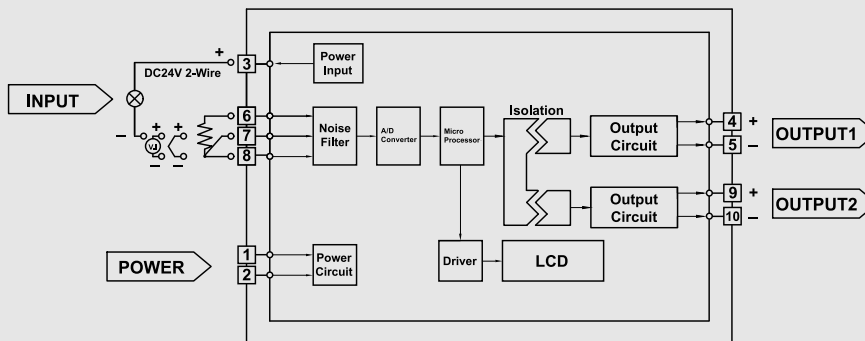
Input	Range of input and scale	MIN Span	Message
T/C	R (PR 13%)	0~1750°C	300.0°C
	K (CA)	-200~1350°C	300.0°C
	T/C E (CRC)	-200.0~700.0°C	200.0°C
	J (IC)	-200.0~800.0°C	200.0°C
	T (CC)	-200.0~400.0°C	50.0°C
RTD	Pt100Ω(DIN)	-200.0~800.0°C	50.0°C
	JPt100Ω	-200.0~500.0°C	50.0°C
mA	0~20.0mA(-9999~9999)		nR
mV	-50.0~50.0mV(-9999~9999)		nU
V	-10.00~10.00V(-9999~9999)		U
2-Wire	4~20mA(-9999~9999)		2Ur

BLOCK DIAGRAM

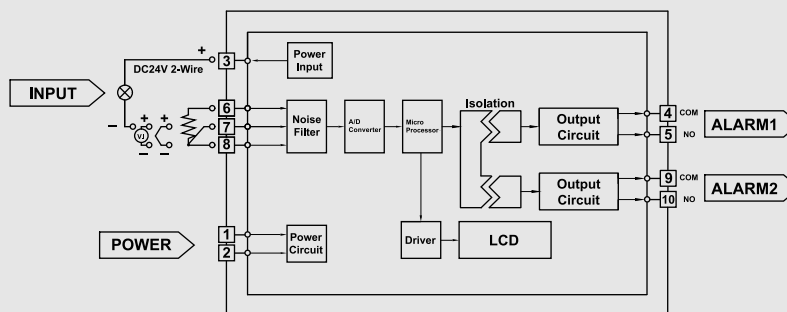
1 Point Output



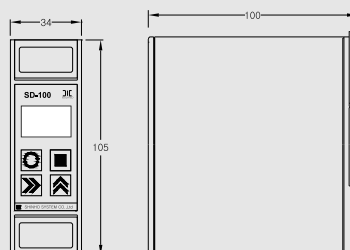
2 Point Output



Alarm Output



DIMENSIONS(unit :mm)



SIGNAL CONVERTER

SD-100

설정방법

설정방법(Alarm Output)

