

Product information

Load Cell Series KR



- Measuring ranges from 50 kg up to 30 t
- Operating temperature -15..+75 °C
- Accuracy 0.2 %
- Protection class IP65

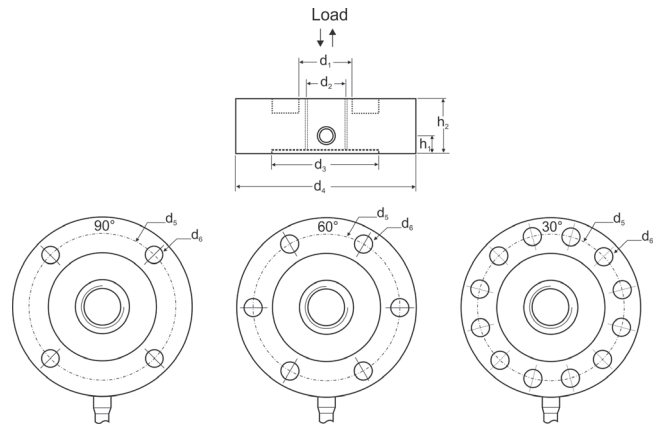
Characteristics

The cell is specified for industry applications like tanks, silos, and weighing bridges for force and traction loads up to 30 t.

Technical data

Power supply	
Bridge supply	: max. 20 V DC, 10 V DC recommended
Max. operating temperature	: -20..70 °C
Bridge sensitivity	: 350 Ohm
Output signal	: 2 mV/V, exact sensitivity on the type plate
Insulation resistance	: > 5000 MOhm
Accuracy	: 0.2 %
Repeatability	: <0.07 %
Zero unbalanced	: ± 2 %
Max. overload	: ± 150 %
Breaking load	: 300%
Connection cable	: 2 m 6-pole shielded, AWG26
Protection class	: IP67

Dimensions



Design 01

Design 02/03

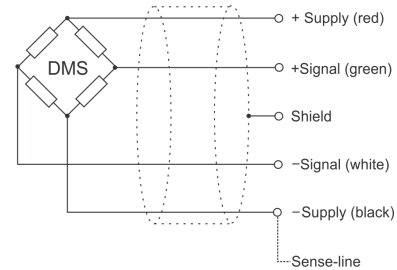
Design 04

Dimension table [mm]

Design	ød1	ød2	ød3	ød4	ød5	d6	h1	h2	N
01	10	M 6	60	78	69	4.5	9.5	27	4
02	20	M12x1	70	99	85	6.5	9.5	27	6
03	30	M20x1.5	80	118	98	8.5	9.5	35	6
04	72	M56x4	122	177	149	16.5	13	55	12

N=number of mounting holes

Connection diagram



The sense line is used to compensate line resistance from load cell to DMS transmitter. For distances more than 5 m it is recommended to use the sense line.

Ordering code

KR - - -

1. Design (see dimensions)	
01	nominal load 50 / 100 / 200 kg
02	nominal load 200 / 500 / 1000 kg
03	nominal load 2 / 3 t
04	nominal load 5 / 10 / 30 t
2. Measuring range [kg or t]	
please state in clear text	
3. Options	
00	without option