

Comet Gas Equipment Accessories



Introduction

CIGWELD Professional: when welding is your business

At CIGWELD we distinguish ourselves from our competition through superior featured, dependable products, technical innovation and excellence in customer service and technical support.

Our COMET Gas Equipment Accessories range is proof of this commitment to deliver quality equipment that exceeds expectations. A wealth of features and options make this equipment the perfect choice for the serious welding professional.

CIGWELD COMET Gas Equipment Accessories

COMET Gas Equipment offers a full range of accessories to tackle any gas cutting, welding or heating job. This diverse range includes hoses, flashback arrestors, thermic lancing equipment, manifold systems, Turbo Torch, Arcair Slice, and cutting machines, as well as a variety of spare parts.

These accessories are designed and manufactured to exacting tolerances to ensure precise compatibility and lasting performance, and comply with relevant clauses of the Australian Standards.

So don't compromise!

Insist on COMET to get the job done right . . . every time!

Contents & Key to Icons

Hose	4	Turbo Torch	25
Fitted Hose	4	Extreme Self-Lighting Torch	25
Hose Fittings	5	CSTK-9 Kit	25
COMET Bulk Hoses	6	Pro-Line™ Self-Lighting Acetylene Torch Kit	26
Flashback Arrestors	7	Pro-Line™ Self-Lighting LP Gas (Propane) Torch Kit	26
COMET Flashback Arrestors	7	Cutting Equipment	27
COMET Flashback Arrestors Selection Chart	11	Pipemate™	27
Accessories & Parts	12	Platemate™ 2	28
Thermic Lancing	19	Cutting System	29
Manifold Systems	20	Arcair Slice Cutting System	29
Temporary Manifolds	20		
Manual Change-Over Manifolds	21		
Manifold Accessories	22		
CIGWELD High Pressure Leads	23		
COMET Flowmate	24		
Manifold Spares	24		

Key to Icons



Warranty: This equipment is manufactured to stringent CIGWELD quality standards and is backed by a conditional warranty period as indicated.



Flashback Arrestor: Marked flashback arrestors conform to AS4603



Australian Standards: Relevant Australian Standards apply to selected items. Eg. Gas welding hose, Flashback arrestors, Welding goggles, etc.



Quality System: This equipment is manufactured to CIGWELD's Certified Quality System.



Gas Type: This equipment is designed for use with oxygen & acetylene.



Gas Type: This equipment is designed for use with oxygen & LP gas.



Suitable for heating: This equipment is designed for heating.



Suitable for welding: This equipment is designed for welding/brazing.



Suitable for cutting: This equipment is designed for cutting.

Fitted Hose



Part No.	Single/Twin	Gas type	Colour	Length	Nominal bore diameter	Fitting	Standard
308976	T	Oxy/Acetylene	Blue/Red	2.5 m	5mm	5/8"-18 UNF RM + LH both ends	AS1335
308693	T	Oxy/Acetylene	Blue/Red	5 m	5mm	5/8"-18 UNF RH + LH both ends	AS1335
308694	T	Oxy/Acetylene	Blue/Red	10 m	5mm	5/8"-18 UNF RH + LH both ends	AS1335
308624	T	Oxy/Acetylene	Blue/Red	15 m	5mm	5/8"-18 UNF RH + LH both ends	AS1335
308815	T	Oxy/Acetylene	Blue/Red	20 m	5mm	5/8"-18 UNF RH + LH both ends	AS1335
308904	T	Oxy/Acetylene	Blue/Red	25 m	5mm	5/8"-18 UNF RH + LH both ends	AS1335
308755	T	Oxy/LP Gas	Blue/Orange	5 m	5mm	5/8"-18 UNF RH + LH both ends	AS1335
308834	T	Oxy/LP Gas	Blue/Orange	15 m	5mm	5/8"-18 UNF RH + LH both ends	AS1335

Features

- All COMET hoses undergo stringent quality checks, ensuring quality and compatibility with relevant COMET hose fittings.
- Colour coding of hoses and different threads for fuel and oxygen prevents incorrect connections of hoses to the wrong gas type.
- COMET factory fitted hose assemblies are available in twin hose configurations. This helps keep the work area tidy and reduces the risk of damage.
- Secure, specifically designed hose fittings ensure operator safety

Hose -The essential link

It is important to use the correct type of hose for the required gas(es) to be used. Any non-standard application should always be checked by and approved before being put into operation.

Pressure drops will occur through hoses and hose fittings, therefore allowances must be made to compensate for this when setting up equipment and adjusting regulators.

10 mm bore hose should be used for large flow applications and where long lengths of hose are to be used.

Colour coding of hoses and different threads for fuel and Oxygen prevents incorrect connections of hoses to the wrong gas type. CIGWELD twin hoses help to keep the work area tidy, which reduces the risk of hose damage.

Spare Parts

CRIMPING TOOL

For 5mm and 10mm ferrules Part No: 308647

Specifications

Oxygen and Acetylene hoses conform to Australian Standards AS1335-1995

Colour coding

Gas	Colour
Oxygen	Blue
Acetylene	Red
LP Gas	Orange

CIGWELD hose can be purchased either as a complete assembly with fittings or in single length plus appropriate fittings



Hose Fittings

Ordering information

FITTINGS

5 mm ID Hose	Part No.
Connector kit, 5/8 – 18UNF RH (Screwed)	LP112
Connector kit, 5/8 – 18UNF LH (Screwed)	LP240
Connector kit, 5/8 – 18UNF RH (Crimped)	308689
Connector kit, 5/8 – 18UNF LH (Crimped)	308690

10 mm ID Hose	Part No.
Connector kit, 5/8 – 18UNF RH (Crimped)	308691
Connector kit, 5/8 – 18UNF LH (Crimped)	308692

HOSE JOINERS

5 mm ID Hose	Part No.
Screwed	LP265
Crimped	308686
10 mm ID Hose	Part No.
Crimped	308687

FITTED HOSE JOINERS

5 mm and 10 mm ID Hose	Part No.
5/8 – 18UNF RH	WB34
5/8 – 18UNF LH	WB35

ADAPTORS

Y-Piece adaptor for regulator outlets with 5/8" – 18 UNF RH Connections	R121
Y-Piece adaptor for regulator outlets with 5/8" – 18 UNF LH Connections	R215
Right angle connector, 5/8" – 18 UNF RH threads both ends	308670
Right angle connector, 5/8" – 18 UNF LH threads both ends	308671

Hose

COMET Bulk Hoses

AS

Part No.	Single/Twin	Gas type	Colour	Length	Nominal bore dia.	Standard
7904501	T	Oxy/Acetylene	Blue/Red	100 m	5mm	AS1335
7904509	T	OxyLP Gas	Blue/Orange	100 m	5mm	AS1335
7904503	S	Oxygen	Blue	100 m	5mm	AS1335
7904520	S	Inert	Black	100 m	5mm	AS1335
7904506	S	Oxygen	Blue	100 m	10mm	AS1335
7904505	S	Acetylene	Red	100 m	10mm	AS1335
7904507	S	LP Gas	Orange	100 m	10mm	AS1335

5mm Oxy/Acetylene



5mm Oxy/LPG



5mm Oxygen



5mm Inert



10mm Oxygen



10mm Acetylene



10mm LPG



Technical Tip

HOSE – Handling and Care

Long lengths of hose are not desirable. They tend to kink, are vulnerable to mistreatment. When long lengths must be used, be sure all connections are tight and ensure hose is protected from being stepped on, run over, kinked or tangled. Never use wire or insulation tape to fasten hose to connections nor to couple lengths of hose. Use only CIGWELD hose connections and couplings. Protect hose from sparks, hot slag, hot edges or open flames. Keep hose away from grease and oil. All new hose should be blown out before connecting welding equipment to remove talc, dust or water. Do not crimp hose to stop flow of gases temporarily when, for example, changing blowpipe. Red hose should always be used for fuel gas – blue hose for oxygen. Use only hose designed specially for oxygen and fuel gases. Hose specially manufactured for the purpose should only be used in cases where it may come into contact with liquid LP gas, such as when used with cylinders fitted with eductor tubes. Purge each length of hose before lighting the blowpipe. In other words, when hose is to be reconnected, treat it as you would new hose; before lighting up, pass through it some of the gas with which it is to be used.

Examine all hose periodically for leaks, worn parts, and loose connections. Test for leaks by immersing the hose in water. Carry out this test at normal working pressures. Should leaks or worn parts be found, at once cut out the section containing them. Remake joints with CIGWELD hose couplings.

The procedure to be adopted when re-fitting a connection to rubber hose:

- Slide connection taper sleeve over rubber hose.
- Attach nut and nipple to a blowpipe inlet connection.
- Hold the taper sleeve on the hose firmly with one hand and screw the blowpipe, with nut and nipple attached, into the sleeve and hose.

Never use a steel or copper pipe to make a temporary or permanent joint. Do not try to repair hose with tape.

If hose is burned in a flashback, discard that length of hose. Flashbacks may burn inner walls, making hose unsafe or cause further instability to the blowpipe equipment by blockage.

COMET Flashback Arrestors



Model F1 (regulator mounted)

Part No.	Model	Gas type	Connections	Connection to	Pressure rating	Max airflow l/min
308799	F1 Super	Oxygen	5/8"-18 UNF RH	Regulator outlet	1000 kPa	1122
308800	F1 Super	Fuel	5/8"-18 UNF LH	Regulator outlet	500 kPa (150 kPa Acetylene)	557 170



Designed for connection to the outlet of regulators, with the following features:

- Pressure actuated cut-off valve to prevent further gas flow after a flashback occurs. Operation is indicated by a signal level. After resetting the lever it is ready for immediate re-use.
- Non-return valve.
- Large surface stainless steel conical flame arrestor.
- Pressure relief valve to vent excessive pressure.
- Temperature activated shut-off valve.
- Supplied with inlet filter.
- Complies to AS4603.
- Conforms to EN730/DIN 8521, UL, ISO 5175 class I (fittings to AS4267-1995).
- Tested by BAM.

Ordering Information

OXYGEN

Flashback Arrestor – Model F1 Super
(Regulator Mounted) Part No. 308799

FUEL

Flashback Arrestor – Model F1 Super
(Regulator Mounted) Part No. 308800

Model F2R (regulator mounted)

Part No.	Model	Gas type	Connections	Connection to	Pressure rating	Max airflow l/min
308734	F2R	Oxygen	5/8"-18 UNF RH	Regulator outlet	1000 kPa	1133
308735	F2R	Fuel	5/8"-18 UNF LH	Regulator outlet	500 kPa (150 kPa Acetylene)	533 187



Designed for connection to the outlet of regulators and pipelines, with the following features:

- Non-return valve.
- Large cylindrical stainless steel flame arrestor.
- Medium-flow capacity.
- Supplied with inlet filter.
- Temperature activated cut-off valve.
- Complies to AS4603.
- Conforms to EN730/DIN 8521, UL, ISO 5175 class I (fittings to AS4267-1995).
- Tested by BAM.

Ordering Information

OXYGEN

Flashback Arrestor – Model F2R
(Regulator Mounted) Part No. 308734

FUEL

Flashback Arrestor – Model F2R
(Regulator Mounted) Part No. 308735

SET

1 x F2R Oxygen;
1 x F2R Fuel Part No. 308890

BULK

25 x F2R Oxygen Part No. 308734IND
25 x F2R Fuel Part No. 308735IND

NB: the thermal cut-off sealing element is not in the gas stream and is shrouded from flashbacks. The cut-off valve closes in the direction of flow assisted by a strong spring at an internal temperature of approximately 90°C. Operation is not indicated and the cut-off valve is not resettable by the user.

COMET Flashback Arrestors



Model F2B (blowpipe mounted)

Part No.	Model	Gas type	Connections	Connection to	Pressure rating	Max airflow l/min
308854	F2B	Oxygen	5/8"-18 UNF RH	Blowpipe inlet	1000 kPa	1250
308853	F2B	Fuel	5/8"-18 UNF LH	Blowpipe inlet	500 kPa (150 kPa Acetylene)	693 220



Designed for connection to the inlet of blowpipes where medium flow is required (handheld and machine), incorporating the following features:

- Non-return valve.
- Large cylindrical stainless steel flame arrestor.
- Medium flow capacity.
- Complies to AS4603.
- Conforms to EN730/DIN 8521, UL, ISO 5175 class I (fittings to AS4267-1995).
- Tested by BAM.

Ordering Information

OXYGEN

Flashback Arrestor – Model F2B
(Blowpipe Mounted) Part No. 308854

FUEL

Flashback Arrestor – Model F2B
(Blowpipe Mounted) Part No. 308853

SET

1 x F2B Oxygen;
1 x F2B Fuel Part No. 308891

BULK

26 x F2B Oxygen Part No. 308854IND
26 x F2B Fuel Part No. 308853IND

Model F6 (blowpipe mounted)

Part No.	Model	Gas type	Connections	Connection to	Pressure rating	Max airflow l/min
308777	F6	Oxygen	5/8"-18 UNF RH	Blowpipe inlet	2000 kPa	1000
308778	F6	Fuel	5/8"-18 UNF LH	Blowpipe inlet	500 kPa (150 kPa Acetylene)	463 148



Designed for connection to the inlet of blowpipes (handheld and machine), incorporating the following features:

- Non-return valve.
- Cylindrical stainless steel flame arrestor.
- Supplied with inlet filter.
- Complies to AS4603.
- Conforms to EN730/DIN 8521, UL, ISO 5175 class I (fittings to AS4267-1995).
- Tested by BAM.

Ordering Information

OXYGEN

Flashback Arrestor – Model F6
(Regulator Mounted) Part No. 308777

FUEL

Flashback Arrestor – Model F6
(Regulator Mounted) Part No. 308778

SET

1 x F6 Oxygen;
1 x F6 Fuel Part No. 308889

BULK

25 x F6 Oxygen Part No. 308777IND
25 x F6 Fuel Part No. 308778IND

COMET Flashback Arrestors



QuickConnect

Part No.	Model	Gas type	Connections	Connection to	Pressure rating
308362	F6Q	Fuel	5/8"-18 UNF LH	Blowpipe inlet	Acet 150 kPa; LP/Nat Gas 500 kPa
308363	F6Q	Oxygen	5/8"-18 UNF RH	Blowpipe inlet	2000 kPa
308364	F2RQ	Fuel	5/8"-18 UNF LH	Regulator outlet	Acet 150 kPa; LP/Nat Gas 500 kPa
308365	F2RQ	Oxygen	5/8"-18 UNF RH	Regulator outlet	2000 kPa
308366	F2BQ	Fuel	5/8"-18 UNF LH	Blowpipe inlet	Acet 150 kPa; LP/Nat Gas 500 kPa
308367	F2BQ	Oxygen	5/8"-18 UNF RH	Blowpipe inlet	2000 kPa



Designed for connection to the inlet of blowpipes OR the outlets of regulators, with the following features:

- Quick disconnect for equipment storage
- Allows for quick connection and safe interchange of equipment
- Integral shutoff valve ensures gas tight seal when disconnected
- Unique barb design prevents improper gas connection
- Spare barbs available.
- Complies to AS4603.

Ordering Information

OXYGEN

Flashback Arrestor – Model F6Q
(Blowpipe Mounted) Part No. 308363

FUEL

Flashback Arrestor – Model F6Q
(Blowpipe Mounted) Part No. 308362

OXYGEN

Flashback Arrestor – Model F2RQ
(Regulator Mounted) Part No. 308365

FUEL

Flashback Arrestor – Model F2RQ
(Regulator Mounted) Part No. 308364

OXYGEN

Flashback Arrestor – Model F2BQ
(Blowpipe Mounted) Part No. 308367

FUEL

Flashback Arrestor – Model F2BQ
(Blowpipe Mounted) Part No. 308366

Ordering Information - Spare Parts

Connection barb to suit
F6Q, F2BQ (fuel) Part No. 308369

Connection barb to suit
F6Q, F2BQ (oxy) Part No. 308368

Connection barb to suit
F2RQ (fuel) Part No. 308373

Connection barb to suit
F2RQ (oxy) Part No. 308372

COMET Flashback Arrestors



Model 85-10

Part No.	Model	Gas type	Connections	Connection to	Pressure rating	Max airflow l/min
308831/308859/308861/308882	85-10	Oxygen	Various	see ordering details	1000 kPa	5500
308830/308860/308862/308883	85-10	Fuel	Various	see ordering details	500 kPa (150 kPa Acetylene)	1040 337



85-10P



85-10B



85-10R



85-10R-LP

Designed for high-flow applications: Blowpipe mounting (85-10B), Regulator mounting (85-10R) and Pipeline installations (85-10P). They incorporate the following features:

- Non-return valve.
- Large cylindrical stainless steel flame arrestor.
- High-flow capacity.
- Temperature activated cut-off valve.
- 85-10R and 85-10P supplied with inlet filter.
- 85-10B has offset connections to accommodate their size onto the blowpipe.
- 85-10R takes full advantage of the CIGWELD high-flow regulators (TR92 Oxygen, TR93 Acetylene) with their 5/8" BSP high flow outlet connection.
- 85-10R is suitable for use with COMET regulators fitted with the standard welding hose connection 5/8"-UNF.
- Conforms to EN730, ISO 5175 class I.
- Tested by BAM.

NB: the thermal cut-off sealing element is not in the gas stream and is shrouded from flashbacks. The cut-off valve closes in the direction of flow assisted by a strong spring at an internal temperature of approximately 90°C. Operation is not indicated and the cut-off valve is not resettable by the user.

Ordering Information

OXYGEN

Flashback Arrestor – Model 85-10P (5/8" BSP)	Part No. 308831
Flashback Arrestor – Model 85-10R (5/8" BSP - 5/8"-18UNF)	Part No. 308859
Flashback Arrestor – Model 85-10B (5/8"-18UNF)	Part No. 308861
Flashback Arrestor – Model 85-10R-LP (5/8"-18UNF)	Part No. 308882

FUEL

Flashback Arrestor – Model 85-10P (5/8" BSP)	Part No. 308830
Flashback Arrestor – Model 85-10R (5/8" BSP - 5/8"-18UNF)	Part No. 308860
Flashback Arrestor – Model 85-10B (5/8"-18UNF)	Part No. 308862
Flashback Arrestor – Model 85-10R-LP (5/8"-18UNF)	Part No. 308883

P= Pipeline (High-flow)
 R= Regulator Mounted (High-flow) 5/8" BSP - 5/8"-18UNF
 B= Blowpipe Mounted (High-flow)
 LP= Regulator Mounted (High-flow) 5/8"-18UNF - 5/8"-18UNF

COMET Flashback Arrestors



Selection Chart

Process	Part Number	Nozzle/Tip Size	Regulator (Outlet pressure kPa)	Regulator Mounted Flashback Arrestor	HOSE		Blowpipe Mounted Flashback Arrestor	
					Min ID (mm)	Max Length(m)		
WELDING	307056, 307057 307000-307005 307006	4 to 26 32	COMET 700 Oxy (4-15:50, 20-26:100) COMET 700 Acet (4-15:50, 20-26:100) COMET 700 Oxy (150) COMET 700 Acet (100)	F2R, F1 SUPER, 85-10R(-LP) -	5 5	20 5	F6, F/Buster F6, F2B, 85-10B F2B, 85-10B	
	306068	10 x 12 HT	COMET 700 Oxy (350) COMET 700 Acet (100)	F2R, F1 SUPER, 85-10R(-LP)	5	20	F6, F/Buster F6, F2B, 85-10B	
	306034	20 x 9 HT	COMET 700 Oxy (500) COMET 500 LPG (100)	F2R, F1 SUPER, 85-10R(-LP)	5	20	F6, F/Buster F6, F2B, 85-10B	
HEATING TIPS	307007	8 x 12 HT	COMET 700 Oxy (150) COMET 700 Acet (100)	- F2R, F1 SUPER, 85-10R(-LP)	5 10	5 20	F2B, 85-10B F6, F/Buster F6, F2B, 85-10B	
	307121	8 X 12 (SHA1)	COMET 700 Oxy (150) COMET 700 Acet (100)	- F2R, F1 SUPER, 85-10R(-LP)	5 10	5 20	F2B, 85-10B F6, F/Buster F6, F2B, 85-10B	
	307122	12 x 12 (SHA2)	COMET 700 Oxy (200) COMET 700 Acet (100)	F2R, F1 SUPER, 85-10R(-LP)	10	20	F6, F/Buster F6, F2B, 85-10B	
	307120	18 x 12 (SHP1)	COMET 700 Oxy (500) COMET 500 LPG (100)	-	5	10	F6, F/Buster F6, F2B, 85-10B	
				F2R, F1 SUPER, 85-10R(-LP)	5	10	F2B, 85-10B	
				F2R, F1 SUPER, 85-10R(-LP)	10	20	F6, F/Buster F6, F2B, 85-10B	
	307119	36 x 12 (SHP2)	COMET 700 Oxy (600) COMET 500 LPG (100)	-	10	10	F6, F/Buster F6, F2B, 85-10B	
				F2R, F1 SUPER, 85-10R(-LP)	10	10	F2B, 85-10B	
				85-10R(-LP)	10	10	F/Buster F6, F2B, 85-10B	
	307118	48 x 12 (SHP3)	COMET 700 Oxy (800) COMET 500 LPG (150)	F2R, F1 SUPER, 85-10R(-LP)	10	10	F2B, 85-10B	
				TR92 Oxy (1000) COMET 700 (1000) COMET 500 LPG (300)	F2R, F1 SUPER, 85-10R(-LP)	10	20	F6, F/Buster F6, F2B, 85-10B
				307117	48 x 15 (SHP4)	TR92 Oxy (1000) COMET 700 (1000) COMET 500 LPG (300)	F2R, F1 SUPER, 85-10R(-LP)	10
CUTTING	306046-306050 306025, 306026, 306028-306030, 306067	Type 41 & 44 - 6, 8, 12, 15, 20 (up to 150mm plate thickness)	Oxy: COMET 700 Oxy (up to 220l/min@450) Fuel: 41 - COMET 700 Acet (100), 44 - COMET 500 LPG (150)	- F2R, F1 SUPER, 85-10R(-LP) F2R, F1 SUPER, 85-10R(-LP) F2R, F1 SUPER, 85-10R(-LP)	5 10 5	10 20 20	F6, F/Buster F6, F2B, 85-10B F2B, 85-10B F6, F/Buster F6, F2B, 85-10B F6, F/Buster F6, F2B, 85-10B	
	306051, 306052 306031, 306032	TYPE 41 & 44 - 24, 32 (greater than 150mm plate thickness)	Oxy: COMET 700 Oxy (up to 450l/min@800) Fuel: 41 - COMET 700 Acet (150), 44 - COMET 500 LPG (150)	F2R, F1 SUPER, 85-10R(-LP)	10	10	F2B, 85-10B	
	306076	15RC	Oxy: COMET 700 Oxy (500) Fuel: 41 - COMET 700 Acet (100), 44 - COMET 500 LPG (150)	F2R, F1 SUPER, 85-10R(-LP)	10	20	F6, F/Buster F6, F2B, 85-10B	
				F2R, F1 SUPER, 85-10R(-LP)	5	20	F6, F/Buster F6, F2B, 85-10B	
	RIVET CUTTING GOUGING	306035-7, 306054-6 306038, 306033 306077	32GB, 48GB, 64GB 32GS 60DG	Oxy: TR92 Oxy (1000) COMET 700 (1000) Fuel: 41 - COMET 700 Acet (150), 44 - COMET 500 LPG (300)	F2R, F1 SUPER, 85-10R(-LP) F2R, F1 SUPER, 85-10R(-LP)	10 5	20 20	F6, F/Buster F6, F2B, 85-10B F6, F/Buster F6, F2B, 85-10B
		306078	15 x 51 FW	Oxy: TR92 Oxy (1000) COMET 700 (1000)	F2R, F1 SUPER, 85-10R(-LP)	10	20	F6, F/Buster F6, F2B, 85-10B
FLAME WASHING	307049 307048	75mm 175mm	Fuel: 41 - COMET 700 Acet (100), 44 - COMET 500 LPG (300)	F2R, F1 SUPER, 85-10R(-LP)	5	20	F6, F/Buster F6, F2B, 85-10B	

Key to the chart

Flashback arrestor model, placement, hose length, hose diameter, regulator outlet pressure and application inlet pressure are interrelated. For full protection it is essential all components have adequate flow capacity when used as an inter-connected system. Operation outside the recommendations eg. smaller hose diameter, longer length of hose, no flashback arrestor or smaller than indicated flashback arrestor could lead to flame instability and tip starvation. This increases the likelihood of a flashback.

Combinations in the table above fall under two different categories:

White Box – Full protection is provided with both regulator mounted and blowpipe mounted flashback arrestors providing sufficient inlet pressure for the application to have optimum flow and flame stability. This should be selected wherever possible.

Blue Box – Only blowpipe mounted flashback arrestors can be fitted to allow sufficient inlet pressure for the application. These combinations should be used only when those highlighted white are not practical or possible. Note the level of protection will not be optimal.

The maximum recommended safe length of hose is 30M. Greater lengths than this are not recommended due to pressure drop and the operator being too far from the cylinders. This table is for hand held blowpipe applications only, not for machine cutting applications. For more detailed information consult the flow charts of the relevant flashback arrestors.

Accessories

Radius Bar & Pivot



To be used in conjunction with Roller Guide (308729). The Radius Bar, when fitted to the Roller Guide, enables circles of up to 960mm diameter to be cut.

Ordering Information

Radius Bar & Pivot Part No. 308752

Roller Guide

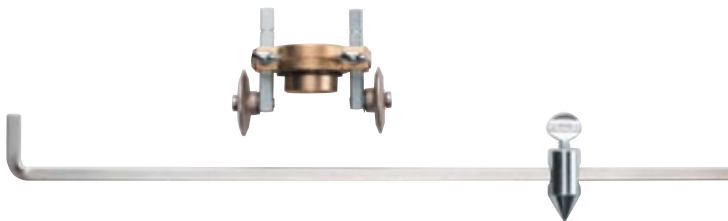


Suits COMET 3, VECTOR™, COLT™, SABRE, Spectra, Multi-purpose and Firefox blowpipes. Roller guide attaches to cutting nozzle and permits easy cutting of straight lines. The unit is fully adjustable, allowing it to be raised or lowered, or tilted for angle cutting.

Ordering Information

Roller Guide Part No. 308729

Combination Roller & Rotating Circle Guide



The COMET combination roller guide and rotating circle guide can be fitted to COMET torches to allow accurate control whilst cutting straight lines and circles.

- Fits COMET torches, type 41/44 tips
- Rotating head design allows full 360° cutting from one position – no need to move!
- Cuts accurate holes from 70mm (2¾") diameter up to 710mm (28") with radius bar provided
- Wheel hubs fitted with non-jamming guards
- Non-rusting stainless steel axle & guards
- Constant tip height – increases cut quality & speed
- Improves nozzle life

Ordering Information

Combination Roller & Rotating Circle Guide Part No. 308354

Accessories

Gas Economiser (Acetylene)



Ordering Information

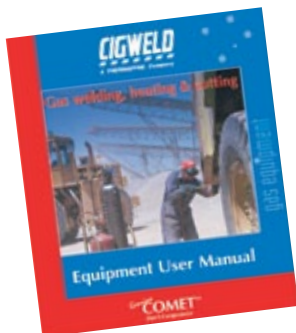
Gas Economiser
Acetylene Part No. 308503

Allows the operator to extinguish and relight the blowpipe simply and quickly without having to touch the regulator or blowpipe valve settings. Flame will always relight to original settings. Operates with Acetylene. Factory adjusted to 'shut-off' fuel gas prior to Oxygen to prevent flame from 'snapping' when extinguished.

Unique spring adjustment means positive shut-off even with very light or heavy blowpipes.

Solid brass construction with holes for bench mounting provided. Pilot burns with a clean smokeless flame. Ideally suited for applications where constant relighting is required in such locations as technical schools, light production lines, workshops, test benches, etc.

CIGWELD Gas Welding & Cutting Hints Handbook



Ordering Information

CIGWELD Gas Welding &
Cutting Hints Handbook Part No. 312943

Everything you need to know about COMET equipment including safety, set up, lighting procedures, closing down procedures, welding and cutting procedures, equipment and charts.

Flint Lighter



Ordering Information

Flint Lighter Part No. 308789

Metal Cup Type with replaceable flint. Ensures quick, easy lighting up.

Accessories

Flints (pack of 10)



Suits flint lighter (308789).

Ordering Information

Flints (pack of 10) Part No. 308790

Three Flint Lighter



Rigid arm design concentrates more force onto the flint. End cup pockets the gas for quicker lighting. Spare flints dialled into position via adjusting nut. Flint centred on abrasion cylinder for even wear. Simple ergonomic design.

Ordering Information

Three Flint Lighter Part No. 308832

Flints (pack of 5)



Suits Three Flint Lighter (308832).

Ordering Information

Suits Three Flint Lighter Part No. 308833

Electronic Lighter



This rugged, all steel construction piece, electronic lighter is guaranteed to work every time and is easy to hold and use. Suitable for use with all Air/Fuel and Oxy/Fuel equipment. Continuous sparking when lever depressed.

Ordering Information

Electronic Lighter Part No. 308700

Accessories

Combination Spanner



Accommodates four nut sizes and is designed to be used for regulator cylinder valve nuts, hose connections, Type 40 nozzle nut and Roller Guide adjusting bolts.

Ordering Information

Combination Spanner Part No. 309258

Cylinder Key



For use with all CIGWELD cylinder valves (not Handwheel operated types).

Ordering Information

Cylinder Key Part No. 309275

Tip Cleaner Wire Set - LP Gas/Natural Gas Nozzles

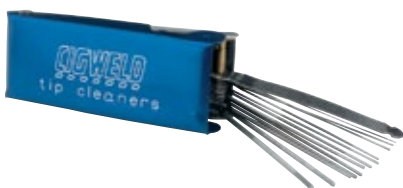


Suitable for tips, nozzles and Hi-Speed nozzles. Removes carbon or loose slag without damaging gas parts. Also contains a wire brush for cleaning slots in Type 44 nozzles.

Ordering Information

Tip Cleaner Wire Set Part No. 308013

Tip Cleaner Set - Acetylene Nozzles



Contains eleven wires and a file in a metal case. Suitable for Type 41 Acetylene nozzles and tips.

Ordering Information

Tip Cleaner Set Part No. 308036

Accessories

Cleaning Drills



Includes drill sizes:

- No. 05
- No. 06
- No. 07
- No. 08
- No. 10
- No. 11
- No. 12
- No. 15
- No. 20
- No. 24
- No. 26
- No. 32

Ordering Information

Cleaning Drills
sizes 05-32 Part No. 308510

Soapstone Holder



For marking steel plate and other metals. Holder comes complete with soapstone. For refills refer to CIGWELD Part Number 308580.

Ordering Information

Soapstone Holder Part No. 308578

Soapstone Holder refills



Soapstone refills. Suits soapstone holder Part Number 308578.

Ordering Information

Soapstone Holder refills Part No. 308580

Nozzle Nut



To fit COMET 3, SABRE and MULTI-PURPOSE cutting torches.

Ordering Information

Nozzle Nut (shipper of 50) Part No. 304576
Nozzle Nut (retail pack x 1) Part No. 304014

Accessories

Blanking Caps



For blanking off items such as regulators and hose. The model with chain secures the nut to the regulator to avoid loss.

Ordering Information

5/8"-18 UNF RH Blanking Cap	Part No. 333199
5/8"-18 UNF LH Blanking Cap	Part No. 333200

Blanking Plugs

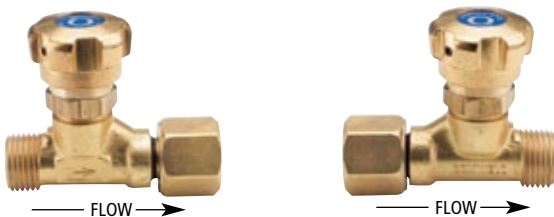


For blanking or plugging off cylinder or point valves, circlip avoids the spigot and nut separating.

Ordering Information

Type 10 plug for oxygen & inert gases	Part No. MC14
Type 20 plug for acetylene & hydrogen	Part No. 361583

Control Valves



In-line fine control valves for use with gas welding hose.

Ordering Information

Part No.	Inlet	Outlet	Ways Size (mm)	Type	Application	Flow (l/min) @ Pressure (kPa)
Small Valves - Blowpipe inlet						
308524	5/8"-18 UNF RH Male	5/8"-18 UNF RH Female	2	Fine adjusting	Blowpipe inlet	400 @ 200
308525	5/8"-18 UNF LH Male	5/8"-18 UNF LH Female	2	Fine adjusting	Blowpipe inlet	25 @ 100
Small Valves - Regulator outlet						
308571	5/8"-18 UNF RH Female	5/8"-18 UNF RH Male	2	Fine adjusting	Regulator outlet	400 @ 200
308572	5/8"-18 UNF LH Female	5/8"-18 UNF LH Male	2	Fine adjusting	Regulator outlet	25 @ 100

Accessories

Pressure Gauges



COMET gauges go far beyond the normal requirements of standard industry gauges. Precision made in Germany to conform to AS 1349 they include features such as colour coded information, solid baffle bulkhead protection between the gauge face and working components to protect the operator, wider scales to set pressure accurately, fail-safe construction – no parts are thrown in the event of over-pressurisation.

Ordering Information

Part No.	Pressure Range kPa	Gas Type	Part No.	Pressure Range kPa	Gas Type
301624	300	Acetylene	301817	4,000	Plain
301808	300	Plain	310378	4,000	Acetylene
310377	300	Acetylene	301818	10,000	Plain
301623	600	Oxygen	301819	10,000	Oxygen
301854	600	Plain	301299	20,000	Nitrous Oxide
301856	1,000	Plain	301628	30,000	Plain
310364	1,000	Oxygen	301626	30,000	Oxygen
301290	1,000	Nitrous Oxide	301822	30,000	Carbon Dioxide
301660	1,600	Oxygen (Weld)	310380	30,000	Oxygen
301853	1,600	Oxygen	301823	40,000	Oxygen
301857	1,600	Plain	301824	50,000	Plain
310379	1,600	Oxygen	301308	30 Lpm	Ethylene
301627	4,000	Acetylene	301625	55 Lpm	Plain
301816	4,000	Oxygen			

Thermic Lancing



Fast, quiet and versatile, CIGWELD thermic lancing is the most advanced method of slicing through hard-to-clear materials, particularly reinforced concrete. Ideal for demolition work, it takes only a fraction of time required by other methods. Economical, portable and extremely easy to operate, the CIGWELD thermic lance is the ultimate general purpose tool for all concrete.

Ordering Information

Part No.	Description
335072	Thermic lance holder (including valve) 5/8"-18 UNF RH connection
301637	COMET 700 oxygen regulator (1,000 kPa model only)
7904506	COMET 10mm blue oxygen hose (available from Thermadyne distributors by the metre)
308859	Flashback arrestor – Model 85-10R
308691	COMET 10mm crimped hose fitting (2 required)

Consumable Thermic Lances

Part No.	Description
335074	16mm OD Thermic lance x 2.7m
335073	19mm OD Thermic lance x 2.7m

Spare Parts

Part No.	Description
304321	Kit containing 16mm thrust washer, lance holder bush, circlip and rubber collet
304322	Kit containing 19mm thrust washer, lance holder bush, circlip and rubber collet

The CIGWELD thermic lance makes short work of tough materials. Silent, simple, fully portable, assured results on:

- Reinforced concrete
- Mass concrete
- Granite
- Quartzite
- Fused alumina
- Sandstone
- Copper slag
- Firebrick mixture
- Glass
- Brick (coreheart)
- Railway bogies
- Ship propellers
- Steel piles and foundations
- Piercing concrete

The Process

Thermic lancing is essentially oxygen cutting with a steel tube packed with steel rods. Oxygen passed through the tube reacts with the iron in the rods, so that when the lance is ignited it becomes a source of intense heat and forms a fluid slag that flows out of the cavity. The lance is slowly consumed as work progresses. Pre-heating the tip with a COMET 3 gas-welding blowpipe ignites the lance.

Quiet

No noise. No shudder. No fuss. Unlike noisy pneumatic hammers, drills and electric tools, thermic lancing is quiet and vibration-free. As a result, it can be used close to noise sensitive areas such as libraries, hospitals, law courts, etc.

Easy to own, easy to run

The CIGWELD thermic lancing package has been designed for use in conjunction with standard oxy-acetylene equipment. The lancing handle is made of standard pipefittings (5/8"-18 UNF RH). A basic understanding of oxygen cutting is all that is required. Operating costs vary depending on the application, lance consumed would be approximately ten times the depth of the hole pierced.

You can take it anywhere

Not dependent on electric power, it's at home anywhere – factory or site. The only equipment required is a standard COMET 3 gas set for preheating and cylinder or crate oxygen supply.

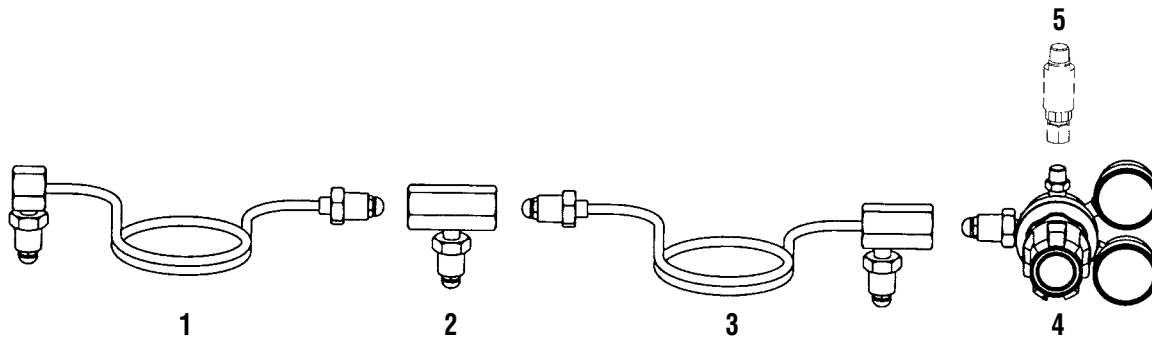
The performance never varies

CIGWELD thermic lances are designed and produced to precise standards which effectively optimises lance consumption and oxygen usage. This assures you of guaranteed control of all operating factors, including labour and material costs.

Equipment required

Equipment required consists of a thermic lance holder fitted with a gas control valve into which the lance is fitted, cylinders of oxygen, a gas regulator and a length of hose. The operator should wear full protective clothing.

Temporary Manifolds



Specifications

Gas	Part 1 End Connecting Coil	Part 2 Junction Block	Part 3 Extension Coil	Part 4 Regulator	Part 5 Flashback Arrestor Description Regulator Mounted	Part No.	
Oxygen	MC5	MC1	MC9	COMET 700 - 301637	Highflow 85-10R Oxy (5/8" BSP-5/8"-18 UNF RH)	308859	
				COMET 750 - 301871	Highflow 85-10R Fuel (5/8" BSP-5/8"-18 UNF LH)	308860	
				Compact High flow - TR92	Highflow 85-10R LP Oxy (5/8"-5/8"-18 UNF RH)	308882	
				(Plus Adaptor 360117)	Highflow 85-10R LP Fuel (5/8"-5/8"-18 UNF LH)	308883	
Acetylene	MC7	MC3	MC11	COMET 700 - 301532	Medium flow F2R Oxy (5/8"-5/8"-18 UNF RH)	308734	
				Compact High flow - TR93	Medium flow F2R Fuel (5/8"-5/8"-18 UNF LH)	308735	
Nitrogen	366125	366127	366129	COMET 700 - 310345 COMET 750 - 310350	Note: Withdrawal rates from acetylene cylinders are limited to about 1/7th of the cylinder contents of 7m ³ capacity, the maximum recommended flow is 1m ³ /hr (17 l/min). For applications exceeding this capacity, cylinders should be manifolded - if in doubt refer to the gas supplier.		
Argon	MC5	MC1	MC9	COMET 500 - 301527			
Air	366126	366128	366130	COMET 700 - 310352			
				COMET 750 - 310356			
Helium	MC5	MC1	MC9	COMET 700 - 301800			

Applications

Examples of where temporary manifolds are used are for flame cleaning of large structures, prolonged heating or lancing operations. The heavy Oxygen and fuel demands of these jobs can be met by manifolding two or more cylinders together according to flow rate required and duration of the job.

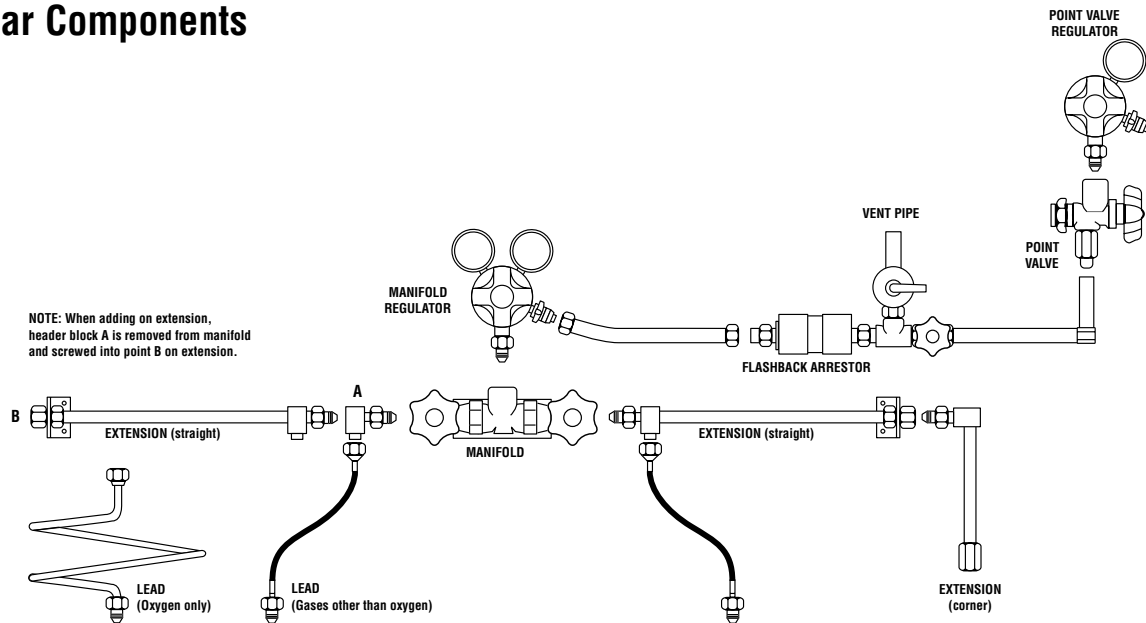
Features

Temporary manifolds are ideal for "on-site" jobs where an uninterrupted supply of gas is required in excess of that provided by one cylinder. They are highly portable and may be extended to include any number of cylinders where a large capacity is necessary. By manifolding two or more cylinders together, high draw-off rate can be obtained without interruptions.

By using CIGWELD gas manifolds you gain: reduced cylinder handling, gas savings, lower cylinder rental, more floor space, fewer equipment repairs and simplified stock control.

Manual Change-Over Manifolds

Modular Components



Ordering Information

Thermadyne now makes it easier to order manifolds. Instead of ordering parts separately, simply choose from the complete kits table below.

	Oxygen	Oxygen High Flow	Argon	Carbon Dioxide	Acetylene	Hydrogen	Nitrogen	1x1	2x2	3x3	4x4
Manifold Kit (VI)	360195	360196	360140	360141	360139	360142	366131	1 Off	1 Off	1 Off	1 Off
Extension Kit (VI)	360194	360194	360145	360146	360144	360147	366132	-	1 Off	2 Off	3 Off

Manifold Kit comprises of:





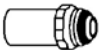
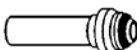
- 1 x Manifold
- 1 x Regulator
- 1 x High pressure leads
- 1 x Flashback arrestor (where applicable)
- 1 x Connection kit

Extension Kit comprises of:

- 2 x Straight extensions
- 2 x High pressure leads

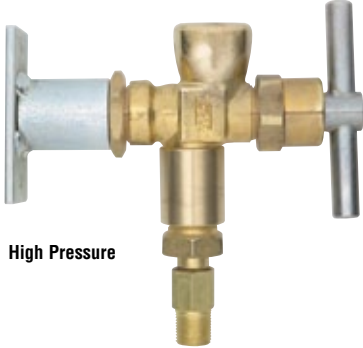
Pipeline connection kit – regulator to pipeline:

These kits allow you to connect to a regulator controlling pressure from a manifold to a pipeline. A pipeline flashback arrestor can also be added at this connection point if required. (see page XX for more flashback arrestor details)

Part No.	Description	Part No.	Description
360193	Kit for oxygen and inert gases	360192	Kit for fuel gases
	Outlet connector 5/8" BSP RH		Outlet connector 5/8" BSP LH
	5/8" BSP nut RH		5/8" BSP nut LH
	1/2" brass nipple to braze to pipeline		1/2" steel nipple to braze to pipeline
	O-ring for nipple		O-ring for nipple

Manifold Accessories

Manifold Valves



High Pressure

Manifold Valves have inlet connections to suit standard high pressure flexible gas leads and they are intended to be used as a single fixed point manifold with supply from a cylinder via a flexible lead.

Point Valves are intended for use as outlets on low or medium pressure pipeline systems not exceeding 2100 kPa and they have inlet fittings suitable for permanent pipeline connection.

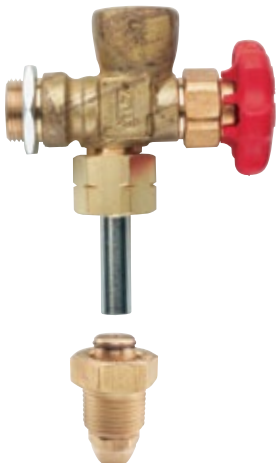
Low pressure point valves may require wall mounting bracket part number 360232.

Specifications

Part No.	Gas	Outlet	Inlet	Actuation	Seat
MANIFOLD VALVES					
360028	Oxygen, (High pressure)	5/8" BSP R.H. Int. AS 2473 Type 10	3/8" BSP R.H. Ext. (high pressure type)	T-Bar	Copper
360029	Acetylene, L.P. Gas. (High pressure)	5/8" BSP L.H. Int. AS 2473 Type 20	3/8" BSP L.H. Ext. (high pressure type)	Fixed Handwheel	Nylon
366133	Nitrogen (High pressure)	24x2mm Whit Form RH Ext. AS 2473 Type 50	3/8" BSP RH Ext. (high pressure type)	Fixed Handwheel	Nylon
360136	Argon,Helium (High pressure)	5/8" BSP RH Int. AS 2473 Type 10	3/8" BSP RH Ext. (high pressure type)	Fixed Handwheel	Nylon
360149	Hydrogen (High Pressure)	5/8" BSP LH Int. AS 2473 Type 20	3/8" BSP L.H. Ext. (high pressure)	Fixed Handwheel	Nylon
POINT VALVES					
360026	Oxygen, Argon Helium (Low pressure)	5/8" BSP R.H. Int. AS 2473 Type 10	Brass nipple for 12.7 mm dia. copper tube (low pressure type)	Fixed Handwheel	Nylon
360027	Acetylene, L.P. Gas (Low pressure)	5/8" BSP L.H. Int. AS 2473 Type 20	12.7 mm dia. steel nipple (low pressure type)	Fixed Handwheel	Nylon

Point Valves

Low Pressure



Valve spares:

Use no oil on assembly.

Part No.	Description
360197	Kit Seat & Stem assembly for all point valves except high pressure oxygen
360198	Kit Seat & Stem assembly for high pressure oxygen only
360232	Wall mounting bracket

Point Valve Plugs:

These are used to seal off any point valves not in service to prevent contaminants entering the valve recess and also to protect against valve tampering or leaks.

Part No.	Connection
MC14	Type 10
361583	Type 20

CIGWELD High Pressure Leads

Standard Hose

Specifications

Part No.	Description	Cylinder Connection	Length (mm)	Manifold Connection
360093	Oxygen 20,000kPa @15°C	Type 10	1200	3/8" BSP RH INT.
366136	Argon 20,000 kPa @ 15°C	Type 10	800	3/8" BSP RH INT.
366135	Acetylene 20,000 kPa @ 15°C	Type 20	800	3/8" BSP LH INT.
366134	CO ₂	Type 30	800	3/8" BSP RH INT.
366122	Nitrogen 20,000 kPa @ 15°C	Type 50	800	3/8" BSP RH INT.
366119	Air 20,000 kPa @ 15°C	Type 60	800	3/8" BSP RH INT.

Smart-Hose™ with check valves and anti-whip

Specifications

Part No.	Description	Cylinder Connection	Length (mm)	Manifold Connection
366105	Argon 20,000kPa @15°C	Type 10	1800	3/8" BSP RH INT.
366108	Acetylene 20,000 kPa @ 15°C	Type 20	1800	3/8" BSP LH INT.
366124	Nitrogen 20,000 kPa @ 15°C	Type 50	1800	3/8" BSP RH INT.
366121	Air 20,000 kPa @ 15°C	Type 60	1800	3/8" BSP RH INT.

SMART-HOSE™ High Pressure Flexible Leads are specifically designed for most common gas types. All hose components are carefully selected for gas compatibility. Each hose has a minimum burst pressure of Four times the nominated working pressure. The maximum working pressure and working gas(es) are clearly identified on a tag secured to each hose. Hose bore ID is 1/4".

A High Pressure Hose with More!

SMART-HOSE™ is a proven hose safety system to defeat the hazardous effect of rupture or failing during transfer of a pressurised gas.

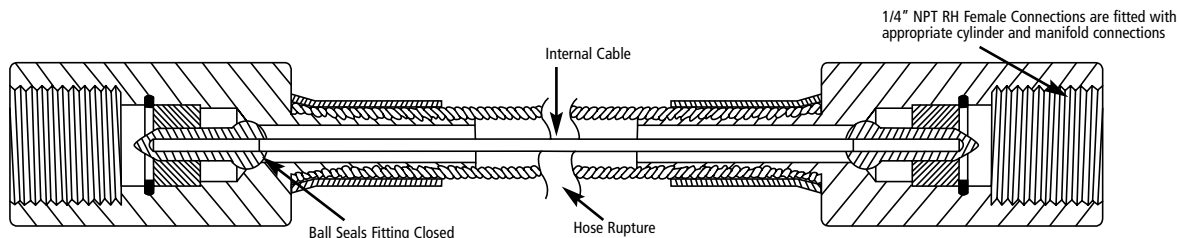
SMART-HOSE™ hoses are made as standard with Teflon® and have an outer cover of stainless steel braiding. Conventional hoses, through fatigue, defects or abuse, may result in failure. These failures may cause violent "whipping" of the hose as gas is discharged at a

high velocity. The discharge of a flammable, toxic or oxidising gas adds an additional hazard.

SMART-HOSE™ eliminates the potential for these hazards by incorporating a patented design that includes an internal cable connected to normally open "check valves" on each end. If the hose should separate or be stretched, the unique design instantaneously and safely stops the flow in either direction.

SMART-HOSE™ has passed rigorous testing by major gas producers and, with thousands in service, is a proven design.

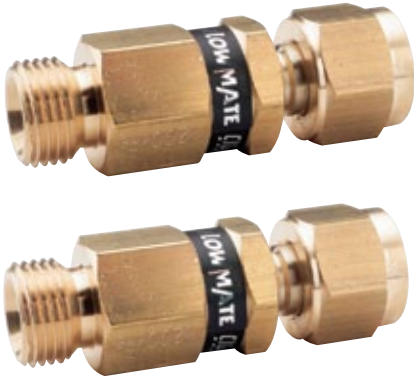
SMART-HOSE™ High Pressure Flexible Leads are designed for attachment between compressed gas cylinders and CIGWELD manifolds. They can also be attached directly to high pressure point valves when single cylinder or cylinder pack installation is required.



Manifold Systems

COMET Flowmate

Set flow restrictors for MIG & TIG



Features

- Pre-set: no adjustment to flow possible.
- Inexpensive.
- Ideal for workshop use.

Here's a solution to an age-old problem – MIG and TIG operators adjusting flowmeters continually which can lead to wasted gas situations. Eliminate this with a COMET FLOWMATE.

The COMET FLOWMATE is a set flow restrictor that takes the place of an adjustable flowmeter. The FLOWMATE is carefully designed to give exacting flows of 15 lpm for MIG welding and 8 lpm for TIG welding. Simply screw a FLOWMATE onto the outlet of the existing regulator then attach the gas hose to the FLOWMATE. (FLOWMATE is designed to operate at 200 kPa outlet pressure so make sure the regulator reads this on the gas delivery gauge. If the regulator is a pre-set model the set outlet pressure should be detailed on the regulator. (COMET 500 pre-set regulators for MIG and TIG use are set to 200 kPa). FLOWMATE is ideal for workshops and where gas pipeline reticulation systems are in use.

Ordering Information

Part No.	Description	Flow rate @ 200kPa
310277	COMET Flowmate MIG	15 lpm
310276	COMET Flowmate TIG	8 lpm

Manifold Spares



Ordering Information

Part No.	Description	Connections
H38	Acetylene pipeline filter	1/2" BSP female



Extreme Self-Lighting Torch



TurboTorch Extreme® Hand Torches are designed to provide unprecedented durability, highest heat output and maximum fuel efficiency. The patented swirl combustion gives you the best burn in a self-lighting package. The flame tube swivels 180 degrees for easy positioning. The TurboTorch Extreme® Hand Torches use MAPP® or LPG without changing the orifice. Locking button and final flame adjusting valve give optimum performance.

- For direct connection to Turbogas® (MAPP) gas
- High impact ABS case for additional strength
- Replaceable tip end
- Easy to clean orifice
- Heavy-duty piezo ignition with locking facility
- Machined rotor swirls flame
- CGA-600 connection
- 2 year conditional manufacturer's warranty

Ordering Information

Part No.	Description
308160	Extreme Self-Lighting Torch
305137	Adaptor for Primus 2000 cylinder connection

Spare Parts

Part No.	Description
307808	Tip end
307195	Tip assembly CT44-TL
308359	Tip end T-504 - large Brazes 6-45mm copper pipe as supplied with 308160
308360	Tip end T-503 - small Brazes 2-12mm copper pipe

CSTK-9 Kit



A complete set ready for action. Soft solder up to 40mm and silver solder up to 15mm. Suitable for direct connection to CGA 600 Turbogas MAPP® cylinders.

- TurboTorch® swirl combustion.
- CSTK-R pressure regulator.
- CGA-600 connection to Turbogas (MAPP®) gas.
- CST-3 tip.
- 360° swivel adjustment.
- Machined rotor swirls flame.
- Easy to clean orifice.
- Instruction manual.
- 2 Year conditional manufacturer's warranty.

Ordering Information

Part No.	Description
308159	CSTK-9 Kit
305137	Adaptor for Primus 2000 cylinder connection



Pro-Line™ Self-Lighting Acetylene Torch Kit



A complete set ready for immediate use. Connection directly onto any standard acetylene cylinder. Swirl combustion using acetylene makes this kit ideal for fast brazing. Soft solders to 90mm, silver solders to 50mm. Very impressive performance from acetylene only.

- CAR-BSP regulator with Type 20 connection.
- CPL-AUS handle with quick-connect.
- Acetylene hose (3.6m).
- CPL-12A tip with machined rotor.
- Easy to clean orifice.
- Instruction manual.
- 2 Year conditional manufacturer's warranty.

Ordering Information

Part No.	Description
308157	Pro-Line™ Self-Lighting Acetylene Torch Kit

Pro-Line™ Self-Lighting LP Gas (Propane) Torch Kit



A complete Air/LP Gas kit ready to use. Simply connect to any standard LP gas cylinder (with POL fitting). Swirl combustion using LP gas makes this kit ideal for brazing where speed is not essential. Soft solders to 60mm and silver brazes to 35mm.

- CRL-LP regulator (POL connection).
- CPL-AUS handle with quick-connect.
- LP gas hose (3.6m).
- CPL-5T tip with machined rotor.
- Easy to clean orifice.
- Instruction manual.
- 2 Year conditional manufacturer's warranty.

Ordering Information

Part No.	Description
308158	Pro-Line™ Self-Lighting LPG (Propane) Torch Kit

Pipemate™



Accurate square and bevel edge circumferential flame cutting. Designed for simple operation with optimum stability and a smooth dependable drive, the Pipemate™ is fully adjustable to any cutting length. The control valves are located away from the heat and changeover is quick between differing diameters.

Ordering Information

Part No.	Description
338534	Pipemate™ includes acetylene nozzle size 1, tip cleaners, spanners and chain 2.4m

Parts & Accessories

Part No.	Description
3 Seat cutting nozzles - standard speed Acetylene	

306114	Tip size 00, 0-5mm plate thickness
306115	Tip size 0, 5-10mm plate thickness
306116	Tip size 1, 10-15mm plate thickness
306117	Tip size 2, 15-30mm plate thickness
306118	Tip size 3, 30-40mm plate thickness
306119	Tip size 4, 40-50mm plate thickness

3 Seat cutting nozzles - standard speed LP gas	
306097	Tip size 0, 5-10mm plate thickness
306098	Tip size 1, 10-15mm plate thickness
306099	Tip size 2, 15-30mm plate thickness
306100	Tip size 3, 30-40mm plate thickness
306101	Tip size 4, 40-50mm plate thickness

333094	Additional 2m chain
OKS5020	Nozzle nut

Specifications

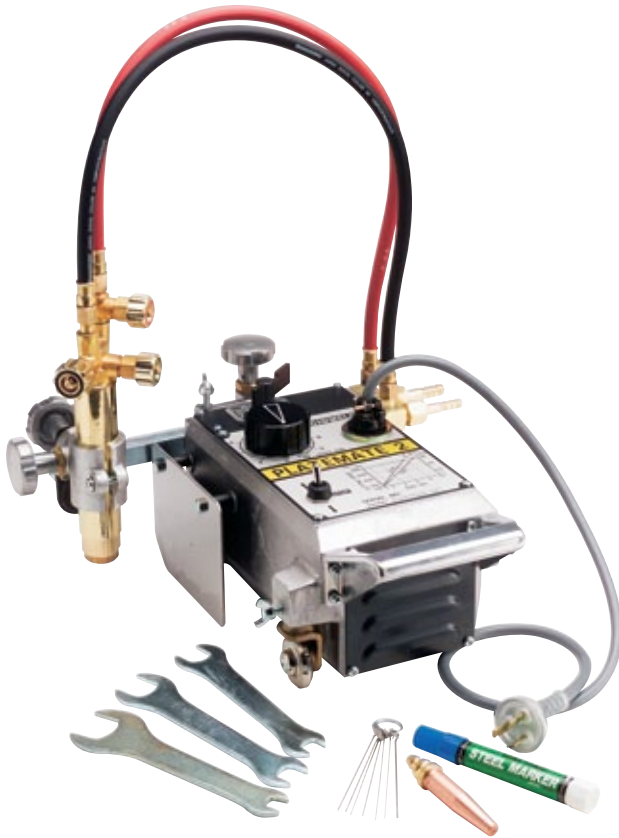
Pipe diameter	Pipe Wall Thickness	Weight
100-600mm	up to 50mm	9kg



Specifications

Weight (one torch set)	Length	Wheel Width	Motor Model	Power Source	Revolution	Reduction Gear	Cutting Speed	Cutting Thickness	Cutting Edge Shape
9.5kg	350mm	160mm	Condenser induction	240V, 50Hz	1500rpm (no load)	Single cone system	150-800mm per min	5-50mm	Square cutting V-bevel cutting

Automatically cuts straight lines, circles and bevels. Lightweight and portable, the Platemate™ 2 is a compact unit designed for simple operation with high stability for long distance cutting.



Ordering Information

Part No. Description

338536 Platemate™ 2 includes acetylene nozzle size 1, tip cleaners and spanners

Parts & Accessories

Part No. Description

3 Seat cutting nozzles - standard speed Acetylene

306114 Tip size 00, 0-5mm plate thickness

306115 Tip size 0, 5-10mm plate thickness

306116 Tip size 1, 10-15mm plate thickness

306117 Tip size 2, 15-30mm plate thickness

306118 Tip size 3, 30-40mm plate thickness

306119 Tip size 4, 40-50mm plate thickness

3 Seat cutting nozzles - standard speed LP gas

306097 Tip size 0, 5-10mm plate thickness

306098 Tip size 1, 10-15mm plate thickness

306099 Tip size 2, 15-30mm plate thickness

306100 Tip size 3, 30-40mm plate thickness

306101 Tip size 4, 40-50mm plate thickness

335287 Rail 1.8m long

338358 Two torch set

338359 Circle cutting attachment

OKS5020 Nozzle nut

Two Torch Set

This set allows parallel and bevel cutting with spacing of 80mm-300mm.

Includes; 1 x cutting torch, 1 x torch adjustment bracket, 1 x extended racking bar, 1 x counterweight, 1 x gas distribution manifold, 1 x set of gas hoses.

Circle Cutting Attachments

This attachment allows cutting of circles from 30-2400mm.

Includes; 1 x circle cutting attachment, 1 x counterweight.

Additional Rail: Additional 1.8m rails may be added to achieve any desired cutting length.

Slice Cutting System



Arcair
Professional



Features

- Cuts through almost anything.
- No pre-heating required.
- Protective hand guard and spark arrestor built in.
- Up to 3 times faster than oxy fuel.
- Lightweight – complete SLICE plant only 14 kg.
- Comfortable and easy to use.
- Portable – comes with toolbox.

The ARCAIR Professional SLICE Cutting System is unlike any other cutting technology because of its ability to cut, burn or pierce virtually any metallic, non-metallic or composite material.

It will cut right through hard-to-cut materials such as mild, stainless and alloy steels, cast iron, aluminium, magnesium, other non-ferrous metals, slag and refractory materials. It can punch through concrete or brick, even if it's caked with rust, mud or other corrosion. You can cut through nearly anything with the SLICE System.

Perfect for use in the workshop or in the field. Applications include plant maintenance, building renovation or demolition, scrap clean-up and salvage work.

Ordering Information

Part No.	Description
OTW63/991036	SLICE Cutting System

SLICE Cutting system plant includes:

SLICE battery pack 240 VAC/50Hz; 7mm cutting rods (qty 25); Striker assembly; Torch assembly; Collet extension assembly; Extension shield; Oxygen hose (3m); Charging cable 240VAC/50Hz (3m); Coupling; Instruction manual; Tool box

NOTE: The SLICE torch comes standard with the 7mm Collet Chuck and Collet Nut. To utilise the 10mm rods the user must order the 10mm rod conversion kit which includes the 10mm Collet Chuck and Collet Nut.

Additional equipment required:

Part No. 301637 COMET 700 Oxygen regulator set at 550kPa Industrial grade Oxygen

Spare Parts Ordering Information

Part No.	Description
OTW72/012002	Striker assembly
OTW03/003009	Torch assembly
OTW94/168023	Collet extension assembly
OTW94/777111	Extension shield
OTW96/076016	Replacement battery only
OTW94/463032	10mm conversion kit
OTW94/777109	Shield
OTW94/940109	Washer
OTW94/158048	7mm collet chuck
OTW94/158045	10mm collet chuck
OTW94/305009	Flashback arrestor
OTW94/168022	7mm collet nut assembly
OTW94/168024	10mm collet nut assembly

Cutting Rods Ordering Information

Part No.	Size (D x L)	Qty
OTW43/049002	7 x 559mm	25
OTW43/049003	7 x 559mm	100
OTW43/049005	7 x 1118mm	25
OTW43/049007	10 x 457mm	50
OTW43/049009	10 x 914mm	25

Rod Burntime

7 x 559mm	40-45 sec
7 x 1118mm	80-90 sec
10 x 457mm	30-35 sec
10 x 914mm	60-70 sec

Notes

We've got Cutting & Welding Covered.

Choose CIGWELD endorsed products for premium quality and reliability.



Welding Machines

Portable Welding Inverters

Three Phase and Synergic Pulse

Engine Driven Welding Equipment



Welding Consumables

Solid & Flux Cored Welding Wires

Electrodes, Rods & Fluxes

Hardfacing Electrodes and Wires



Gas Equipment & Accessories

Comet Gas Outfits and Regulators

Blowpipes, Cutters and Consumables

Comet Gas Equipment Accessories



Safety, MIG Gun & Accessories Plasma Cutting Equipment

Plasma Cutting Equipment

Safety Products

Welding Torches, Consumables and Accessories



POCKET GUIDE

Get Mobile with our latest iPhone Pocket Guide, scan the QR code for details

AVAILABLE FOR:



ANDROID



APPLE



Australia - (Asia Pacific Head Office)
CIGWELD Pty Ltd
A Victor Technologies Company
71 Gower Street, Preston VIC 3072 Australia

Customer Care
Tel: 1300 654 674 Fax: +61 3 9474 7391
Email: enquiries@cigweld.com.au
International Enquiries:
Tel: +61 3 9474 7508 Fax: +61 3 9474 7488

www.cigweld.com.au

Malaysia -
Victor Technologies
Lot 151, Jalan Industri 3/5A
Rawang Integrated Industrial Park,
Jln Batu Arang
48000 Rawang Selangor Darul Ehsan
West Malaysia

Tel: + 60 3 6092 2988 Fax: +60 3 6092 1085
www.victortechnologies.asia

Indonesia -
Victor Technologies
JL. Angsana II Blok AE No.28
Delta Silicon - Cikarang
Bekasi, 17550
Indonesia

Tel: +62 21 8990 6095 Fax: +62 21 8990 6096
www.victortechnologies.asia

China -
Victor Technologies
Unit 4F2, Zhao Feng Universal Building
No. 1800 West Zhongshan Road,
Xuhui District, Shanghai 200235
China

Tel: +86 21 6407 2626 Fax: +86 21 6448 3032
www.victortechnologies.asia



Authorised Distributor:

AD3945 COMIETA accessories 4.11