

MANHOLES &  
VALVE CHAMBER

# DUCTILE IRON MANHOLE COVERS & VALVE CHAMBER FOR THE PURPOSE OF UTILITIES



## MANHOLE COVERS

**MANHOLE COVER  
(MODEL 668)**  
710MM x 710MM x 100MM



**MANHOLE COVER  
(MODEL 670H)**  
840MM x 840MM x 100MM



## VALVE CHAMBER (MODEL 666H)



In Brief

- ▶ Designed for Heavy Duty Applications
- ▶ Suitable for Use on Water, Wastewater & Sewage Applications in Both Wet & Dry Conditions
- ▶ **Breaking Load** : 40MT
- ▶ **Coating** : Bituminous Coating

▶ **Clear Opening** : Ø600mm ▶ : Ø320mm

Standards

- ▶ **Design & Test** : BS EN 124-1&2, SPAN-TS 3003 ▶ : BS EN 124-1&2
- ▶ **Classification** : D400

Features

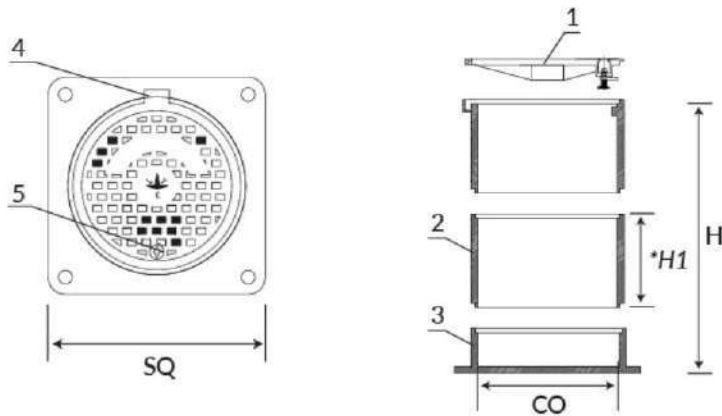
▶ **Dimension** : 710mm x 710mm x 100mm(H) ▶ : 609mm(H) x 320mm(CO) x 440mm(SQ)  
(Option With Extension Ring)  
: 840mm x 840mm x 100mm(H)

- ▶ Extension Ring Height Dimension is Based on Site Requirement
- ▶ Locking Device Designed for the Prevention of Unauthorized Lifting, Opening or Removal of Cover
- ▶ Valve Chamber Designed for Valve Size Ranges up to DN300

# DUCTILE IRON MANHOLE COVERS & VALVE CHAMBER FOR THE PURPOSE OF UTILITIES

## Technical Table

### Valve Chamber



\*H1 Subjects on Site Requirement

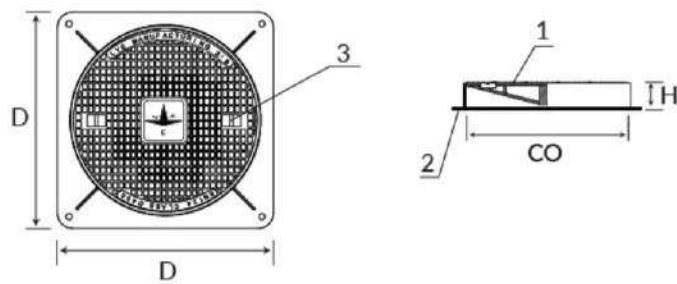
### Product Specifications

No.	Component	Material	Standard Ref.
1	Cover	Ductile Iron	BS EN 1563
2	Extension Ring	Ductile Iron	BS EN 1563
3	Base Frame	Ductile Iron	BS EN 1563
4	Hinge	Stainless Steel	BS 970-1
5	Locking Device	Stainless Steel	BS 970-1
5	Lifting Device	Ductile Iron	BS EN 1563

### Technical Data

H (mm)	CO (mm)	SQ (mm)
609	320	440

### Manhole Top 710mm x 710mm x 100mm(H)



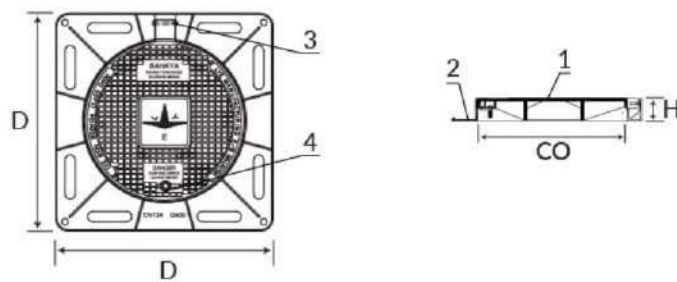
### Product Specifications

No.	Component	Material	Standard Ref.
1	Cover	Ductile Iron	BS EN 1563
2	Base Frame	Ductile Iron	BS EN 1563
3	Key Holder	Ductile Iron	BS EN 1982

### Technical Data

D (mm)	CO (mm)	H (mm)
710	600	100

### Manhole Top 840mm x 840mm x 100mm(H)



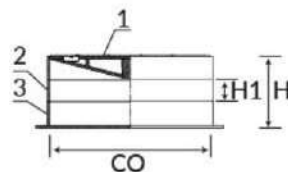
### Product Specifications

No.	Component	Material	Standard Ref.
1	Cover	Ductile Iron	BS EN 1563
2	Base Frame	Ductile Iron	BS EN 1563
3	Hinge	Stainless Steel	BS 970-1
4	Locking Device	Stainless Steel	BS 970-1
4	Lifting Device	Ductile Iron	BS EN 1563

### Technical Data

D (mm)	CO (mm)	H (mm)
840	600	100

### With Extension Ring (MODEL 668)



### With Extension Ring

D (mm)	CO (mm)	H (mm)	H1 (mm)
710	600	300	100

Note: Technical data provided in this brochure is indicative only and may be subject to change without prior notice.