

Deluxe

2017 Catalog

20 Years of Product Excellence

PE SEPTIC TANKS Sewerage Treatment System



SPAN

SURUHANJAYA PERKHIDMATAN AIR NEGARA
No. Penyeraihan SPAN: SPAN / BPI / 300-10 / 47 / A/W-2

IKRAM-B024-E11032-N3512



DELUXE POLYETHYLENE SEPTIC TANK SEWERAGE TREATMENT SYSTEM

Deluxe

PE SEPTIC TANKS Sewerage Treatment System

DELUXE PE SEPTIC TANKS SPECIFICATION

NEW

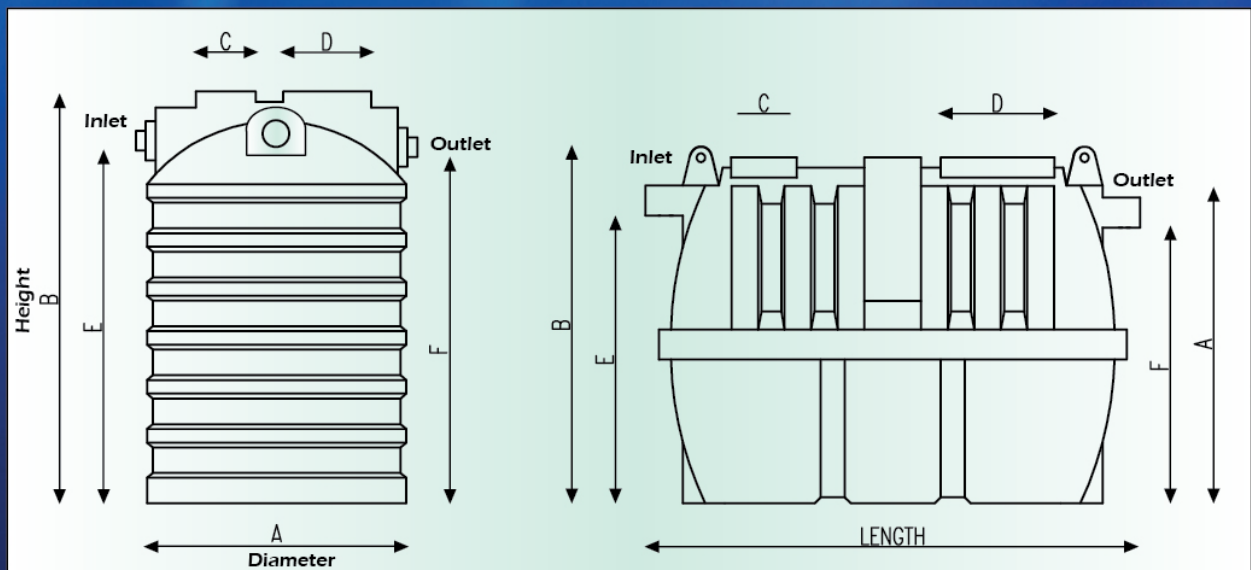
NEW

MODEL	DST-2A	DST-3	DST-2	DST-4	DST-5	DST-6
TYPE	VERTICAL	HORIZONTAL	VERTICAL	VERTICAL	VERTICAL	VERTICAL
PERSONS SERVE	7 PE	9 PE	10 PE	18 PE	21 PE	30 PE
EFFECTIVE VOLUME, l	>2,200LITERS	>2,700LITERS	>3,200LITERS	>5,500LITERS	>6,500LITERS	>9,600LITERS
HYDRAULIC RETENTION TIME, h	>24	>24	>24	>24	>24	>24
DIAMETER, mm (A)	1,470 mm	1,581 mm	1,617 mm	2,032 mm	2,175 mm	2,464 mm
HEIGHT, mm (B)	1,788 mm	1,623 mm	2,014 mm	2,260 mm	2,170 mm	2,620 mm
LENGTH, mm	N/A	1,992 mm	N/A	N/A	N/A	N/A
INLET/OUTLET DIAMETER, mm	100 mm	100 mm	100 mm	100 mm	100 mm	100 mm

PRODUCT DIMENSION

A	1,470 mm	1,581 mm	1,617 mm	2,032 mm	2,175 mm	2,464 mm
B	1,788 mm	1,623 mm	2,014 mm	2,260 mm	2,170 mm	2,620 mm
C	>200 mm	>200 mm	>200 mm	>200 mm	>200 mm	>200 mm
D	>400 mm	>400 mm	>400 mm	>400 mm	>400 mm	>400 mm
E	1,533 mm	1,451 mm	1,768 mm	1,930 mm	1,950 mm	2,320 mm
F	1,455 mm	1,368 mm	1,687 mm	1,845 mm	1,870 mm	2,240 mm

EFFLUENT TO STANDARD B - ENVIRONMENTAL QUALITY (SEWAGE & INDUSTRIAL EFFLUENTS) REGULATION, 1979



CERTIFIED TO MS 2441-1:2012
IKRAM-B024-H0702-N0415

DISTRIBUTOR: