

gKENT

Stopcock

Technical Specification:

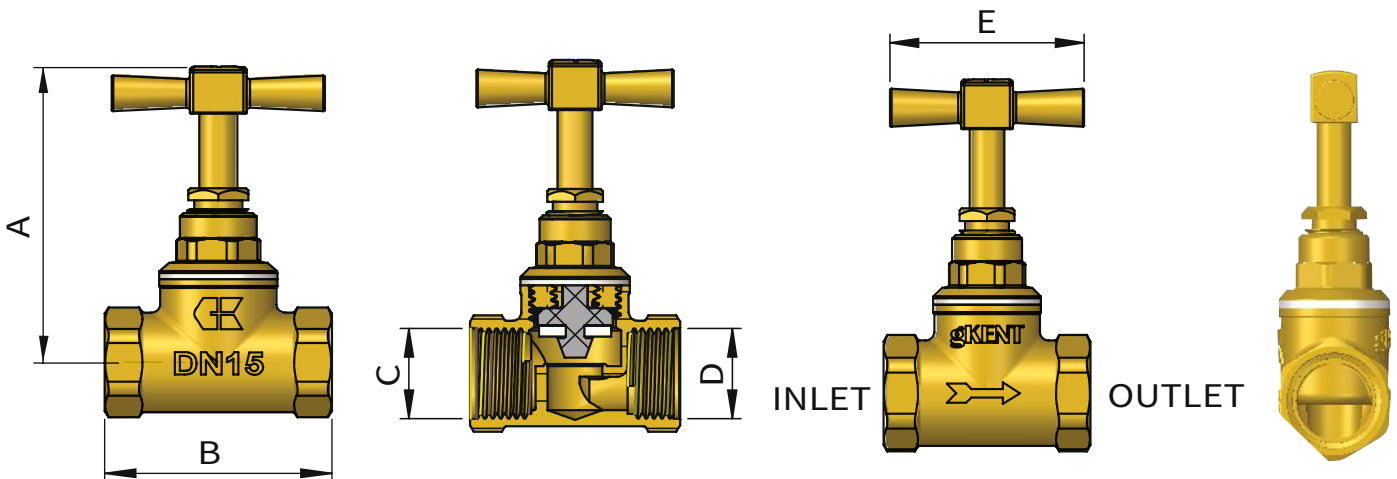
Specification	DN15 (½ inch)	DN20 (¾ inch)	DN25 (1 inch)
Nominal Pressure	PN16		
Working Temperature, °C	≤ 50		
Application Medium	Potable Water		

Flow Rate

Minimum at 0.1 bar (l/hour)	720	1440	2520
-----------------------------	-----	------	------

Dimension:

A	Open = 72.5	Open = 89	Open = 92
	Close = 66	Close = 79.5	Close = 80
B	48	58.5	67.2
C	G 1/2	G 3/4	G 1
D	G 1/2	G 3/4	G 1
E	45	56	56
F	24.5	30	38.3



* All dimensions are in "mm" unless otherwise stated



We take pride in being **Your Trusted Engineering Partner.**
Find out more about us at www.georgekent.net