

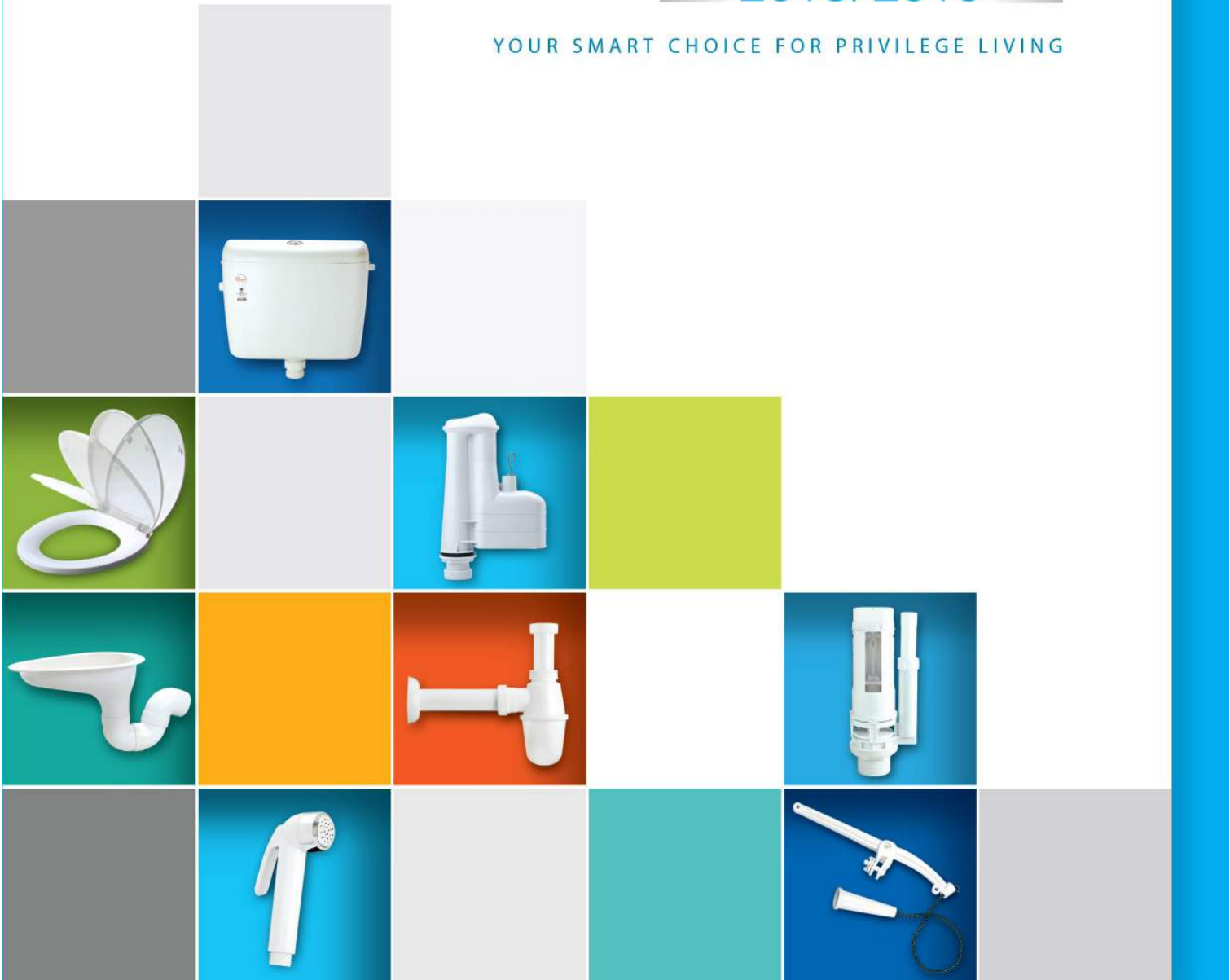


Commitment to quality

# PRODUCT CATALOGUE

2018/2019

YOUR SMART CHOICE FOR PRIVILEGE LIVING



# CONTENTS

Company profile .....	1-2
-----------------------	-----

## SIRIM APPROVED PLASTIC CISTERN

SIRIM specifications .....	3
SIRIM range .....	4

## PLASTIC FLUSHING CISTERN

Techplas • Techplas II - H/L & L/L cistern .....	5-6
Elegen - H/L, L/L & M/L cistern .....	7-9
Duratech H/L & L/L cistern .....	10
Duratech D/F & S/F push button cistern .....	11
Elegen Tech-Link - L/L cistern .....	12
Elegen & Techplas auto cistern .....	13

## PARTS OF FLUSHING CISTERN

Liftup outlet valve .....	14-15
One-piece WC liftup outlet valve .....	16
Flapper outlet valve .....	17
One-piece WC flapper outlet valve .....	18
Side inlet valve & plastic siphon .....	19
Bottom inlet valve .....	20
Poly float & lever arm .....	21
Lever handle & lever connector .....	22
Push button & pull knob .....	23
Accessories for flushing cistern .....	24-27
WC Internal fitting .....	28-29

## PLASTIC TOILET SEAT & COVER

Soft Close Type	
Supreme & Durasit .....	30
Elite & Aqua .....	31
Monaco & Dynamic .....	32
“Techplas” flat shape & U shape .....	33-34

Standard Type	
Premium & Deluxe - with child seat .....	35
Premium & Techplas .....	36
Deluxe & Techplas .....	37
Econ & Techplas - half cover .....	38
Accessories for toilet seat & cover .....	39

## PLASTIC SANITARY WARE / PLASTIC HOSES & FITTINGS

Basin, kitchen sink waste .....	40
Plug & chain .....	41
Basin / sink plastic bottle trap .....	42-44
Basin / sink plastic “P” trap & “S” trap plug, bush & converter .....	45
Flexible drain hose & PVC flexible hose .....	46
PVC reinforced hose, washer & fittings .....	47
Plastic grating .....	48
PVC / ABS foot valve, P/E nipple & bush .....	49

## PLASTIC BATHROOM ACCESSORIES

Shower rose & shower arm .....	50
Hand bidet & shower, bidet nozzle & hanger .....	51
Plastic hand bidet .....	52
Plastic bath tub .....	53
Bathroom accessories .....	54

## OTHERS INJECTION MOULDED PRODUCTS

Injection moulded products .....	55-56
Product colour chart .....	57





Commitment to quality



## about us

**Prominent Image Sdn. Bhd. (PISB)** established since 1994, is a market leader in the manufacture of quality Plastic Sanitary, Plumbing & Others Injection Moulded products for the building industry, both locally and internationally. Our quality products are marketed under the registered trademark "TECHPLAS". We have achieved this status by being innovative and attentive to the needs of the market and being committed to providing value to our customers.

Through our preferred agents, "TECHPLAS" products are available in most hardware, dealers, retail outlets and major hyper-markets throughout Malaysia. Internationally, they can be sourced in Hong Kong, Indonesia, Philippines, Myanmar, South Africa, Sri Lanka, Egypt, Kenya, Mauritius, UAE, Kuwait, Qatar and Bangladesh since 1997. We are proud of our association with these agents, as they have provided valuable exposure for "TECHPLAS" products to go international on a more prominent scale.

## our philosophy

We remain steadfast in our belief that prudent and innovative management plus quality products and services are the keystones for ensuring customer satisfaction, and thus guaranteeing the company's growth and expansion. It is our ultimate goal and desire to continue expanding and improving our product range and quality to supply only "THE BEST FOR LESS" to our esteemed and valued customers, locally and internationally.

## our mission

- To maintain customer satisfaction
- To maintain product quality and reliability
- To maximize productivity by economy of scale
- To constantly upgrade product technology



## our services

We entertain any reasonable and special quantity request for personalized orders and colour. Price for such orders commensurate with the prevailing raw material cost at that point in time. "TECHPLAS" quality products are user-friendly, practical, durable and affordable.

Being a market leader in quality plastic sanitary and plumbing products, we take great pride in being a leading supplier of OEM items to leading Ceramic Ware Manufacturers in Malaysia and Singapore.

As plastic sanitary products in the building industry are ever so competitive, we are exploring the viability of diversifying into non-sanitary products to capitalize and explore the improving economic climate of Malaysia and overseas market. Continuous expansion, product development and improvement can be achieved by being committed, innovative and attentive to market needs and demands.

To keep abreast and ahead of its competitors, we add 3 to 5 new products every year. New products are added based on its initial criteria of export potential.

## our quality policy

### • Customer Satisfaction

Comprehend Customer requirements to provide good quality products & efficiency services to our Customer.

### • Continual Improvement

Implementing our Quality Management System to comply with the ISO 9001 requirement & accomplish our Quality Objectives for Continual Improvement.

## OFFICIAL CERTIFICATION





Commitment to quality



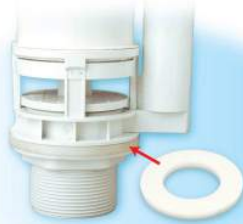
# SIRIM Specifications



**1.** The height of both internal and external overflow has been reduced to comply with SIRIM's 6.0 litres requirement.

**2.**

All SIRIM compliant outlet valves are fitted with **SILICONE** seals for durable and chemical resistant properties.



**3.** All SIRIM compliant cistern bodies come with 6.0 litres water line indicator.



**4.**

Plastic resins used for manufacturing is UV resistant.



**7.** SIRIM compliance require durable **SILICONE** inlet ballvalve washers and PP restrictors.

**5.**

SIRIM compliance require 100% virgin plastic resins.



**6.** All SIRIM compliant cistern are certified with approved SIRIM number and stickers.

**PCP-1101**

L432 W167 H342



**Techplas Elegen** high & low level push button (dual flush) c/w liftup valve

**PCP-1102**

L432 W167 H342



**Techplas Elegen** low level push button (single flush) c/w liftup valve

**PCL-1106-HL**

L432 W167 H342



**Techplas Elegen** high level front pull lever handle with nylon string (single flush) c/w liftup valve

**PCL-1106-LL**

L432 W167 H342



**Techplas Elegen** low level lever handle (single flush) c/w liftup valve

**PCL-V1001-HL**

L483 W164 H307 / 293



**Techplas** high level front pull lever handle with nylon string (single flush) c/w liftup valve

**PCL-V1001-LL**

L483 W164 H307 / 293



**Techplas** low level lever handle (single flush) c/w liftup valve

All measurements were made in millimeters (mm) unless otherwise indicated.



Commitment to quality



PLASTIC  
FLUSHING CISTERN

**PCL-1001-HL** TECHPLAS H/L CISTERN



**PCL-1001-HL-TP II** TECHPLAS II H/L CISTERN

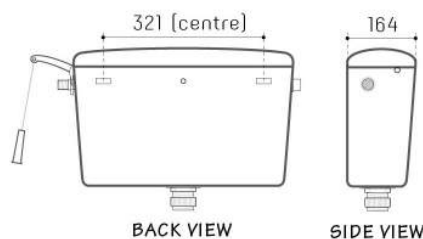
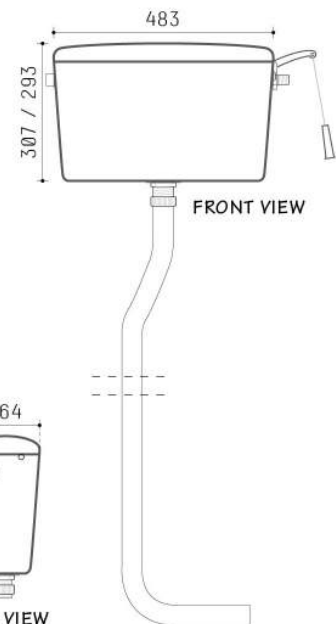


SPECIFICATION CISTERN CODE	CISTERN TYPE	DIMENSION	CAPACITY	FLUSHING MECHANISM
PCL-1001-HL	High level	L483 W164 H307 / 293	9L (single flush) / 9L & 4.5L (dual flush)	Siphon with lever arm
PCL-1001-HL-TP II	High level	L483 W164 H307 / 293	6L (single flush) / 6L & 4.5L (dual flush)	

INTERNAL MECHANISM CISTERN CODE	FAO-1015 / FAO-1015A	FAO-1015A-BK / FAD-1015-BK	FAF-1009B / FAF-1009A	FAL-1011	FAA-1020	FAA-1020A	FAA-1021
PCL-1001-HL							
PCL-1001-HL-TP II							

INTERNAL MECHANISM CISTERN CODE	FAA-1012B	FAA-1005-01 / ZSM1005-03	FAI-1007	FAP-1200 A
PCL-1001-HL				
PCL-1001-HL-TP II				Optional



All measurements were made in millimeters (mm) unless otherwise indicated.

YOUR SMART CHOICE FOR PRIVILEGE LIVING

**PCL-1001-LL** TECHPLAS L/L CISTERN



**PCL-1001-LL-TP II** TECHPLAS II L/L CISTERN

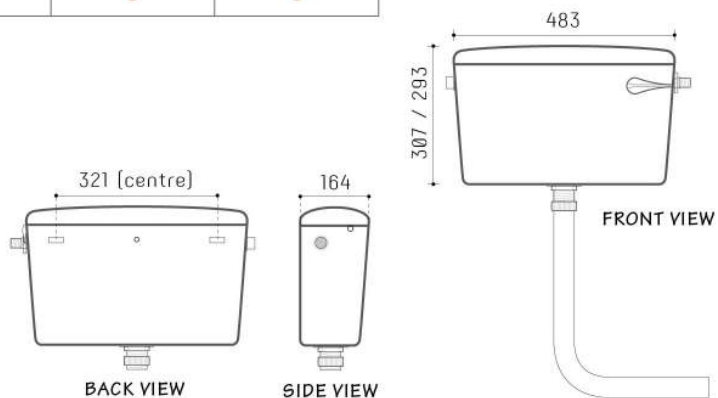


SPECIFICATION CISTERN CODE	CISTERN TYPE	DIMENSION	CAPACITY	FLUSHING MECHANISM
PCL-1001-LL	Low level	L483 W164 H307 / 293	9L (single flush) / 9L & 4.5L (dual flush)	Siphon with lever handle
PCL-1001-LL-TP II	Low level	L483 W164 H307 / 293	6L (single flush) / 6L & 4.5L (dual flush)	

INTERNAL MECHANISM CISTERN CODE	FAO-1015 / FAO-1015A	FAO-1015-BK / FAO-1015A-BK	FAF-1009B / FAF-1009A	FAL-1003	FAA-1020	FAA-1020A	FAA-1021
PCL-1001-LL							
PCL-1001-LL-TP II							

INTERNAL MECHANISM CISTERN CODE	FAA-1012B	FAA-1005-01 / ZSM1005-03	FAI-1007	FAP-1014
PCL-1001-LL				
PCL-1001-LL-TP II				



All measurements were made in millimeters (mm) unless otherwise indicated.





Commitment to quality



PLASTIC  
FLUSHING CISTERN

**PCL-1103** ELEGEN L/L CISTERN



**PCL-1106-LL** ELEGEN L/L CISTERN (VALVE TYPE)

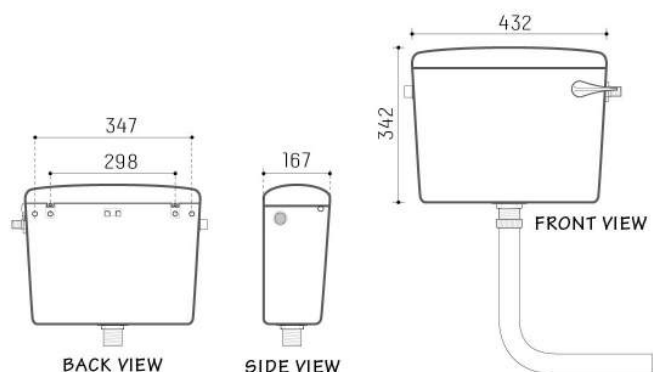


SPECIFICATION CISTERN CODE	CISTERN TYPE	DIMENSION	CAPACITY	FLUSHING MECHANISM
<b>PCL-1103</b>	Low level	L432 W167 H342	9L (single flush) / 9L & 4.5L (dual flush) 6L (single flush) / 6L & 4.5L (dual flush)	Siphon with lever handle
<b>PCL-1106-LL</b>	Low level	L432 W167 H342	9L / 6L (single flush)	Liftup valve with lever handle

INTERNAL MECHANISM CISTERN CODE	FAO-1015A-BK / FAO-1015-BK	FAO-OV-L100	FAL-1003	FAL-1049	FAF-1009B / FAF-1009A		FAI-1007
	<b>PCL-1103</b>	●		●		●	●
<b>PCL-1106-LL</b>		●		●	●		●

INTERNAL MECHANISM CISTERN CODE	FAC-1005	FAA-1020	FAA-1020A	FAA-1037	FAA-1021	FAA-1005-01 / ZSM1005-03	FAA-1012B	FAP-1014
	<b>PCL-1103</b>	●	●	●		●	●	●
<b>PCL-1106-LL</b>	●	●		●	●	●	●	●



All measurements were made in millimeters (mm) unless otherwise indicated.

YOUR SMART CHOICE FOR PRIVILEGE LIVING

**PCL-1104** ELEGAN H/L CISTERN



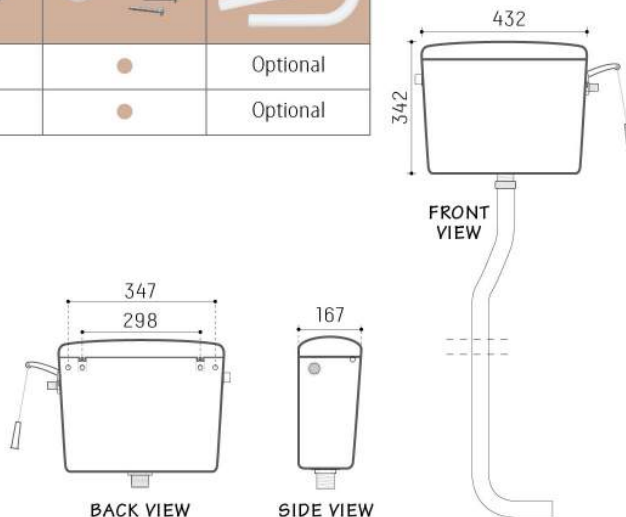
**PCL-1106-HL** ELEGAN H/L CISTERN (VALVE TYPE)



SPECIFICATION CISTERN CODE	CISTERN TYPE	DIMENSION	CAPACITY	FLUSHING MECHANISM
<b>PCL-1104</b>	High level	L432 W167 H342	9L (single flush) / 9L & 4.5L (dual flush) 6L (single flush) / 6L & 4.5L (dual flush)	Siphon with lever arm
<b>PCL-1106-HL</b>	High level	L432 W167 H342	9L / 6L (single flush)	Liftup valve with lever handle

INTERNAL MECHANISM CISTERN CODE	FAO-1015A-BK / FAO-1015-BK	FAO-OV-L100	FAF-1009B / FAF-1009A	FAL-1011A	FAL-1049B-1	FAI-1007	FAA-1020
<b>PCL-1104</b>	●		●	●		●	●
<b>PCL-1106-HL</b>		●	●		●	●	●

INTERNAL MECHANISM CISTERN CODE	FAA-1020A	FAA-1037	FAA-1021	FAA-1005-01 / ZSM1005-03	FAA-1012B	FAP-1200 A
<b>PCL-1104</b>	●		●	●	●	Optional
<b>PCL-1106-HL</b>		●	●	●	●	Optional



All measurements were made in millimeters (mm) unless otherwise indicated.



Commitment to quality



PLASTIC FLUSHING CISTERN

**PCP-1101** ELEGEN D/F PUSH BUTTON CISTERN



**PCP-1102** ELEGEN S/F PUSH BUTTON CISTERN



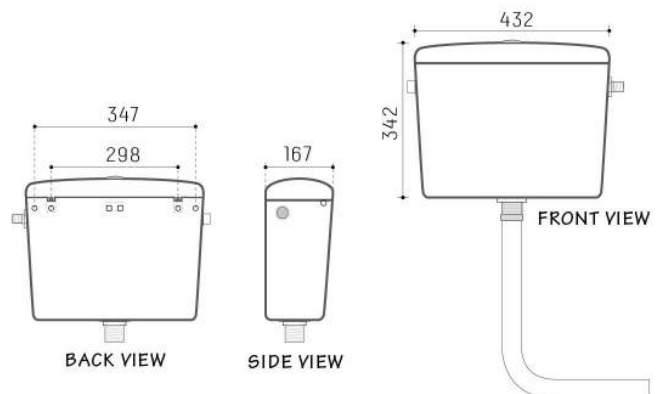
SPECIFICATION CISTERN CODE	CISTERN TYPE	DIMENSION	CAPACITY	FLUSHING MECHANISM
<b>PCP-1101</b>	Low level / Mid level	L432 W167 H342	9L & 4.5L / 6L & 3L	Dual flush round push button
<b>PCP-1102</b>	Low level / Mid level	L432 W167 H342	9L / 6L	Single flush round push button

\* Close couple available upon request

INTERNAL MECHANISM CISTERN CODE	FAO-OV-S300A	FAO-OV-S200A	FAB-1146	FAB-1147	FAF-1009B / FAF-1009A	FAA-1005-01 / ZSM1005-03
<b>PCP-1101</b>	●		●		●	●
<b>PCP-1102</b>		●		●	●	●

INTERNAL MECHANISM CISTERN CODE	FAA-1012B	FAI-1007	FAC-1005	FAA-1020	FAA-1037	FAA-1021	FAP-1014 (L/L)	FAP-1200 (M/L)
<b>PCP-1101</b>	●	●	●	●	●	●	●	●
<b>PCP-1102</b>	●	●	●	●	●	●	●	●



enlarged image

All measurements were made in millimeters (mm) unless otherwise indicated.

YOUR SMART CHOICE FOR PRIVILEGE LIVING

**PCL-1109-HL** DURATECH H/L CISTERN (VALVE TYPE)



**PCL-1109-LL** DURATECH L/L CISTERN (VALVE TYPE)

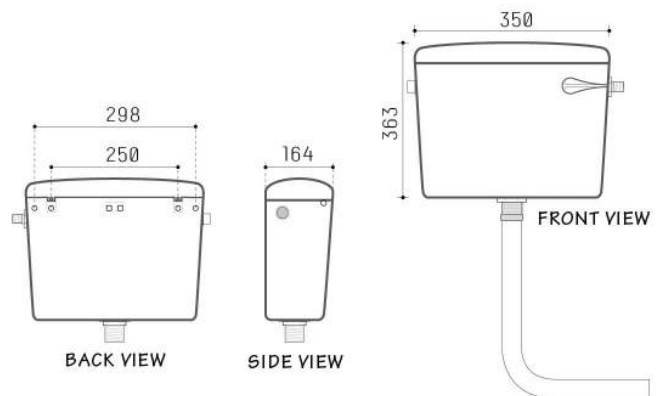


SPECIFICATION CISTERN CODE	CISTERN TYPE	DIMENSION	CAPACITY	FLUSHING MECHANISM
<b>PCL-1109-HL</b>	High level	L350 W164 H363	9L / 6L	Liftup valve with lever handle
<b>PCL-1109-LL</b>	Low level	L350 W164 H363	9L / 6L	Liftup valve with lever handle

INTERNAL MECHANISM CISTERN CODE	FAO-OV-L100	FAL-1049B-1	FAL-1049	FAF-1009B / FAF-1009A	FAL-1007	FAA-1020
<b>PCL-1109-HL</b>	●	●		●	●	●
<b>PCL-1109-LL</b>	●		●	●	●	●

INTERNAL MECHANISM CISTERN CODE	FAC-1005	FAA-1037	FAA-1021	FAA-1005-01 / ZSM1005-03	FAA-1012B	FAP-1014	FAP-1200A
<b>PCL-1109-HL</b>		●	●	●	●		Optional
<b>PCL-1109-LL</b>	●	●	●	●	●	●	



All measurements were made in millimeters (mm) unless otherwise indicated.



Commitment to quality



PLASTIC  
FLUSHING CISTERN

**PCP-1109-DF** DURATECH D/F PUSH BUTTON CISTERN



**PCP-1109-SF** DURATECH S/F PUSH BUTTON CISTERN

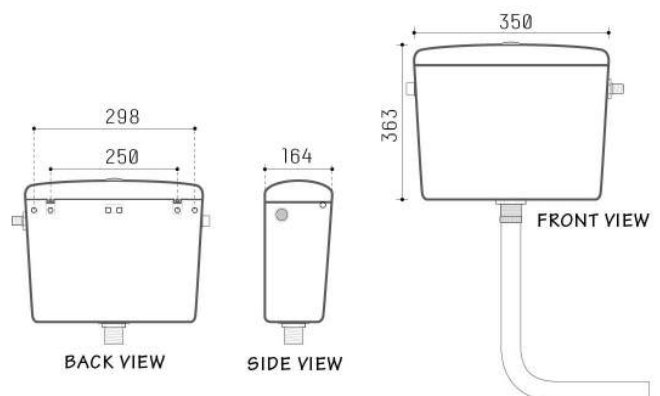


SPECIFICATION CISTERN CODE	CISTERN TYPE	DIMENSION	CAPACITY	FLUSHING MECHANISM
<b>PCP-1109-DF</b>	Low level / Mid level	L350 W164 H363	9L & 4.5L / 6L & 3L	48mm Dual flush round push button
<b>PCP-1109-SF</b>	Low level / Mid level	L350 W164 H363	9L / 6L	48mm Single flush round push button

INTERNAL MECHANISM CISTERN CODE	FAO-OV-S300A	FAO-OV-S200A	FAB-1042	FAB-1043	FAF-1009B / FAF-1009A	FAA-1005-01 / ZSM1005-03
<b>PCP-1109-DF</b>	●		●		●	●
<b>PCP-1109-SF</b>		●		●	●	●

INTERNAL MECHANISM CISTERN CODE	FAA-1012B	FAI-1007	FAC-1005	FAA-1020	FAA-1037	FAA-1021	FAP-1014 (L/L)	FAP-1200 (M/L)
<b>PCP-1109-DF</b>	●	●	●	●	●	●	●	●
<b>PCP-1109-SF</b>	●	●	●	●	●	●	●	●



enlarged image

All measurements were made in millimeters (mm) unless otherwise indicated.

YOUR SMART CHOICE FOR PRIVILEGE LIVING

**PCB-1111** ELEGEN TECH-LINK PLASTIC CISTERN



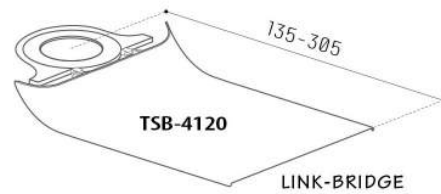
**PCB-1112** ELEGEN TECH-LINK PLASTIC CISTERN



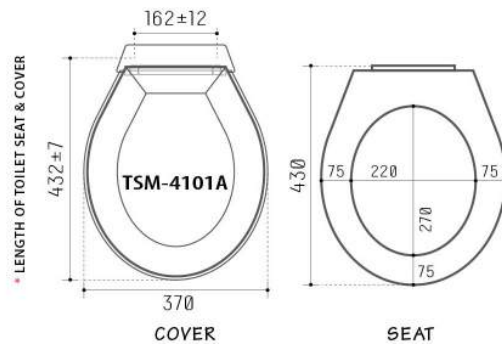
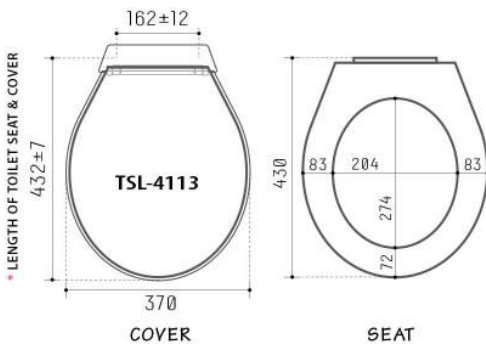
**PCB-1110** ELEGEN TECH-LINK PLASTIC CISTERN



- \* All ELEGEN TECH-LINK plastic cisterns c/w  
 a) Link bridge - TSB-4120  
 b) Toilet seat & cover - TSL-4113 (light duty) / TSM-4101A (medium duty)



SPECIFICATION CISTERN CODE	CISTERN TYPE	DIMENSION	CAPACITY	FLUSHING MECHANISM	TECHNICAL MANUAL
PCB-1111	Low level	L432 W167 H342	9L & 4.5L / 6L & 3L	Dual flush push button	pg. 9
PCB-1112	Low level	L432 W167 H342	9L / 6L	Single flush push button	pg. 9
PCB-1110	Low level	L432 W167 H342	9L / 6L	Lever handle	pg. 7





Commitment to quality



PLASTIC  
FLUSHING CISTERN

**PCA-E1300** ELEGEN AUTO CISTERN

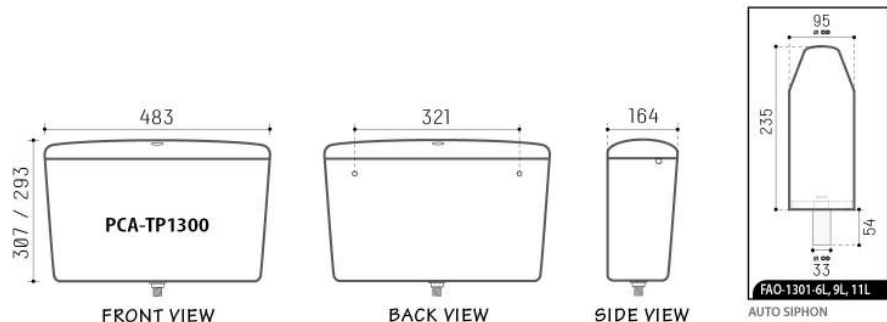
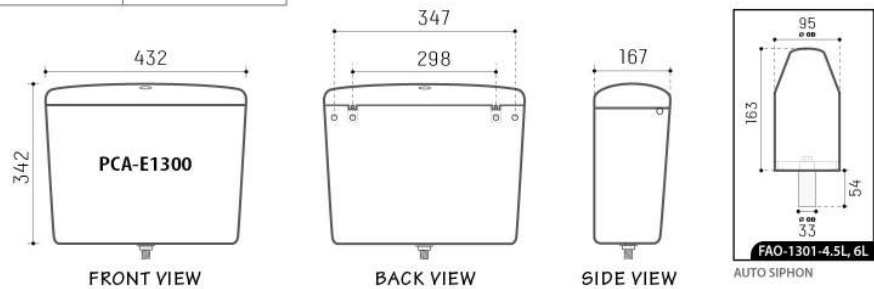


**PCA-TP1300** TECHPLAS AUTO CISTERN



SPECIFICATION CISTERN CODE	CISTERN TYPE	DIMENSION	CAPACITY
<b>PCA-E1300</b>	Plastic auto cistern	L432 W167 H342	4.5L, 6L, 9L & 11L
<b>PCA-TP1300</b>	Plastic auto cistern	L483 W164 H307 / 293	4.5L, 6L & 9L

INTERNAL MECHANISM CISTERN CODE	FAO-1301-4.5L, 6L	FAO-1301-6L, 9L, 11L	FAA-1012B
<b>PCA-E1300</b>			
<b>PCA-TP1300</b>			



All measurements were made in millimeters (mm) unless otherwise indicated.



YOUR SMART CHOICE FOR PRIVILEGE LIVING

## LIFTUP OUTLET VALVE

FAO-L100-W

FAO-L101-CP

FAO-L102A-W

FAO-L102A-CP

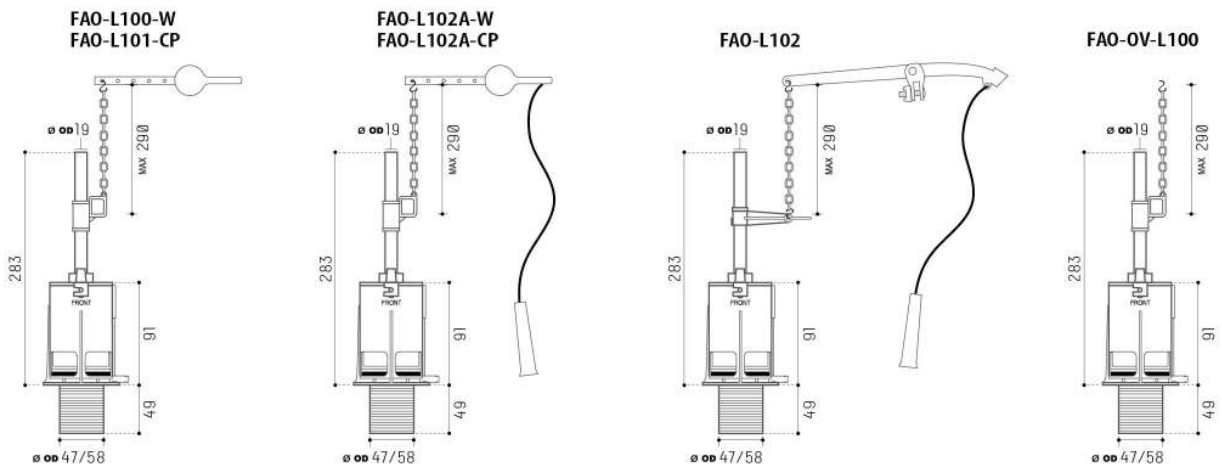
FAO-L102

FAO-OV-L100



SPECIFICATION PRODUCT CODE	LIFTUP OUTLET VALVE
FAO-L100-W	40mm / 50mm Liftup outlet valve c/w white lever handle
FAO-L101-CP	40mm / 50mm Liftup outlet valve c/w chrome plated lever handle
FAO-L102A-W	40mm / 50mm Liftup outlet valve c/w white front pull lever handle with nylon string
FAO-L102A-CP	40mm / 50mm Liftup outlet valve c/w chrome plated front pull lever handle with nylon string
FAO-L102	40mm / 50mm Liftup outlet valve c/w white lever arm with nylon string
FAO-OV-L100	40mm / 50mm Lever liftup outlet valve

All measurements were made in millimeters (mm) unless otherwise indicated.





## LIFTUP OUTLET VALVE

**FAO-OV-S200A**

**FAO-OV-S300A**

**FAO-S200A**

**FAO-S300A**

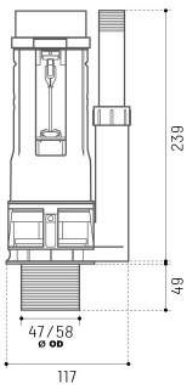


SPECIFICATION PRODUCT CODE	LIFTUP OUTLET VALVE
<b>FAO-OV-S200A</b>	40mm / 50mm S/F Push liftup outlet valve
<b>FAO-OV-S300A</b>	40mm / 50mm D/F Push liftup outlet valve
<b>FAO-S200A-P38</b>	40mm / 50mm Liftup outlet valve c/w 38mm single cp push button
<b>FAO-S200A-P48</b>	40mm / 50mm Liftup outlet valve c/w 48mm single cp push button
<b>FAO-S300A-P38</b>	40mm / 50mm Liftup outlet valve c/w 38mm dual cp push button
<b>FAO-S300A-P48</b>	40mm / 50mm Liftup outlet valve c/w 48mm dual cp push button

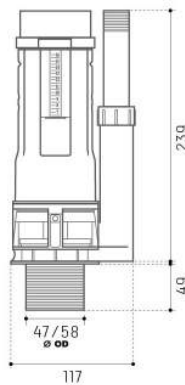
enlarged image

All measurements were made in millimeters (mm) unless otherwise indicated.

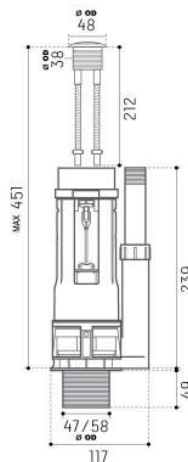
**FAO-OV-S200A**



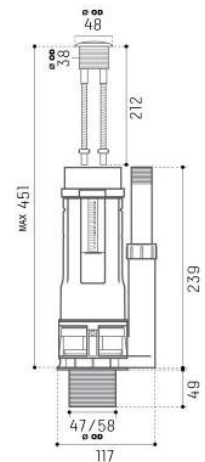
**FAO-OV-S300A**



**FAO-S200A**



**FAO-S300A**



YOUR SMART CHOICE FOR PRIVILEGE LIVING

ONE-PIECE WC LIFTUP OUTLET VALVE

FAO-S201-P38

FAO-S301-P38

FAO-OV-S302

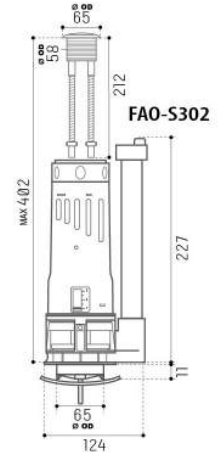
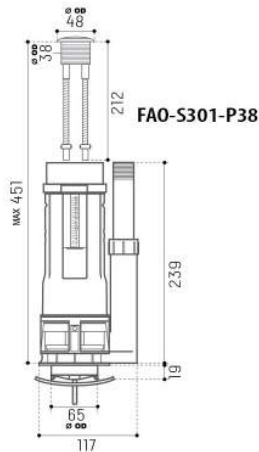
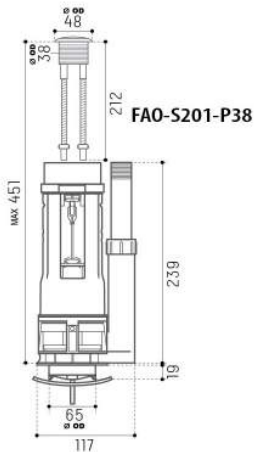
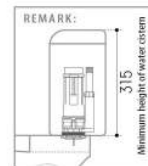
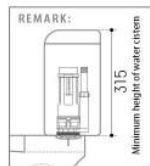
FAO-S302



SPECIFICATION PRODUCT CODE	LIFTUP OUTLET VALVE
FAO-S201-P38	50mm Liftup outlet valve c/w single cp push button
FAO-S301-P38	50mm Liftup outlet valve c/w dual cp push button
FAO-OV-S302	50mm One piece liftup outlet valve
FAO-S302	50mm One piece 8" height liftup outlet valve c/w 58mm dual cp push button

enlarged image

All measurements were made in millimeters (mm) unless otherwise indicated.





Commitment to quality



FLAPPER OUTLET VALVE

FAO-S210

FAO-L110-W

FAO-L110-CP

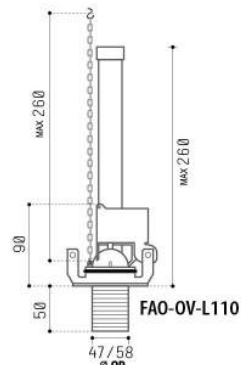
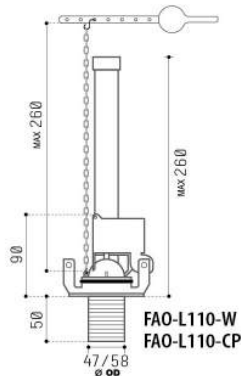
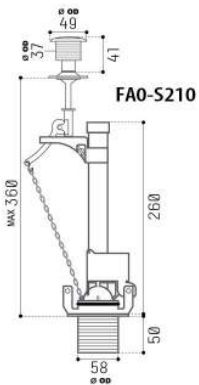
FAO-OV-L110



SPECIFICATION PRODUCT CODE	FLAPPER OUTLET VALVE
FAO-S210-P38	40mm / 50mm Flapper outlet valve c/w 38mm single cp push button
FAO-S210-P48	40mm / 50mm Flapper outlet valve c/w 48mm single cp push button
FAO-L110-W	40mm / 50mm Flapper outlet valve c/w white lever handle
FAO-L110-CP	40mm / 50mm Flapper outlet valve c/w chrome plated lever handle
FAO-OV-L110	40mm / 50mm Lever flapper outlet valve

enlarged image

All measurements were made in millimeters (mm) unless otherwise indicated.



YOUR SMART CHOICE FOR PRIVILEGE LIVING

ONE PIECE WC FLAPPER OUTLET VALVE

FAO-1050

FAO-1050-FL

FAO-1050-SL

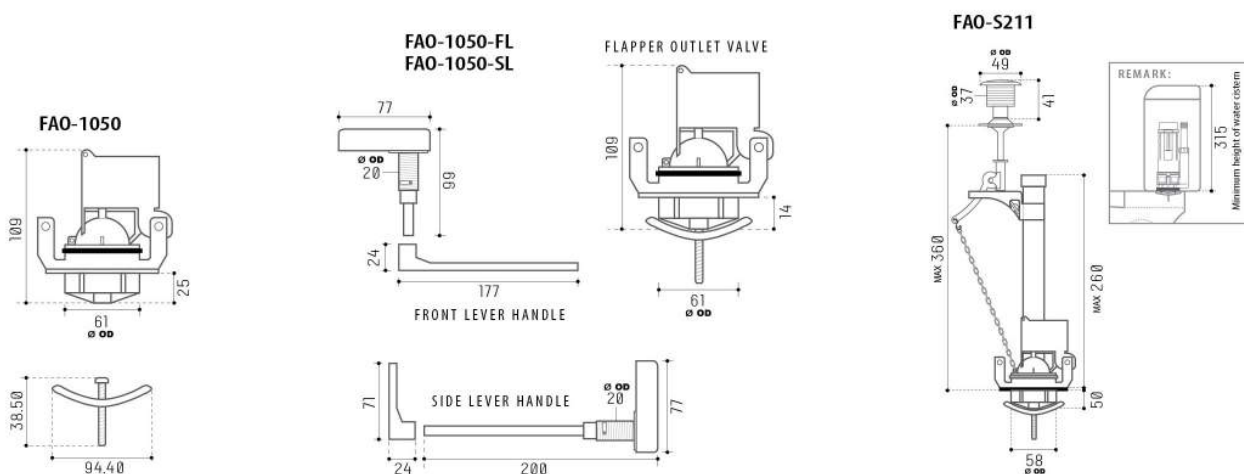
FAO-S211



SPECIFICATION PRODUCT CODE	ONE PIECE FLAPPER OUTLET VALVE
FAO-1050	50mm One piece single flush flapper outlet valve
FAO-1050-FL	50mm One piece SF flapper outlet valve c/w front lever handle
FAO-1050-SL	50mm One piece SF flapper outlet valve c/w side lever handle
FAO-S211-P38	50mm One piece flapper outlet valve c/w 38mm single cp push button
FAO-S211-P48	50mm One piece flapper outlet valve c/w 48mm single cp push button

enlarged image

All measurements were made in millimeters (mm) unless otherwise indicated.





Commitment to quality



**SIDE INLET VALVE**

**FAI-1039**

**FAI-1007**

**FAI-1007-A**

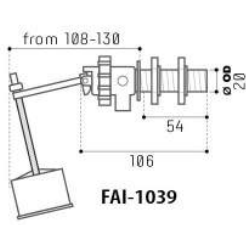
**FAI-1006**

**FAI-1022**

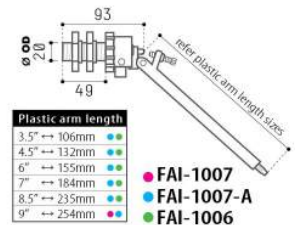
**FAI-1006-8**



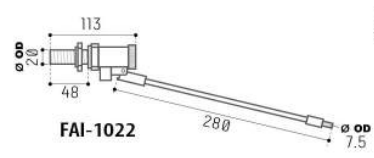
SPECIFICATION PRODUCT CODE	SIDE INLET	ACCESSORIES	MAX. PRESSURE	SCREW TRACK
<b>FAI-1039</b>	Side inlet hydraulic float valve		6 bar (84 psi)	
<b>FAI-1007</b>	Side inlet ball valve - 9"	Plastic arm	4 bar (57 psi)	15mm (1/2")
<b>FAI-1007-A</b> <small>silicon approved silicon seal</small>	Side inlet ball valve - 3.5", 4.5", 6", 7", 8.5", 9"	Plastic arm	4 bar (57 psi)	15mm (1/2")
<b>FAI-1006</b>	Side inlet ball valve - 3.5", 4.5", 6", 7", 8.5"	Plastic arm	3 bar (42 psi)	15mm (1/2")
<b>FAI-1022</b>	H/P ball valve	Brass arm	6 bar (84 psi)	15mm (1/2")
<b>FAI-1006-8</b>	Side inlet plastic ball valve	8" Slant arm	4 bar (57 psi)	15mm (1/2")



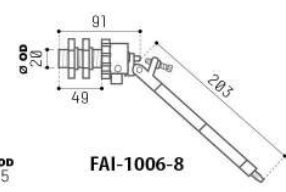
**FAI-1039**



● **FAI-1007**  
● **FAI-1007-A**  
● **FAI-1006**

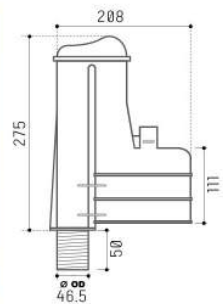


**FAI-1022**

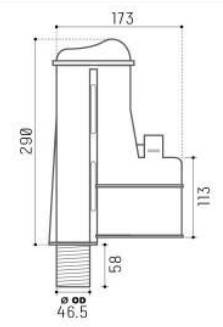


**FAI-1006-8**

**FAO-1015 PLASTIC SIPHON**



**FAO-1015A PLASTIC SIPHON**

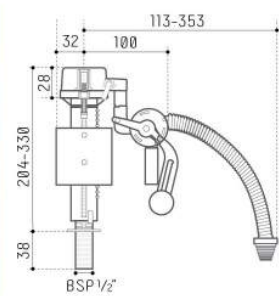
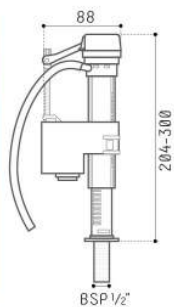
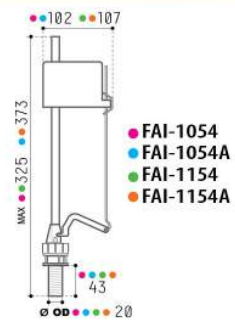
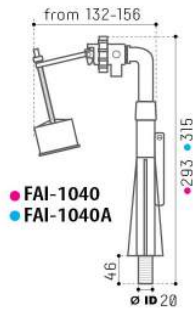
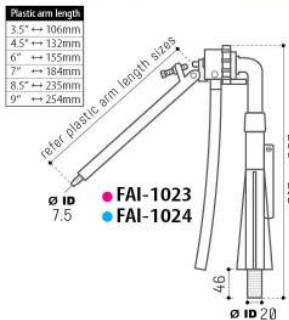
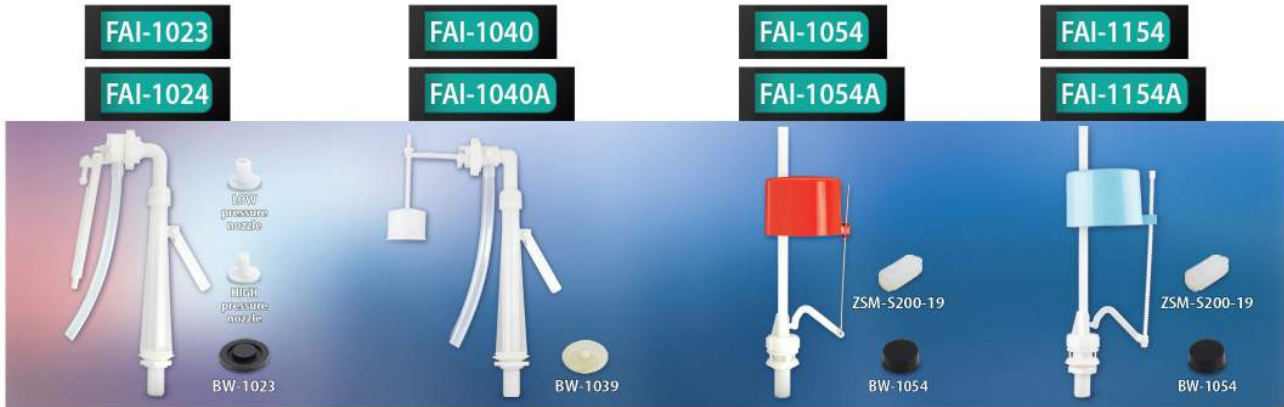


SPECIFICATION PRODUCT CODE	SIPHON TYPE
<b>FAO-1015</b>	Plastic siphon c/w assc - square
<b>FAO-1015A</b>	Plastic siphon c/w assc - round

All measurements were made in millimeters (mm) unless otherwise indicated.

YOUR SMART CHOICE FOR PRIVILEGE LIVING

**BOTTOM INLET VALVE**



SPECIFICATION PRODUCT CODE	BOTTOM INLET	MAX. PRESSURE	PLASTIC ARM LENGTH
FAI-1023	Bottom inlet ball valve c/w 7.5" stand	Low pressure nozzle : 3 bar (42 psi) High pressure nozzle: 6 bar (84 psi)	3.5", 4.5", 6", 7", 8.5", 9"
FAI-1024	Bottom inlet ball valve c/w 7" stand		
FAI-1040	Bottom inlet hydraulic float valve c/w 7" stand	7 bar (99 psi)	
FAI-1040A	Bottom inlet hydraulic float valve c/w 7.5" stand		
FAI-1054	Compact bottom inlet valve + stainless steel rod c/w 11" stand	6 bar (84 psi)	
FAI-1054A	Compact bottom inlet valve + stainless steel rod c/w 13" stand		
FAI-1154	Compact bottom inlet valve + plastic rod c/w 11" stand	6 bar (84 psi)	
FAI-1154A	Compact bottom inlet valve + plastic rod c/w 13" stand		
FAI-1059	Adjustable bottom inlet	8 bar (112 psi)	
FAI-1060	Hydraulic back inlet c/w refill & adjustable float	8 bar (112 psi)	

All measurements were made in millimeters (mm) unless otherwise indicated.



Commitment to quality



POLY FLOAT

FAF-1009A

FAF-1009

FAF-1008

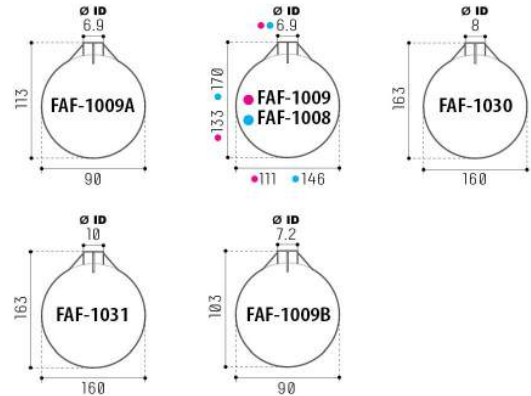
FAF-1030

FAF-1031

FAF-1009B



SPECIFICATION PRODUCT CODE	POLY FLOAT TYPE	COLOUR	SCREW TRACK
FAF-1009A	Flat poly float	Black	15mm (1/2")
FAF-1009	Poly float	Black	15mm (1/2")
FAF-1008	Poly float	Black	20mm (3/4")
FAF-1030	Light duty poly float	Red	25mm (1")
FAF-1031	Heavy duty poly float	White	25mm (1")
FAF-1009B	90mm Small PP float	Black	15mm (1/2")



LEVER ARM - FOR H/L CISTERN

FAL-1011A

FAL-1011

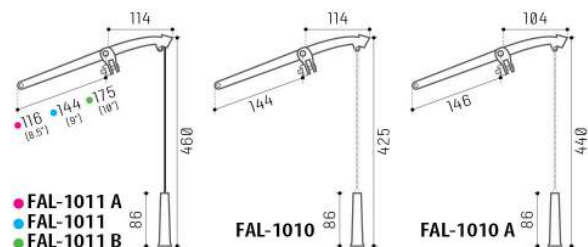
FAL-1011B

FAL-1010

FAL-1010A



SPECIFICATION PRODUCT CODE	LEVER ARM TYPE	ACCESSORIES
FAL-1011A	Plastic lever arm - 8.5"	Nylon string & plastic holder
FAL-1011	Plastic lever arm - 9"	
FAL-1011B	Plastic lever arm - 10"	
FAL-1010	Plastic lever arm	Metal chain & plastic holder
FAL-1010A	Aluminium lever arm	Metal chain & plastic holder



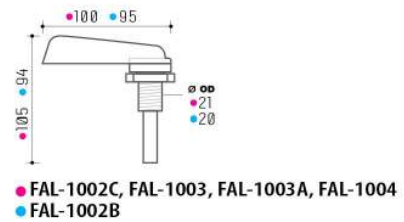
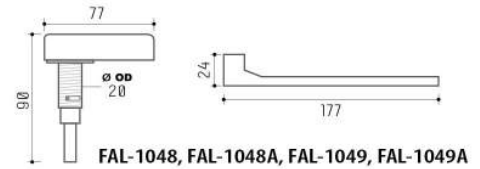
All measurements were made in millimeters (mm) unless otherwise indicated.

YOUR SMART CHOICE FOR PRIVILEGE LIVING

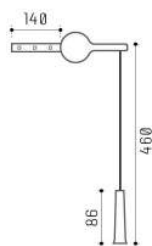
LEVER HANDLE - FOR L/L CISTERN



SPECIFICATION PRODUCT CODE	LEVER HANDLE TYPE
FAL-1048	"Short" chrome plated plastic "front" lever handle c/w accs
FAL-1049	"Short" white plastic "front" lever handle c/w accs
FAL-1048A	"Short" chrome plated plastic "side" lever handle c/w accs
FAL-1049A	"Short" white plastic "side" lever handle c/w accs
FAL-1002B	Chrome metal lever handle c/w chrome plated metal rod
FAL-1002C	Chrome plated plastic lever handle c/w chrome plated metal rod
FAL-1004	Chrome plated plastic lever handle c/w chrome plated plastic rod
FAL-1003	White plastic lever handle c/w plastic rod
FAL-1003A	White plastic lever handle c/w chrome plated metal rod



FAL-1048A-1 FAL-1049B-1 LEVER HANDLE - FOR H/L CISTERN



SPECIFICATION PRODUCT CODE	LEVER HANDLE TYPE
FAL-1048A-1	Chrome plated front pull lever handle c/w nylon string
FAL-1049B-1	White front pull lever handle c/w nylon string

FAA-1019 FAA-1019A FAA-1045 LEVER CONNECTOR



SPECIFICATION PRODUCT CODE	LEVER CONNECTOR TYPE
FAA-1019	Plastic lever connector - Short
FAA-1019A	Plastic lever connector - Long
FAA-1045	"L" type plastic lever connector

All measurements were made in millimeters (mm) unless otherwise indicated.





Commitment to quality



**FAB-1142** PUSH BUTTON - DF



**FAB-1146** PUSH BUTTON - DF



**FAB-1042** PUSH BUTTON - DF



**FAB-1147** PUSH BUTTON - SF



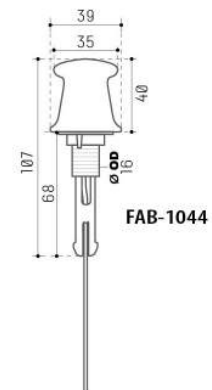
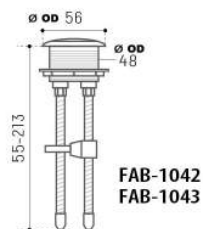
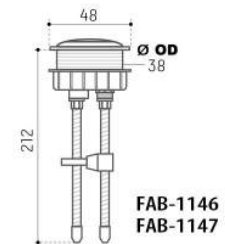
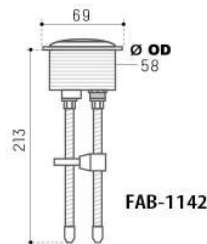
**FAB-1043** PUSH BUTTON - SF



**FAB-1044** PULL KNOB - SF



SPECIFICATION PRODUCT CODE	PUSH BUTTON / PULL KNOB TYPE
<b>FAB-1142</b>	58mm Chrome plated dual push button
<b>FAB-1146</b>	38mm Chrome plated dual push button
<b>FAB-1042</b>	48mm Chrome plated dual push button
<b>FAB-1147</b>	38mm Chrome plated single push button
<b>FAB-1043</b>	48mm Chrome plated single push button
<b>FAB-1044</b>	Chrome plated single pull knob



enlarged image

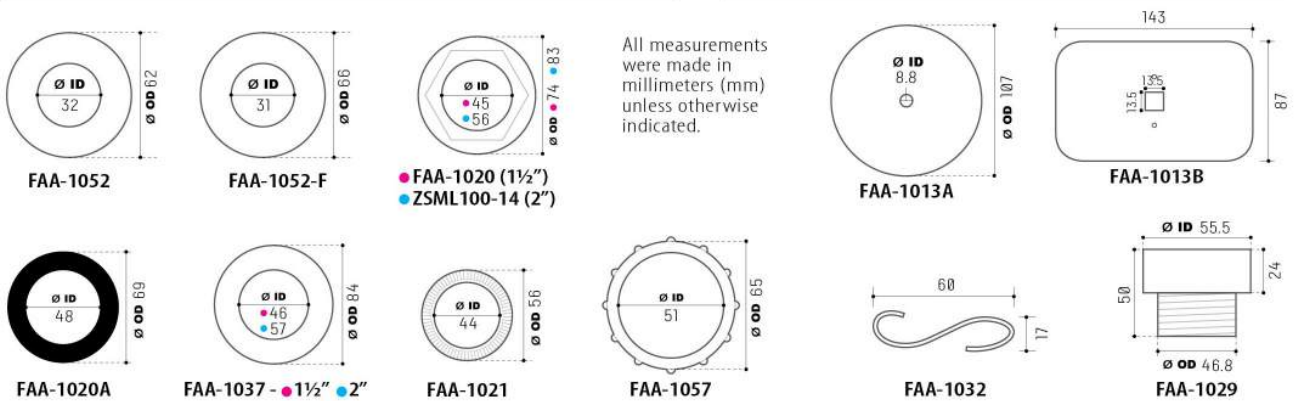
All measurements were made in millimeters (mm) unless otherwise indicated.

YOUR SMART CHOICE FOR PRIVILEGE LIVING



SPECIFICATION PRODUCT CODE	PRODUCT DESCRIPTION
FAA-1052	Silicon rubber seal for liftup outlet valve - FAO-OV-L100
FAA-1052-F	Flat silicon rubber seal for FAO-OV-S200A / FAO-OV-S300A outlet valve
FAA-1020	40mm Plastic hexagon connecting nut
ZSML100-14	50mm Plastic hexagon connecting nut
FAA-1020A	40mm PVC washer for siphon
FAA-1037	40/50mm White base seal

SPECIFICATION PRODUCT CODE	PRODUCT DESCRIPTION
FAA-1021	40mm Plastic round connecting nut
FAA-1057	50mm Plastic round connecting nut
FAA-1013A	Plastic diaphragm - round
FAA-1013B	Plastic diaphragm - square
FAA-1032	Brass "S" hook for siphon
FAA-1029	50mm x 40mm (2" x 1½") Reducing socket for outlet valve



**WALL BRACKET**



**CLOSE COUPLE RUBBER CONE, SPONGE WASHER, BOLTS, NUTS, WASHER & ETC.**



**SPONGE WASHER**

**OVERFLOW, OVERFLOW STOPPER & ETC.**



SPECIFICATION PRODUCT CODE	PRODUCT DESCRIPTION
FAA-1012	Long plastic wall bracket c/w accs
FAA-1012A	Short plastic wall bracket c/w accs
FAA-1012B	Medium plastic wall bracket c/w accs
FAA-1025	"L" Metal bracket c/w screws
FAA-1027	40mm/50mm Close couple rubber cone, bolts, nuts & washers
FAA-1027-1	Close couple sponge washer, bolts, nuts & washers
FAA-1027-A	Close couple plastic bolts, nuts & washers
FAA-1026	40mm/50mm Close couple rubber cone, metal butterfly plate, bolts & nuts
FAA-1028	40mm/50mm Close couple sponge washer, metal butterfly plate, bolts & nuts

SPECIFICATION PRODUCT CODE	PRODUCT DESCRIPTION
FAA-1027-1A	Close couple sponge washer
FAA-1033	Slant bottom overflow pipe
FAA-1005-01	Side overflow
FAA-1051	Bottom overflow stopper
ZSM1005-03	Side overflow net

YOUR SMART CHOICE FOR PRIVILEGE LIVING

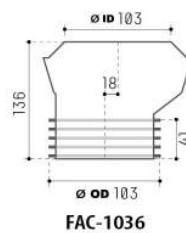
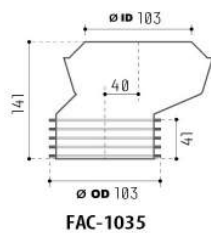
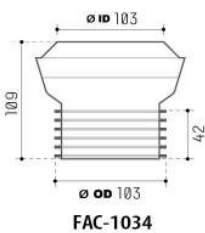
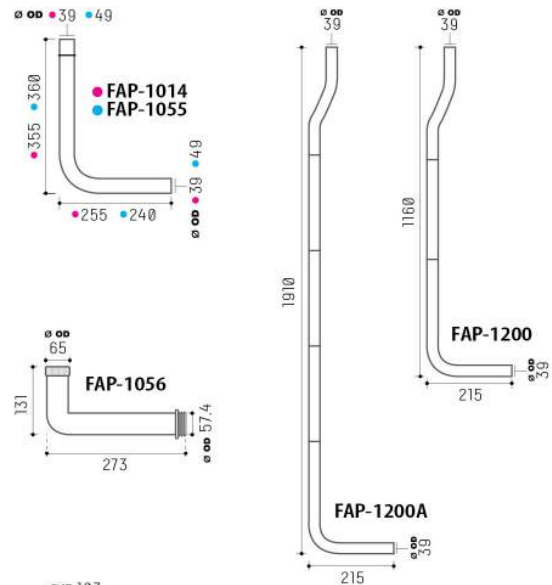
LOW LEVEL BEND, HIGH LEVEL FLUSH PIPE C/W BEND



W.C. FLEXIBLE CONNECTOR



SPECIFICATION PRODUCT CODE	PRODUCT DESCRIPTION
FAP-1014	Low level bend pipe & ring - 40mm (1½")
FAP-1055	Low level bend pipe & ring - 50mm (2")
FAP-1056	Low level bend pipe c/w hexagon nut & rubber inlet connector
FAP-1200	Mid level 3 section flush pipe c/w bend - 40mm (1½")
FAP-1200A	High level 5 section flush pipe c/w bend - 40mm (1½")
FAC-1034	4" W. C. flexible straight connector
FAC-1035	4"x2" W. C. flexible offset connector
FAC-1036	4"x1" W. C. flexible offset connector



All measurements were made in millimeters (mm) unless otherwise indicated.



Commitment to quality



RUBBER CONE

FAC-1005A

FAC-1005B



INLET CONNECTOR

FAC-1058

FAC-1005D

FAC-1005C

FAC-1005



URINAL CONNECTOR

T-1060

T-1061

T-1062

T-1063



BRACKET & SCREW

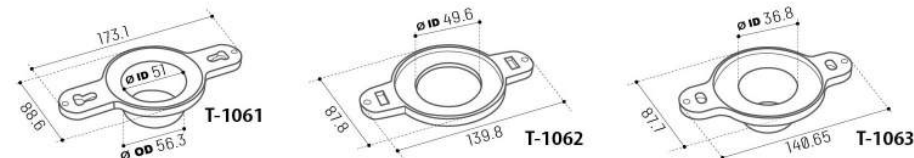
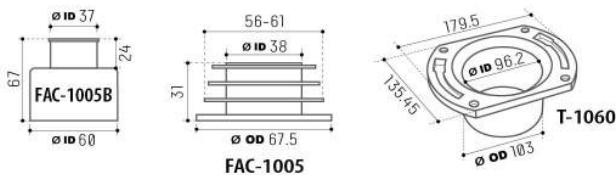
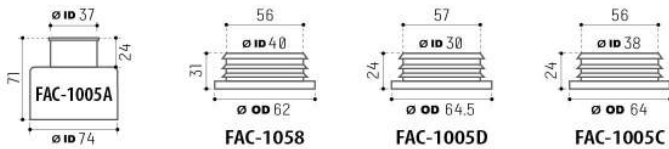
T-1064

T-1065

FAA-1027-C



SPECIFICATION PRODUCT CODE	PRODUCT DESCRIPTION
FAC-1005A	72mm Rubber cone - big (Black)
FAC-1005B	60mm Rubber cone - small (Black)
FAC-1058	50mm Rubber inlet connector
FAC-1005D	32mm Rubber inlet connector
FAC-1005C	38mm Rubber inlet connector
FAC-1005	38mm Plastic inlet connector
T-1060	Connector for One-piece WC (4 holes)
T-1061	2" Urinal gasket c/w accessories
T-1062	2" Urinal gasket c/w accessories
T-1063	1½" Urinal gasket c/w accessories
T-1064	MS Urinal bracket
T-1065	MS Basin bracket
FAA-1027-C	Close couple stainless steel screws



All measurements were made in millimeters (mm) unless otherwise indicated.

YOUR SMART CHOICE FOR PRIVILEGE LIVING

**WC INTERNAL FITTING - HIGH & LOW LEVEL (SIDE INLET)**

**CF-7214B-LL**



40mm Liftup outlet valve c/w front lever handle & side inlet

**CF-7511B-LL**



40mm Liftup outlet valve c/w D/F push button & side inlet

**CF-7312B-LL**



40mm Liftup outlet valve c/w S/F push button & side inlet

**CF-7117B-LL**



Square siphon c/w front lever handle & side inlet

**CF-7215A-HL**



40mm Liftup outlet valve c/w front lever handle string & side inlet

**CF-7116A-HL**



Square siphon c/w side lever handle string & side inlet

**WC INTERNAL FITTING - LOW LEVEL (BOTTOM INLET)**

**CF-7224B-LL**



40mm Liftup outlet valve c/w front lever handle & bottom inlet

**CF-7322B-LL**



40mm Liftup outlet valve c/w S/F push button & bottom inlet

**CF-7521B-LL**



40mm Liftup outlet valve c/w D/F push button & bottom inlet

**WC INTERNAL FITTING - CLOSE COUPLE**

**CF-7224DE-CC**



50mm Liftup outlet valve c/w front lever handle & bottom inlet

**CF-7422DE-CC**



50mm Liftup outlet valve c/w S/F push button & bottom inlet

**CF-7432DE-CC**



50mm Liftup outlet valve c/w S/F push button & bottom inlet

**CF-7621DE-CC**



50mm Liftup outlet valve c/w D/F push button & bottom inlet

**CF-7631DE-CC**



50mm Liftup outlet valve c/w D/F push button & bottom inlet

**WC INTERNAL FITTING - ONE PIECE**

**CF-7732AE-1P**



50mm Liftup outlet valve c/w S/F push button & bottom inlet

**CF-7831AE-1P**



50mm Liftup outlet valve c/w D/F push button & bottom inlet

**CF-7933AE-1P**



50mm Liftup outlet valve c/w 48mm D/F push button & bottom inlet



PLASTIC TOILET SEAT & COVER

YOUR SMART CHOICE FOR PRIVILEGE LIVING

**TSS-4126 SUPREME - SOFT CLOSE**

**TSS-4135 DURASIT - SOFT CLOSE**



**NOISE FREE SOFT CLOSE FEATURE**

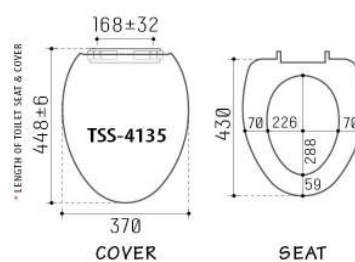
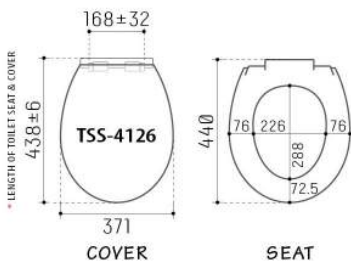
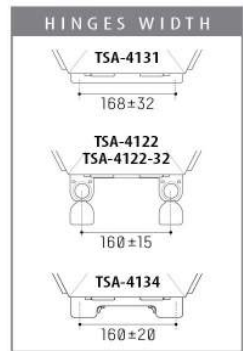


**NOISE FREE SOFT CLOSE FEATURE**



SPECIFICATION PRODUCT CODE	PRODUCT DESCRIPTION	CLASSIFICATION	APP. WEIGHT
TSS-4126	Supreme soft close toilet seat & cover	Heavy duty	1.65kg
TSS-4135	Durasit soft close toilet seat & cover	Heavy duty	1.60kg

TYPE OF HINGES PRODUCT CODE	STANDARD HINGE	OPTIONAL HINGE		
	TSA-4131	TSA-4122	TSA-4122-32	TSA-4134
TSS-4126	438 ±6	476 ±7	476 ±7 top fixing	460 ±15 top fixing
TSS-4135	448 ±6	470 ±7	470 ±7 top fixing	450 ±15 top fixing



All measurements were made in millimeters (mm) unless otherwise indicated.





Commitment to quality



PLASTIC TOILET SEAT & COVER

**TSS-4129 ELITE - SOFT CLOSE**



**NOISE FREE SOFT CLOSE FEATURE**



**TSS-4127 AQUA - SOFT CLOSE**

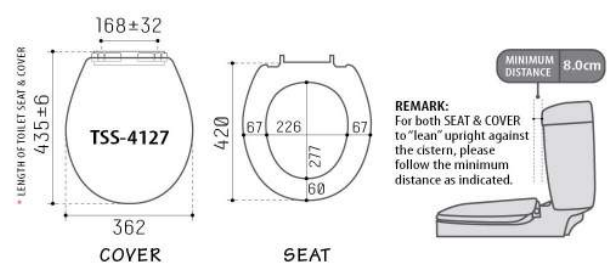
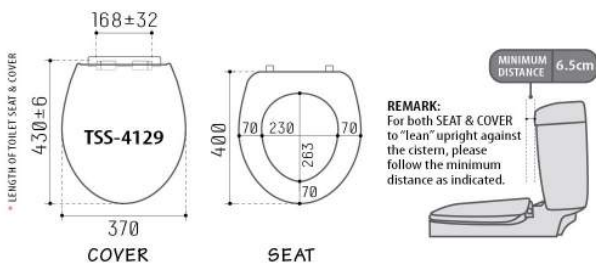
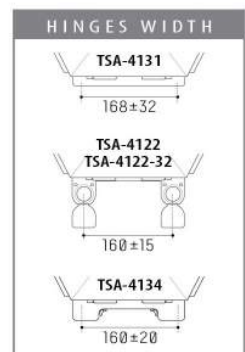


**NOISE FREE SOFT CLOSE FEATURE**



SPECIFICATION PRODUCT CODE	PRODUCT DESCRIPTION	CLASSIFICATION	APP. WEIGHT
TSS-4129	Elite soft close toilet seat & cover	Medium duty	1.30kg
TSS-4127	Aqua soft close toilet seat & cover	Medium duty	1.27kg

TYPE OF HINGES PRODUCT CODE	STANDARD HINGE		OPTIONAL HINGE	
	TSA-4131	TSA-4122	TSA-4122-32	TSA-4134
TSS-4129	● 430 ±6	● 456 ±7	● 456 ±7	● 432 ±15
TSS-4127	● 435 ±6	● 460 ±7	● 460 ±7	● 445 ±15



All measurements were made in millimeters (mm) unless otherwise indicated.

YOUR SMART CHOICE FOR PRIVILEGE LIVING

**TSS-4128 MONACO - SOFT CLOSE**



**NOISE FREE  
SOFT CLOSE  
FEATURE**



**TSS-4133 DYNAMIC - SOFT CLOSE**



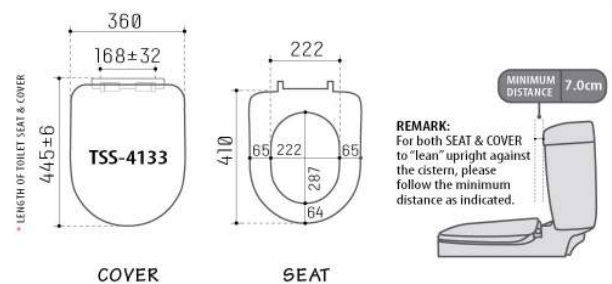
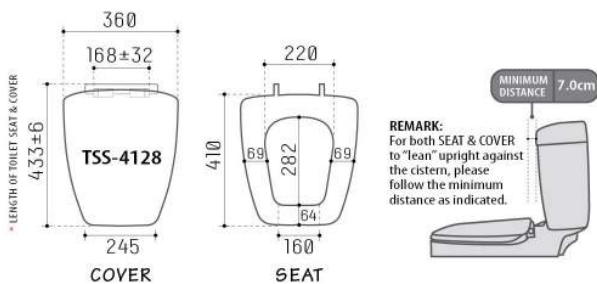
**NOISE FREE  
SOFT CLOSE  
FEATURE**



SPECIFICATION PRODUCT CODE	PRODUCT DESCRIPTION	CLASSIFICATION	APP. WEIGHT
TSS-4128	Monaco soft close toilet seat & cover	Heavy duty	1.50kg
TSS-4133	Dynamic soft close toilet seat & cover	Medium duty	1.30kg

TYPE OF HINGES PRODUCT CODE	STANDARD HINGE	OPTIONAL HINGE		
	TSA-4131	TSA-4122	TSA-4122-32	TSA-4134
TSS-4128	433 ±6	470 ±7	470 ±7 top fixing	445 ±15 top fixing
TSS-4133	445 ±6	480 ±7	480 ±7	455 ±15

HINGES WIDTH
TSA-4131 168±32
TSA-4122 TSA-4122-32 160±15
TSA-4134 160±20



All measurements were made in millimeters (mm) unless otherwise indicated.



Commitment to quality



PLASTIC TOILET SEAT & COVER

**TSS-4136**

**"TECHPLAS" FLAT SHAPE - SOFT CLOSE**



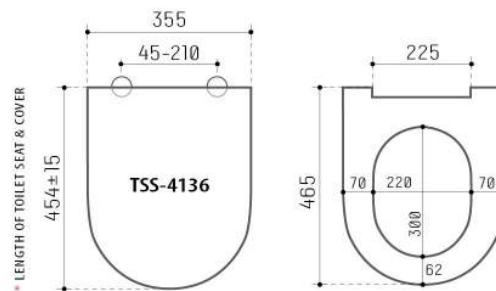
PREMIUM QUALITY



**NOISE FREE SOFT CLOSE FEATURE**

SPECIFICATION PRODUCT CODE	PRODUCT DESCRIPTION	CLASSIFICATION	APP. WEIGHT
TSS-4136	"Techplas" flat shape soft close toilet seat & cover	Heavy duty	1.60kg

TYPE OF HINGES	STANDARD HINGE
PRODUCT CODE	
TSS-4136	● 480 ±15



**REMARK:**  
For both SEAT & COVER to "lean" upright against the cistern, please follow the minimum distance as indicated.

All measurements were made in millimeters (mm) unless otherwise indicated.

YOUR SMART CHOICE FOR PRIVILEGE LIVING

**TSS-4137** "TECHPLAS" U SHAPE - SOFT CLOSE



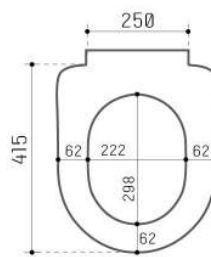
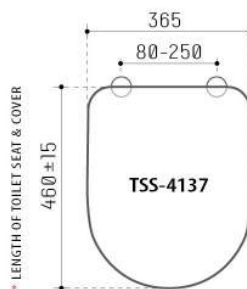
PREMIUM  
QUALITY



**NOISE FREE SOFT CLOSE FEATURE**

SPECIFICATION PRODUCT CODE	PRODUCT DESCRIPTION	CLASSIFICATION	APP. WEIGHT
TSS-4137	"Techplas" U shape soft close toilet seat & cover	Heavy duty	1.80kg

TYPE OF HINGES	STANDARD HINGE
PRODUCT CODE	
TSS-4137	● 470 ±15



All measurements were made in millimeters (mm) unless otherwise indicated.



Commitment to quality



PLASTIC TOILET SEAT & COVER

**TSC-4225 PREMIUM** - with CHILD SEAT

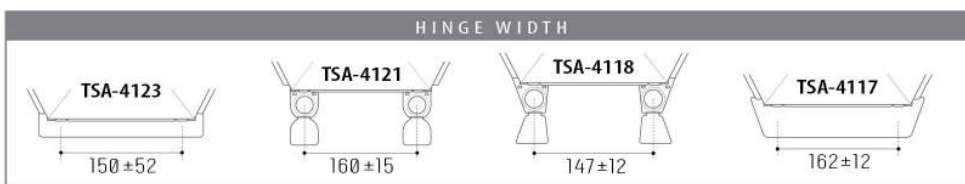


**TSC-4223 DELUXE** - with CHILD SEAT

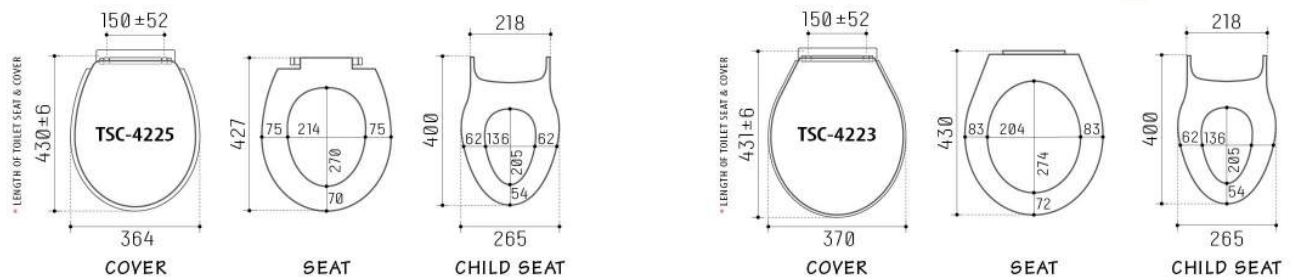


SPECIFICATION PRODUCT CODE	PRODUCT DESCRIPTION	CLASSIFICATION	APP. WEIGHT
TSC-4225	Premium toilet seat & cover with child seat	Medium duty	1.25kg
TSC-4223	Deluxe toilet seat & cover with child seat	Light duty	0.77kg

TYPE OF HINGES PRODUCT CODE	STANDARD HINGE		OPTIONAL HINGE	
	TSA-4123	TSA-4121	TSA-4118	TSA-4117
TSC-4225	● 430 ± 6	● 445 ± 7	● 444 ± 7	
TSC-4223	● 431 ± 6	● 453 ± 7	● 449 ± 7	● 432 ± 7



All measurements were made in millimeters (mm) unless otherwise indicated.



YOUR SMART CHOICE FOR PRIVILEGE LIVING

**TSM-4125 PREMIUM**

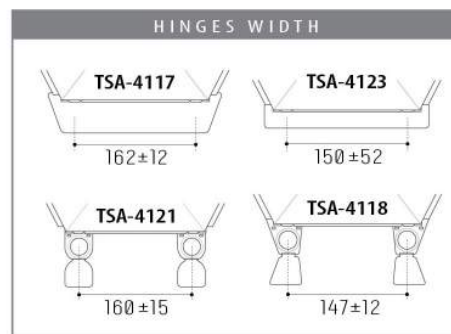
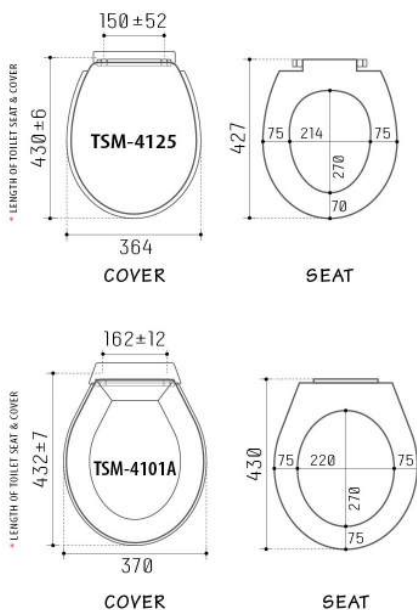


**TSM-4101A TECHPLAS**



SPECIFICATION PRODUCT CODE	PRODUCT DESCRIPTION	CLASSIFICATION	APP. WEIGHT
TSM-4125	Premium toilet seat & cover	Medium duty	1.25kg
TSM-4101A	Techplas toilet seat & cover	Medium duty	1.36kg

TYPE OF HINGES PRODUCT CODE	STANDARD HINGE		OPTIONAL HINGE	
	TSA-4117	TSA-4123	TSA-4121	TSA-4118
TSM-4125		● 430 ±6	● 445 ±7	● 444 ±7
TSM-4101A	● 432 ±7		● 450 ±7	● 447 ±7



All measurements were made in millimeters (mm) unless otherwise indicated.



Commitment to quality



PLASTIC TOILET SEAT & COVER

**TSL-4113 DELUXE**

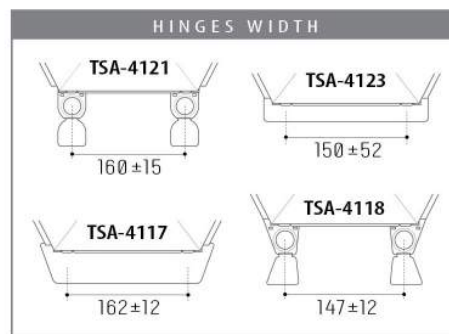
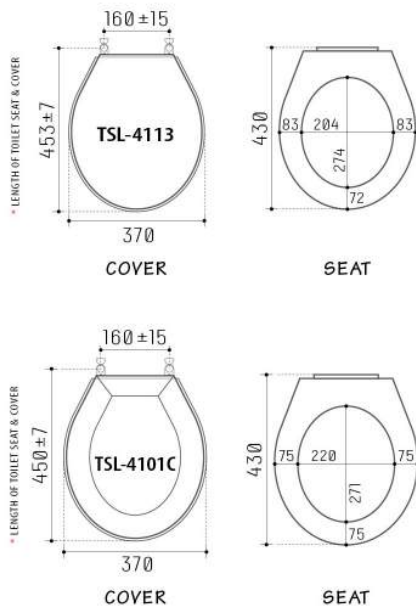


**TSL-4101C TECHPLAS**



SPECIFICATION PRODUCT CODE	PRODUCT DESCRIPTION	CLASSIFICATION	APP. WEIGHT
TSL-4113	Deluxe toilet seat & cover	Light duty	0.77kg
TSL-4101C	Techplas toilet seat & cover	Light duty	0.70kg

TYPE OF HINGES PRODUCT CODE	STANDARD HINGE	OPTIONAL HINGE		
	TSA-4121	TSA-4123	TSA-4117	TSA-4118
TSL-4113	● 453 ±7	● 431 ±6	● 432 ±7	● 449 ±7
TSL-4101C	● 450 ±7	● 431 ±6		● 448 ±7



All measurements were made in millimeters (mm) unless otherwise indicated.

YOUR SMART CHOICE FOR PRIVILEGE LIVING

**TSL-4110 ECON**

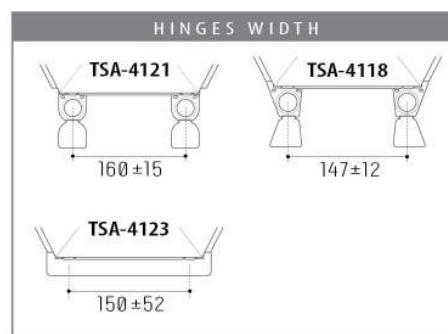
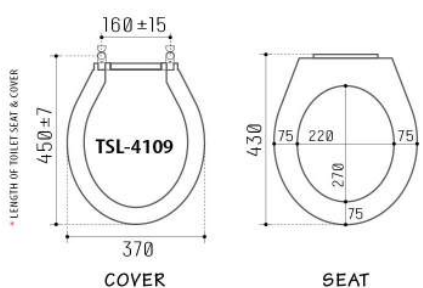
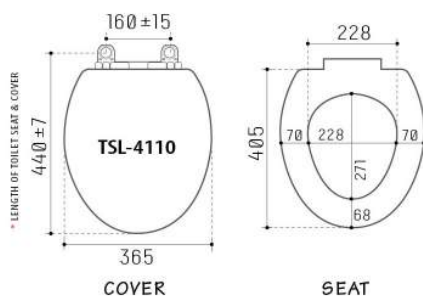


**TSL-4109 TECHPLAS - HALF COVER**



SPECIFICATION PRODUCT CODE	PRODUCT DESCRIPTION	CLASSIFICATION	APP. WEIGHT
TSL-4110	Econ toilet seat & cover	Light duty	0.53kg
TSL-4109	Techplas toilet seat & half cover	Light duty	0.55kg

TYPE OF HINGES PRODUCT CODE	STANDARD HINGE	OPTIONAL HINGE	
	TSA-4121	TSA-4118	TSA-4123
TSL-4110	● 440 ± 7	● 440 ± 7	● 425 ± 6
TSL-4109	● 450 ± 7	● 448 ± 7	● 433 ± 6



All measurements were made in millimeters (mm) unless otherwise indicated.





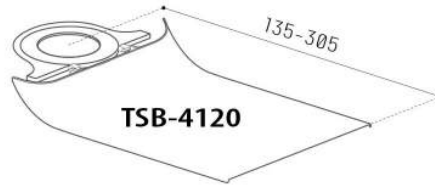
Commitment to quality



PLASTIC TOILET SEAT & COVER

ACCESSORIES FOR TOILET SEAT & COVER

**TSB-4120**



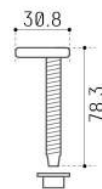
**TSA-4119**

**TSA-4119A**

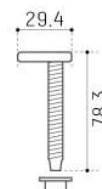
**TSA-4132**



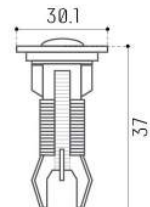
SPECIFICATION PRODUCT CODE	PRODUCT DESCRIPTION
<b>TSB-4120</b>	Plastic link-holder & bridge
<b>TSA-4119</b>	Round screws, nuts & washers for hinges
<b>TSA-4119A</b>	Square screws, nuts & washers for hinges
<b>TSA-4132</b>	Top fixing screws assc. for hinges



**TSA-4119**



**TSA-4119A**



**TSA-4132**

All measurements were made in millimeters (mm) unless otherwise indicated.



PLASTIC SANITARY WARE  
/ HOSES & FITTINGS

YOUR SMART CHOICE FOR PRIVILEGE LIVING

## BASIN, KITCHEN SINK WASTE

PPW-2112



32mm (1 1/4")

PPW-2116



32mm (1 1/4")

PPW-2113



40mm (1 1/2")

PPW-2114



40mm (1 1/2")

PPW-2200



65mm (2 1/2")

PPW-2107



38mm (1 1/2")

PPW-3130



38mm (1 1/2")

PPW-2106



40mm (1 1/2")

PPW-2102A



32mm (1 1/4")

PPW-2104A



40mm (1 1/2")

PPW-2201



32mm (1 1/4")

PPW-2203



40mm (1 1/2")

SPECIFICATION PRODUCT CODE	PRODUCT DESCRIPTION
PPW-2112	Basin waste c/w plug & plastic chain – S.S. top
PPW-2116	Basin waste c/w plug & plastic chain – plastic top
PPW-2113	Kitchen sink waste c/w plug & plastic chain – S.S. top
PPW-2114	Kitchen sink waste c/w plug & plastic chain – plastic top
PPW-2200	Kitchen sink strainer waste (available in threaded or socket end)
PPW-2107	Kitchen sink waste with overflow – chrome plated chain

\* Available in steel screw

SPECIFICATION PRODUCT CODE	PRODUCT DESCRIPTION
PPW-3130	PP Lap sink waste c/w stand pipe
PPW-2106	Kitchen sink waste c/w plug w/o chain – plastic top
PPW-2102A	Strainer waste – S.S. top
PPW-2104A	Strainer waste – S.S. top
PPW-2201	Basin waste c/w plug with handle – S.S. top
PPW-2203	Kitchen sink waste c/w plug with handle – S.S. top



Commitment to quality



PLASTIC SANITARY WARE  
/ HOSES & FITTINGS

## PLUG & CHAIN

PPWA-2118-01

PPWA-2117-02

PPWA-2109A

PPWA-2111A



SPECIFICATION PRODUCT CODE	PRODUCT DESCRIPTION
PPWA-2118-01	32mm (1¼") Hook plug c/w plastic chain for basin waste
PPWA-2117-02	40mm (1½") Hook plug c/w plastic chain for kitchen sink waste
PPWA-2109A	32mm (1¼") Plug with handle for basin waste
PPWA-2111A	40mm (1½") Plug with T-handle

YOUR SMART CHOICE FOR PRIVILEGE LIVING

BASIN / SINK PLASTIC BOTTLE TRAP

PPB-3104

PPB-3106

PPB-3101

PPB-3102

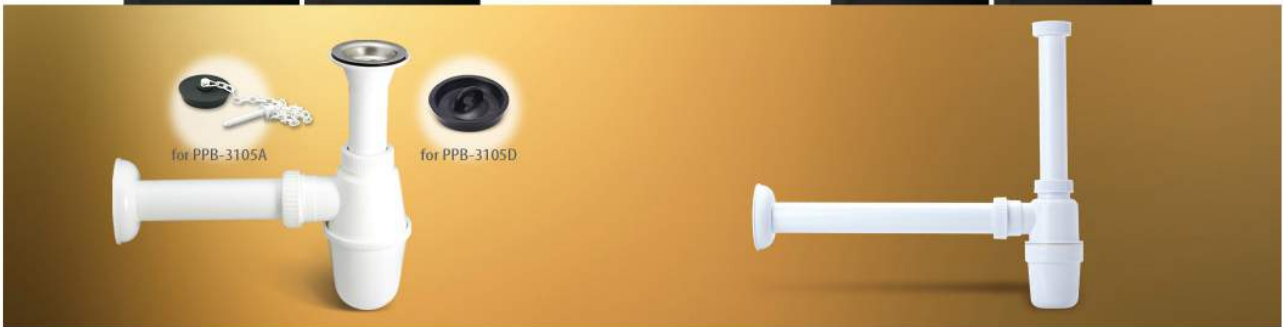


PPB-3105A

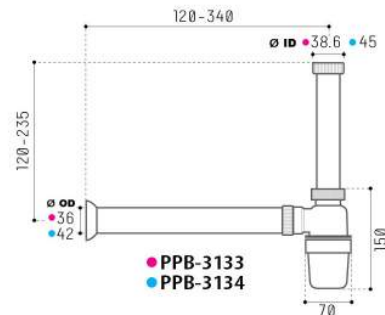
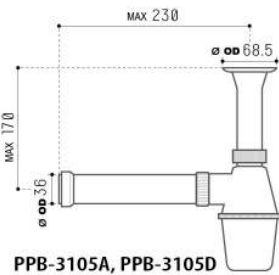
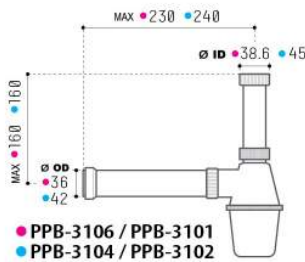
PPB-3105D

PPB-3133

PPB-3134



SPECIFICATION PRODUCT CODE	PRODUCT DESCRIPTION	CONNECTION SIZE & FLOW SIZE
PPB-3104	Sink plastic bottle trap	40mm (1½")
PPB-3106	Basin plastic bottle trap	32mm (1¼")
PPB-3101	Basin ABS chrome bottle trap	32mm (1¼")
PPB-3102	Sink ABS chrome bottle trap	40mm (1½")
PPB-3105A	Basin plastic bottle trap c/w waste plug & plastic chain - S. S. Top	32mm (1¼")
PPB-3105D	Basin plastic bottle trap c/w waste plug with handle - S. S. Top	32mm (1¼")
PPB-3134	Sink plastic bottle trap c/w 250mm vertical pipe & 300mm horizontal pipe	40mm (1½")
PPB-3133	Basin plastic bottle trap c/w 250mm vertical pipe & 300mm horizontal pipe	32mm (1¼")



All measurements were made in millimeters (mm) unless otherwise indicated.



Commitment to quality



PLASTIC SANITARY WARE / HOSES & FITTINGS

BASIN / SINK PLASTIC BOTTLE TRAP

PPB-3120

PPB-3121

PPB-3120A

PPB-3121A

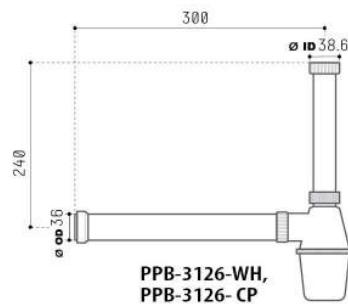
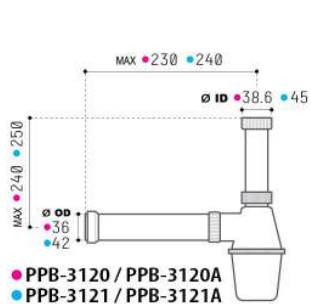


PPB-3126-WH

PPB-3126-CP



SPECIFICATION PRODUCT CODE	PRODUCT DESCRIPTION	CONNECTION SIZE & FLOW SIZE
PPB-3120	Basin plastic bottle trap with 240mm vertical pipe & 7" horizontal pipe	32mm (1¼")
PPB-3121	Sink plastic bottle trap with 250mm vertical pipe & 8" horizontal pipe	40mm (1½")
PPB-3120A	Basin ABS chrome bottle trap with 240mm vertical pipe & 7" horizontal pipe	32mm (1¼")
PPB-3121A	Sink ABS chrome bottle trap with 250mm vertical pipe & 8" horizontal pipe	40mm (1½")
PPB-3126-WH	Basin plastic bottle trap only c/w 240mm vertical pipe & 10" horizontal pipe	32mm (1¼")
PPB-3126-CP	Basin ABS chrome bottle trap only c/w 240mm vertical pipe & 10" horizontal pipe	32mm (1¼")



All measurements were made in millimeters (mm) unless otherwise indicated.

YOUR SMART CHOICE FOR PRIVILEGE LIVING

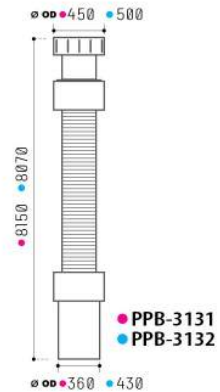
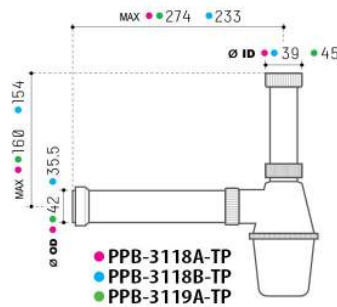
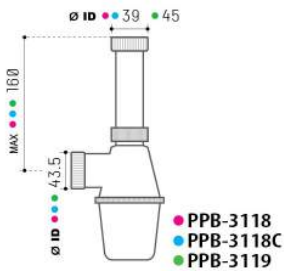
BASIN / SINK PLASTIC BOTTLE TRAP



SPECIFICATION PRODUCT CODE	PRODUCT DESCRIPTION	CONNECTION SIZE & FLOW SIZE
PPB-3118	Basin plastic bottle trap w/o 7" or 8" horizontal pipe	32mm x 40mm (1¼" x 1½")
PPB-3118C	Basin plastic bottle trap w/o 7" or 8" horizontal pipe	32mm x 32mm (1¼" x 1¼")
PPB-3119	Sink plastic bottle trap w/o 7" or 8" horizontal pipe	40mm x 40mm (1½" x 1½")
PPB-3118A-TP	Basin plastic bottle trap c/w 8" horizontal pipe	32mm x 40mm (1¼" x 1½")
PPB-3118B-TP	Basin plastic bottle trap c/w 7" horizontal pipe	32mm x 32mm (1¼" x 1¼")
PPB-3119A-TP	Sink plastic bottle trap c/w 8" horizontal pipe	40mm x 40mm (1½" x 1½")



SPECIFICATION PRODUCT CODE	PRODUCT DESCRIPTION	CONNECTION SIZE & FLOW SIZE
PPB-3131	Basin flexible trap	32mm (1¼")
PPB-3132	Sink flexible trap	40mm (1½")



enlarged image

All measurements were made in millimeters (mm) unless otherwise indicated.



Commitment to quality

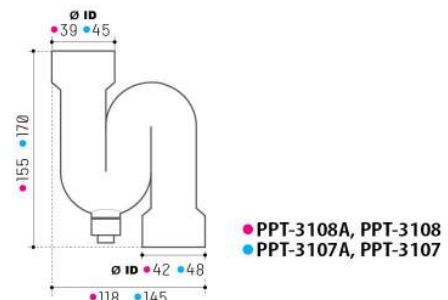
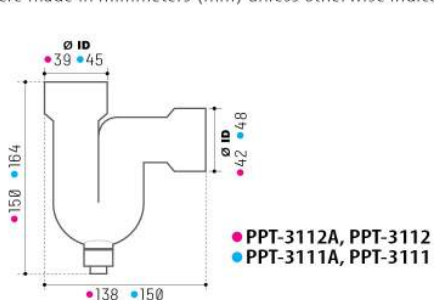


PLASTIC SANITARY WARE / HOSES & FITTINGS



SPECIFICATION PRODUCT CODE	PRODUCT DESCRIPTION	CONNECTION SIZE & FLOW SIZE
PPT-3112A	Basin plastic "P" trap - plain bottom	32mm (1¼")
PPT-3111A	Sink plastic "P" trap - plain bottom	40mm (1½")
PPT-3112	Basin plastic "P" trap - plain bottom	32mm (1¼")
PPT-3111	Sink plastic "P" trap - plain bottom	40mm (1½")
PPT-3108A	Basin plastic "S" trap - plain bottom	32mm (1¼")
PPT-3107A	Sink plastic "S" trap - plain bottom	40mm (1½")
PPT-3108	Basin plastic "S" trap - plain bottom	32mm (1¼")
PPT-3107	Sink plastic "S" trap - plain bottom	40mm (1½")
PPTA-3117	Plug for "S" & "P" trap (white / black)	32mm (1¼") & 40mm (1½")
PPTA-3109	Bush for "S" & "P" trap (white / black)	32mm (1¼")
PPTA-3110	Bush for "S" & "P" trap (white / balck)	40mm (1½")
PPTA-3124	Converter for "S" & "P" trap (white / black)	48mm x 50mm
PPTA-3125	Converter for "S" & "P" trap (white / black)	42mm x 40mm

All measurements were made in millimeters (mm) unless otherwise indicated.



YOUR SMART CHOICE FOR PRIVILEGE LIVING

**PPT-3122 FLEXIBLE DRAIN HOSE**



**PPT-3123 FLEXIBLE DRAIN HOSE**



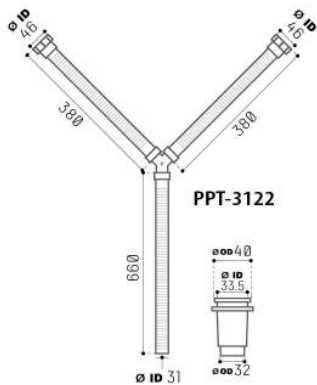
**PVC FLEXIBLE HOSE**

**PPH-4206-SLN**

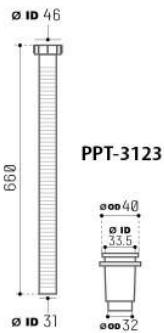
**PPH-4206-LLN**



SPECIFICATION PRODUCT CODE	PRODUCT DESCRIPTION	LENGTH AVAILABLE
<b>PPT-3122</b>	40mm (1½") Grey "Y" Flexible drain hose for double bowl sink	
<b>PPT-3123</b>	40mm (1½") Grey flexible drain hose for single bowl sink	
<b>PPH-4206-SLN</b>	PVC flexible hose with short nut @ both end	1200mm (48") • 1500mm (60") • 1800mm (72")
<b>PPH-4206-LLN</b>	PVC flexible hose with short & long nut @ both end	



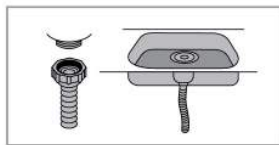
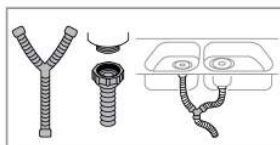
**PPT-3122**



**PPT-3123**



MAX TEMPERATURE : 50°C  
MAX PRESSURE : 3 bar (42 psi)



All measurements were made in millimeters (mm) unless otherwise indicated.





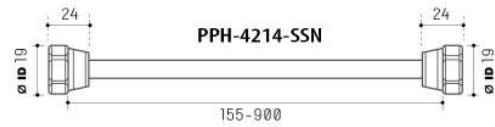
Commitment to quality



PLASTIC SANITARY WARE / HOSES & FITTINGS

PVC REINFORCED HOSE

PPH-4214-SSN



MAX TEMPERATURE : 50°C  
MAX PRESSURE : PVC reinforced • 10 bar (145 psi)

PPHR-4200

HIGH SPECS PVC REINFORCED HOSE - 30 METER Max Pressure: 10 bar (145 psi)



**FREE**  
20 sets of Hose Fittings



PPHA-4106A

FLEXIBLE HOSE WASHER

PPHA-4106B

PPHA-4206-ASSC

FLEXIBLE HOSE FITTINGS



STANDARD PACKING:  
DIY Bag - 200 pcs

STANDARD PACKING:  
DIY Bag - 200 pcs



STANDARD PACKING:  
1 carton - 400 sets

SPECIFICATION	PRODUCT DESCRIPTION	LENGTH AVAILABLE
PRODUCT CODE		
PPH-4214-SSN	10 bar PVC reinforced hose with HP short nut @ both end	155mm (6") • 200mm (8") • 250mm (10") • 300mm (12") • 350mm (14") • 400mm (16") • 450mm (18") • 500mm (20") • 600mm (24") • 900mm (36")
PPHR-4200	PVC reinforced hose c/w FREE 20 sets of hose fittings	
PPHA-4106A	15mm (1/2") Flexible hose washer - thin	
PPHA-4106B	15mm (1/2") Flexible hose washer - thick	
PPHA-4206-ASSC	HP Plastic flexible hose fittings	

All measurements were made in millimeters (mm) unless otherwise indicated.

YOUR SMART CHOICE FOR PRIVILEGE LIVING

PLASTIC GRATING

PPG-3114



100mm (4")

PPG-3115



100mm (4")

PPG-3115A



100mm (4")

PPG-3116



155mm (6")

PPG-3113

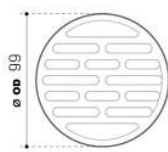


155mm (6")

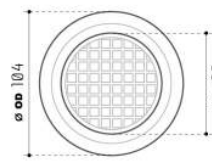
PPG-3127



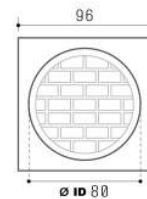
SPECIFICATION PRODUCT CODE	PRODUCT DESCRIPTION
PPG-3114	100mm (4") Plastic grating single (round)
PPG-3115	100mm (4") Plastic grating double (round)
PPG-3115A	100mm (4") Plastic grating double (square)
PPG-3116	155mm (6") Plastic grating double (square)
PPG-3113	155mm (6") Plastic filter grating
PPG-3127	125mm 5" ABS floor trap c/w filter



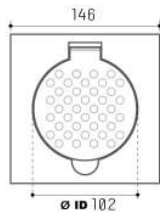
PPG-3114



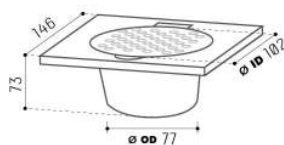
PPG-3115



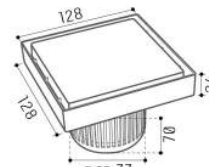
PPG-3115A



PPG-3116



PPG-3113



PPG-3127

All measurements were made in millimeters (mm) unless otherwise indicated.



Commitment to quality



PLASTIC SANITARY WARE / HOSES & FITTINGS

PVC / ABS FOOT VALVE

PPF-6119

PPF-6120

PPF-6119A

PPF-6120A

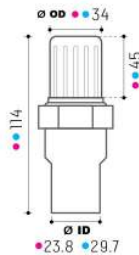
PPF-6120A-SE

PPF-6122

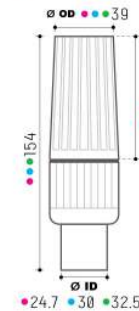


SPECIFICATION PRODUCT CODE	PRODUCT DESCRIPTION	SIZE
PPF-6119	PVC foot valve	20mm (3/4")
PPF-6120	PVC foot valve	25mm (1")
	OTHER SIZES AVAILABLE B - 32mm (1 1/4") C - 40mm (1 1/2") D - 50mm (2") E - 75mm (3")	
PPF-6119A	ABS foot valve - threaded end	20mm (3/4")
PPF-6120A	ABS foot valve - threaded end	25mm (1")
PPF-6120A-SE	ABS foot valve - socket end	25mm (1")
PPF-6122	Plastic coupling	
	SIZES AVAILABLE A - 25mm (1") B - 40mm (1 1/2") C - 50mm (2") D - 75mm (3")	

PPF-6119  
PPF-6120

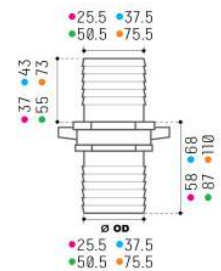


PPF-6119A  
PPF-6120A  
PPF-6120A-SE



PPF-6122

25mm (1")  
40mm (1 1/2")  
50mm (2")  
75mm (3")



P/E NIPPLE & BUSH

PPF-6112

PPF-6113

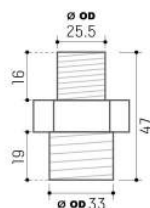
PPF-6115

PPF-6116

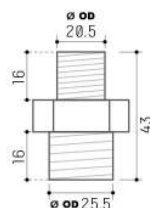
PPF-6114



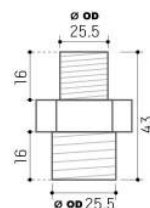
SPECIFICATION PRODUCT CODE	PRODUCT DESCRIPTION	SIZE
PPF-6112	P/E nipple	1" X 3/4"
PPF-6113	P/E nipple	1/2" X 3/4"
PPF-6115	P/E nipple	3/4" X 3/4"
PPF-6116	P/E nipple	1/2" X 1/2"
PPF-6114	P/E bush	1/2" X 3/4"



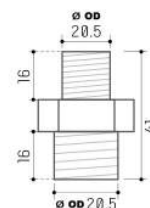
PPF-6112



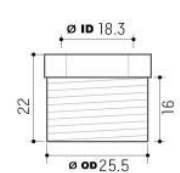
PPF-6113



PPF-6115



PPF-6116



PPF-6114

All measurements were made in millimeters (mm) unless otherwise indicated.



PLASTIC BATHROOM  
ACCESSORIES

YOUR SMART CHOICE FOR PRIVILEGE LIVING

## SHOWER ROSE

BAR-8003



BAR-4108



BAR-4107



BAR-4108A

BAR-4107A

BAR-4130-WH



## SHOWER ARM

BAR-4104

BAR-4111



BAR-4103

BAR-4112A



BAR-4103A

BAR-4112



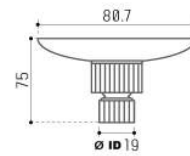
ZSM4104-02



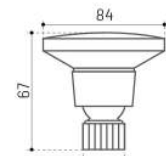
CSM4103-02



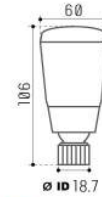
SPECIFICATION PRODUCT CODE	PRODUCT DESCRIPTION	
BAR-8003	Chrome plated plastic sunflower rose	75mm (3")
BAR-4108	White plastic shower rose	100mm (4")
BAR-4107	Chrome plated plastic shower rose	100mm (4")
BAR-4108A	White plastic shower rose	65mm (2½")
BAR-4107A	Chrome plated plastic shower rose	65mm (2½")
BAR-4130-WH	ABS shower rose	110mm (4½")
BAR-4104	White plastic shower arm c/w white flange	200mm (8")
BAR-4111	White plastic shower arm c/w white flange	125mm (5")
BAR-4103	Chrome plated plastic shower arm c/w white flange	200mm (8")
BAR-4112A	Chrome plated plastic shower arm c/w white flange	125mm (5")
BAR-4103A	Chrome plated plastic shower arm c/w CP flange	200mm (8")
BAR-4112	Chrome plated plastic shower arm c/w CP flange	125mm (5")
ZSM4104-02	White flange	
CSM4103-02	Chrome plated flange	



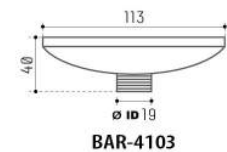
BAR-8003



BAR-4108  
BAR-4107



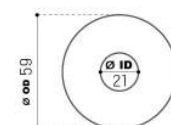
BAR-4108A  
BAR-4107A



BAR-4103



BAR-4104, BAR-4103, BAR-4103A  
BAR-4111, BAR-4112A, BAR-4112



ZSM4104-02,  
CSM4103-02

All measurements were made in millimeters (mm) unless otherwise indicated.



Commitment to quality



PLASTIC BATHROOM ACCESSORIES

HAND BIDET & SHOWER

**BAS-6118**

**BAB-6134**

**BAB-6137-CP**



BIDET NOZZLE & HANGER

**BAB-6110-CP**

**BAB-6111-CP**

**BAB-6110A-CP**

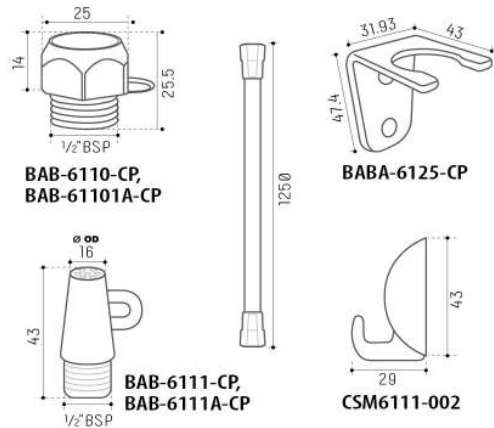
**BAB-6111A-CP**

**CSM6111-002**

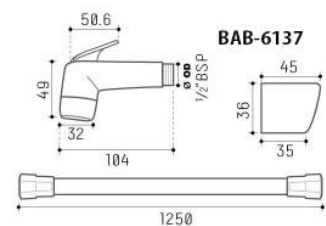
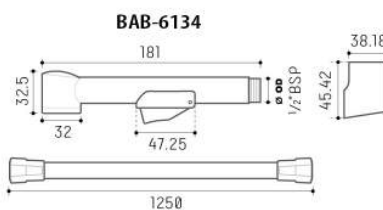
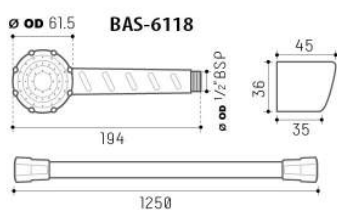
**BABA-6125-CP**



SPECIFICATION PRODUCT CODE	PRODUCT DESCRIPTION
<b>BAS-6118</b>	Plastic hand shower + PVC hose
<b>BAB-6134</b>	"Mid press" hand bidet + PVC hose
<b>BAB-6137-CP</b>	Smart CP head hand bidet + PVC hose
<b>BAB-6110-CP</b>	"Hex" CP bidet nozzle c/w CP nut white hose
<b>BAB-6110A-CP</b>	"Hex" CP bidet nozzle & "L" hanger only
<b>BAB-6111-CP</b>	Long CP bidet nozzle c/w CP nut white hose
<b>BAB-6111A-CP</b>	Long CP bidet nozzle & hook only
<b>CSM6111-002</b>	Chrome plated bidet hook
<b>BABA-6125-CP</b>	Chrome plated plastic "L" hanger



All measurements were made in millimeters (mm) unless otherwise indicated.



YOUR SMART CHOICE FOR PRIVILEGE LIVING

**BAB-6132** TREND PLASTIC HAND BIDET - WHITE



**BAB-6132-CP** TREND PLASTIC HAND BIDET - CHROME HEAD



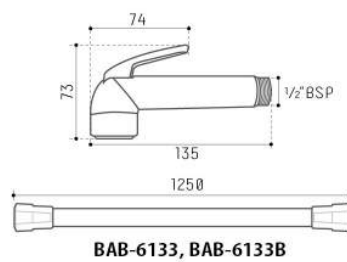
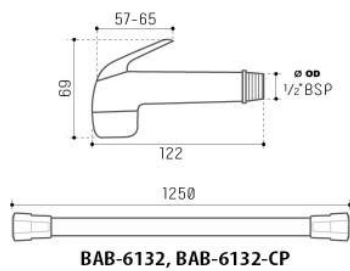
**BAB-6133** SUPERLUX PLASTIC HAND BIDET - CHROME HEAD



**BAB-6133B** SUPERLUX PLASTIC HAND BIDET - CHROME COMBINATION



SPECIFICATION PRODUCT CODE	PRODUCT DESCRIPTION
<b>BAB-6132</b>	Trend plastic hand bidet + PVC hose
<b>BAB-6132-CP</b>	Trend plastic chrome head hand bidet + PVC hose
<b>BAB-6133</b>	Superlux plastic chrome head hand bidet + PVC hose
<b>BAB-6133B</b>	Superlux plastic chrome combination hand bidet + PVC hose



All measurements were made in millimeters (mm) unless otherwise indicated.



Commitment to quality



PLASTIC BATHROOM ACCESSORIES

**BAW-N6229**

PLASTIC BATH TUB



**BAW-N6228**

PLASTIC BATH TUB



**BAW-N6225**

PLASTIC BATH TUB - SQUARE

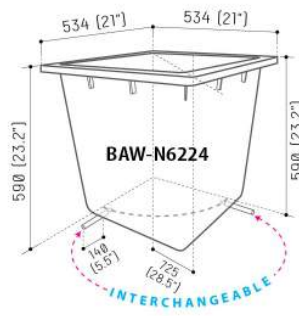
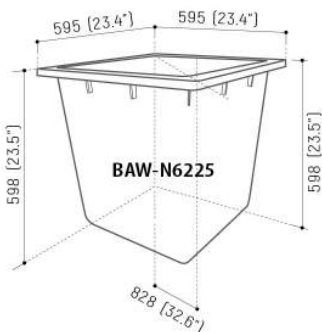
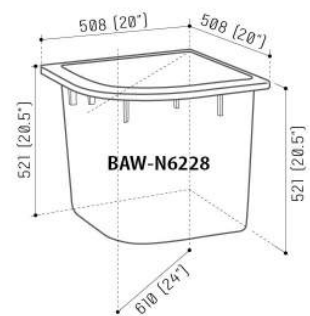
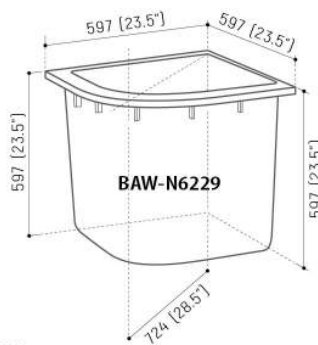


**BAW-N6224**

PLASTIC BATH TUB - SQUARE



SPECIFICATION PRODUCT CODE	PRODUCT DESCRIPTION	CAPACITY
<b>BAW-N6229</b>	Plastic bath tub	50G (136L)
<b>BAW-N6228</b>	Plastic bath tub	30G (85L)
<b>BAW-N6225</b>	Square plastic bath tub	50G (136L)
<b>BAW-N6224</b>	Square plastic bath tub c/w outlet pipe	30G (85L)



All measurements were made in millimeters (mm) unless otherwise indicated.

YOUR SMART CHOICE FOR PRIVILEGE LIVING

BATHROOM ACCESSORIES



SPECIFICATION PRODUCT CODE	PRODUCT DESCRIPTION
<b>BAM-6226</b>	5-piece bathroom mirror set
<b>BAM-6126</b>	6-piece bathroom mirror set
<b>BAMA-6123</b>	Paper holder c/w half cover
<b>BAMA-4105</b>	Plastic toilet roller (length: 130mm )
<b>BAMA-4105A</b>	Plastic toilet roller (length: 152mm )
<b>BAMA-6124</b>	Double towel rail





Commitment to quality



OTHERS INJECTION MOULDED PRODUCTS

OTHERS INJECTION MOULDED PRODUCTS

OTP-5108



OTP-5109



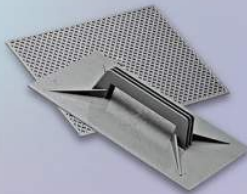
OTP-5111



OTP-5110



OTP-5115



OTP-5103



OTP-5104



OTP-5113



OTP-5114



OTP-5106



OTP-5116



OTP-5117



OTP-5118



SPECIFICATION PRODUCT CODE	PRODUCT DESCRIPTION	SIZE
OTP-5108	Plastic vent cowl	100mm (4")
OTP-5109	Plastic hose joint	13mm-16mm
OTP-5111	Plastic two way hose joint	13mm-16mm
OTP-5110	Plastic connector with / without hose clip	15mm (1/2")
OTP-5115	Plastic trowel	(a) 180mm x 270mm (b) 220mm x 320mm (c) 270mm x 350mm

SPECIFICATION PRODUCT CODE	PRODUCT DESCRIPTION	SIZE
OTP-5103	Plastic ink pot	Big
OTP-5104	Plastic ink pot	Small
OTP-5113	Plastic tapwasher - 100pcs	20mm (3/4")
OTP-5114	Plastic tapwasher - 200pcs	15mm (1/2")
OTP-5106	Plastic letter box	
OTP-5116	Pipe clip	15mm
OTP-5117	Pipe clip	20mm
OTP-5118	Pipe clip	38mm

OTHERS INJECTION MOULDED PRODUCTS

**OTD-5119**



**OTD-5120**



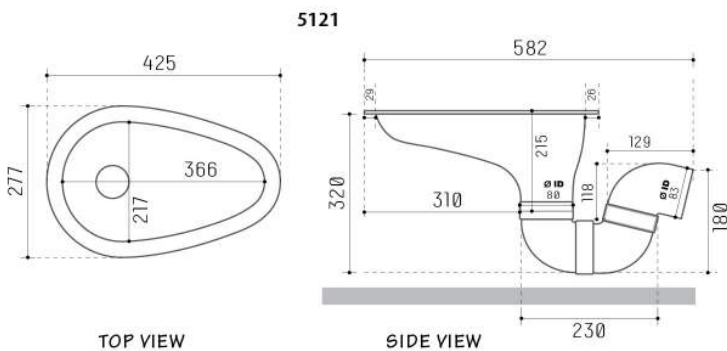
SPECIFICATION PRODUCT CODE	PRODUCT DESCRIPTION	SIZE
<b>OTD-5119</b>	Plastic drain cover	9" x 12"
<b>OTD-5120</b>	Plastic drain cover	9" x 17"
<b>OTP-5121</b>	Techplas - PP latrine bowl c/w 3pcs 3" elbow	

All measurements were made in millimeters (mm) unless otherwise indicated.

**OTP-5121**



APP. WEIGHT: 0.80kg



flexible adjustable position



top view



2 pcs 90° elbow  
1 pc 70° elbow

- New sleek and slim design latrine bowl with smooth and glossy surface.
- For cleaner and hygienic maintenance.
- Suitable for environment that require quick and easy installation on floor or platform.

## OUR PRODUCT COLOUR CHART

COLOUR PRODUCT	BURGUNDY	CHAMPAGNE	GREY	IVORY	C/PEACH	SKY BLUE	SORENTO BLUE	W/PINK	WHITE	BLACK	C/PINK	APPLE GREEN
Toilet Seat & Cover												
TSL-4113-LD	●	●	●	●	●	●	●	●	○		●	
TSM-4101A-MD	●	●	●	●	●	●	●	●	○		●	
TSS-4129-SC	●		●	●	●	●	●	●	○			
Bath Tub												
BAW-N6228 BAW-N6224	●			●		●	●	●	○			●
BAW-N6229 BAW-N6225	●			●		●	●	●	○			●
Hand Shower / Hand Bidet												
BAS-6118	●			●		●		●	○			
BAB-6132				●		●		●	○	●		
BAB-6133 / BAB-6133B				●		●		●	○	●		
BAB-6137				●					○			
Bathroom Accs												
BAM-6126				●		●		●	○			
BAM-6226				●		●		●	○			
BAMA-6121				●		●		●	○			
BAMA-3103				●		●		●	○			
Plastic Flushing Cistern												
PCL-1109-HL / LL PCP-1109-DF / SF	●			●	●	●	●	●	○		●	●
PCP-1101 / PCP-1102	●			●	●	●	●	●	○		●	●
PCB-1111-LD-WH									○			

Material and Design specification subject to change without prior notice. Product's colour reproduction is as near to actual product colour as production methods allow.

### LIABILITY

PROMINENT IMAGE SDN. BHD. (304024-P) is not liable for any indirect, consequential damages or losses and/or any third party claims. All manufacturing defects are governed by our manufacturers warranty.



SIRIM  
CERTIFIED TO MS 795-1:2011  
CERTIFICATION NO. PP-027701



MADE IN MALAYSIA



[www.prominentimage.com.my](http://www.prominentimage.com.my)  
[www.techplas.com.my](http://www.techplas.com.my)