

● LYE AIR VALVES SERIES ●

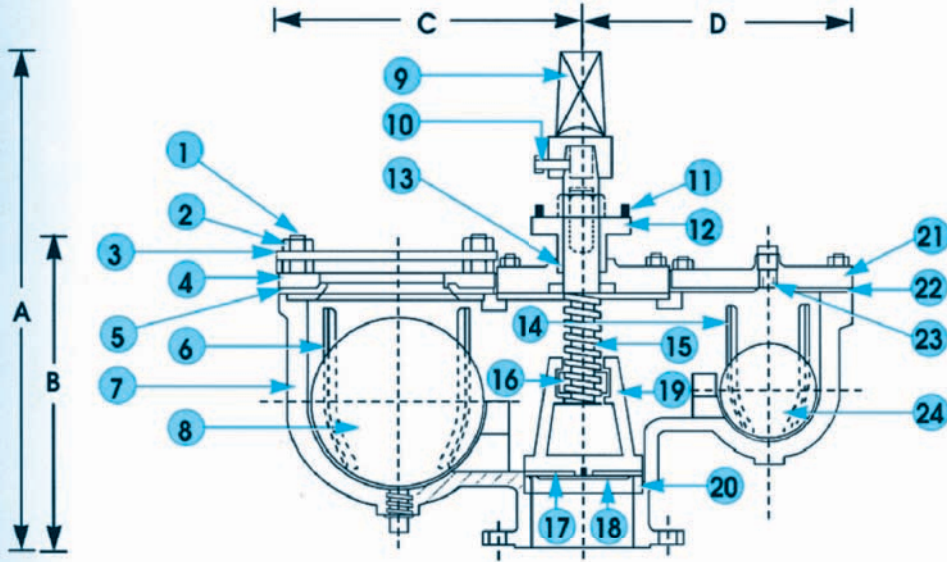
DOUBLE ORIFICE STANDARD

DOUBLE ORIFICE STANDARD & SINGLE SMALL ORIFICE



SINGLE SMALL ORIFICE



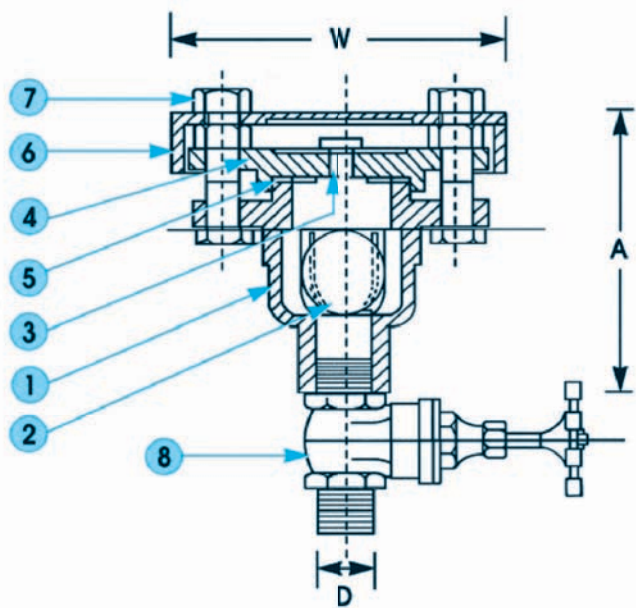


MAXIMUM DIMENSION					
SIZE	A	B	C	D	E*
mm	mm	mm	mm	mm	mm
50	415	240	245	245	200
80	425	245	245	245	200
100	480	325	285	245	245
150	515	415	370	286	250
200	615	475	475	315	310

E* - Width of air valve

Small And Large Orifice Double Air Valve With Integral Isolating Valve. LYE Model No. 455

NO	DESCRIPTION	MATERIAL	BS REF. NO.
1	BOLT & NUT	MILD STEEL	BS 4190 (MS 740)
2	NUT	MILD STEEL	BS 4190 (MS 740)
3	LARGE ORIFICE COVER	DUCTILE IRON (EN-GJS-500-7)	BS EN 1563
4	LARGE ORIFICE PLATE	DUCTILE IRON (EN-GJS-500-7)	BS EN 1563
5	GASKET	EPDM RUBBER	BS EN 681
6	BALL GUIDE	DUCTILE IRON (EN-GJS-500-7)	BS EN 1563
7	BODY	DUCTILE IRON (EN-GJS-500-7)	BS EN 1563
8	LARGE ORIFICE FLOAT (BALL)	ABS PLASTIC	ISO 2580
9	SPINDLE CAP	DUCTILE IRON (EN-GJS-500-7)	BS EN 1563
10	CAP SET SCREW	MILD STEEL	BS 4190 (MS 740)
11	GLAND BOLT	MILD STEEL	BS 4190 (MS 740)
12	GLAND	DUCTILE IRON (EN-GJS-500-7)	BS EN 1563
13	O' RING	EPDM RUBBER	BS EN 681
14	BALL GUIDE	DUCTILE IRON (EN-GJS-500-7)	BS EN 1563
15	SPINDLE	STAINLESS STEEL	BS EN 10088-3
16	SPINDLE NUT	GUNMETAL (CUSN5ZN5PB5-C)	BS EN 1982
17	SEAL	EPDM RUBBER	BS EN 681
18	SEAL NUT	DUCTILE IRON (EN-GJS-500-7)	BS EN 1563
19	VALVE STOPPER	DUCTILE IRON (EN-GJS-500-7)	BS EN 1563
20	VALVE SEAT RING	DUCTILE IRON (EN-GJS-500-7)	BS EN 1563
21	SMALL ORIFICE PLATE	DUCTILE IRON (EN-GJS-500-7)	BS EN 1563
22	GASKET	EPDM RUBBER	BS EN 681
23	AIR RELEASE NIPPLE	BRASS (CZ116)	BS EN 12163
24	SMALL ORIFICE FLOAT BALL	ABS PLASTIC	ISO 2580



MAXIMUM DIMENSION				
SIZE	A	B*	W	D
mm	mm	mm	mm	mm
10	215	105	155	10
12	215	105	155	12
20	215	105	155	20
25	215	105	155	25

B* - Width of air valve

SINGLE SMALL ORIFICE
LYE Model No. 154 w/o gate valve
LYE Model No. 155 c/w gate valve

NO	DESCRIPTION	MATERIAL	BS REF. NO.
1	BODY	DUCTILE IRON (EN-GJS-500-7)	BS EN 1563
2	FLOAT (BALL)	ABS PLASTIC	ISO 2580
3	AIR RELEASE NUT	BRASS (CZ116)	BS EN 12163
4	PLATE	DUCTILE IRON (EN-GJS-500-7)	BS EN 1563
5	GASKET	EPDM RUBBER	BS EN 681
6	COVER	DUCTILE IRON (EN-GJS-500-7)	BS EN 1563
7	BOLT AND NUTS	MILD STEEL	BS 4190 (MS 740)
8	GATE VALVE	BRASS	BS 5154

Please Note: Technical data provided is indicative only and may be subject to change without notice