

**KOSSAN**

# PE Water Tank



## FEATURES & ADVANTAGES

- ☞ Non-toxic & odourless
- ☞ Zero maintenance & highly durable
- ☞ Seamless one-piece construction
- ☞ Stress-free and leak-proof
- ☞ Lightweight & strong
- ☞ Food grade material
- ☞ Made from superior grade Polyethylene resins
- ☞ Capacity range from 50-600 gallons



**SPAN**  
Suruhanjaya Perkhidmatan Air Negara

**MS**  
**SIRIM**  
MS 1225 : PART 1:2007

Cert No : 21376



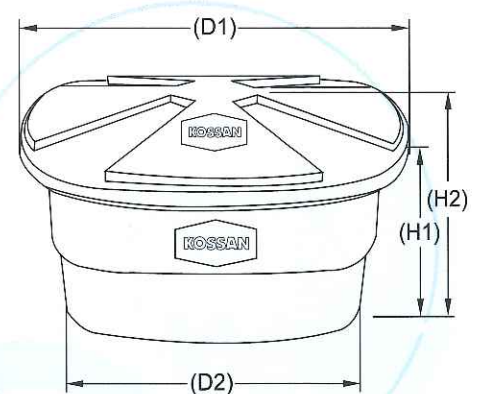
## WARRANTY TERMS & CONDITIONS

1. Kossan PE Water Tank has a warranty period of 10 years for cold water storage for indoor use and 5 years outdoor use.
2. Warranty period is applicable on a prorated basis against manufacturer defects only, manufacturer will not be liable for any consequent losses, defects or damages as a result of improper use or incorrect installation.
3. Kossan FRP's liability is strictly limited to the replacement of water tank only.
4. Kossan PE Water Tank is to be used for storing cold water at a stationary position only.

| ROUND SERIES |                    |         |                                 |    |                 |    |                  |    |                  |    |
|--------------|--------------------|---------|---------------------------------|----|-----------------|----|------------------|----|------------------|----|
| MODEL        | CAPACITY (Gallons) |         | EXTERNAL DIMENSIONS MM (Inches) |    |                 |    |                  |    |                  |    |
|              | Effective          | Nominal | Diameter (Top)                  |    | Diameter (Base) |    | Height w/o cover |    | Height c/w cover |    |
| N50RAB       | 50                 | 80      | 1050                            | 42 | 862             | 34 | 510              | 20 | 590              | 24 |
| N70RAB       | 70                 | 100     | 1150                            | 46 | 958             | 38 | 545              | 22 | 630              | 25 |
| N100RAB      | 100                | 150     | 1270                            | 50 | 1070            | 42 | 625              | 25 | 740              | 30 |
| N150RAB      | 150                | 200     | 1420                            | 56 | 1220            | 48 | 695              | 28 | 820              | 32 |
| N200RAB      | 200                | 250     | 1575                            | 62 | 1295            | 51 | 790              | 31 | 940              | 37 |
| N250RAB      | 250                | 300     | 1550                            | 61 | 1340            | 53 | 900              | 36 | 1040             | 41 |
| N300RAB      | 300                | 400     | 1700                            | 67 | 1445            | 57 | 890              | 35 | 1040             | 41 |
| N400RAB      | 400                | 500     | 1680                            | 66 | 1345            | 53 | 1275             | 51 | 1450             | 57 |
| N500RAB      | 500                | 600     | 1750                            | 69 | 1320            | 52 | 1475             | 58 | 1625             | 64 |
| N50RA        | 50                 | 80      | 1016                            | 40 | 838             | 33 | 508              | 20 | 610              | 24 |
| N70RA        | 70                 | 100     | 1040                            | 41 | 838             | 33 | 635              | 25 | 737              | 29 |
| N100RA       | 100                | 150     | 1143                            | 45 | 889             | 35 | 711              | 28 | 840              | 33 |
| N150RA       | 150                | 200     | 1346                            | 53 | 1092            | 43 | 735              | 29 | 864              | 34 |
| N150RAA      | 150                | 200     | 1500                            | 59 | 1220            | 48 | 610              | 24 | 735              | 29 |
| N200RA       | 200                | 250     | 1448                            | 57 | 1168            | 47 | 787              | 31 | 910              | 36 |
| N200RAA      | 200                | 250     | 1345                            | 53 | 1115            | 44 | 910              | 36 | 1040             | 41 |
| N250RA       | 250                | 300     | 1500                            | 59 | 1220            | 48 | 910              | 36 | 1040             | 41 |
| N250RAA      | 250                | 300     | 1420                            | 56 | 1140            | 45 | 990              | 39 | 1115             | 44 |
| N300RA       | 300                | 400     | 1473                            | 58 | 1168            | 46 | 1220             | 48 | 1345             | 53 |
| N300RAC      | 300                | 400     | 1240                            | 49 | 990             | 39 | 1400             | 55 | 1550             | 61 |
| N330RA       | 330                | 430     | 1600                            | 63 | 1245            | 49 | 1195             | 47 | 1270             | 50 |
| N350RA       | 350                | 450     | 1500                            | 59 | 1220            | 48 | 1270             | 50 | 1420             | 56 |
| N400RA       | 400                | 500     | 1728                            | 68 | 1372            | 55 | 1195             | 47 | 1295             | 51 |
| N500RA       | 500                | 600     | 1676                            | 66 | 1270            | 50 | 1475             | 58 | 1650             | 65 |

| SQUARE SERIES |                    |         |                                 |    |              |    |                  |    |                  |    |
|---------------|--------------------|---------|---------------------------------|----|--------------|----|------------------|----|------------------|----|
| MODEL         | CAPACITY (Gallons) |         | EXTERNAL DIMENSIONS MM (Inches) |    |              |    |                  |    |                  |    |
|               | Effective          | Nominal | L & W (Top)                     |    | L & W (Base) |    | Height w/o cover |    | Height c/w cover |    |
| N50SAB        | 50                 | 80      | 991                             | 39 | 838          | 33 | 508              | 20 | 584              | 23 |
| N70SAB        | 70                 | 100     | 1067                            | 42 | 889          | 35 | 559              | 22 | 660              | 26 |
| N100SAB       | 100                | 150     | 1168                            | 46 | 914          | 36 | 660              | 26 | 762              | 30 |
| N150SAB       | 150                | 200     | 1420                            | 56 | 1220         | 48 | 700              | 28 | 820              | 32 |
| N200SAB       | 200                | 250     | 1524                            | 60 | 1194         | 47 | 711              | 28 | 840              | 33 |
| N250SAB       | 250                | 300     | 1600                            | 63 | 1355         | 53 | 865              | 34 | 1015             | 40 |
| N300SB        | 300                | 400     | 1980                            | 78 | 1676         | 66 | 660              | 26 | 790              | 31 |
| N150SA        | 150                | 200     | 1397                            | 55 | 1118         | 44 | 635              | 26 | 762              | 30 |
| N250SA        | 250                | 300     | 1499                            | 59 | 1170         | 46 | 889              | 35 | 1040             | 41 |
| N300SA        | 300                | 400     | 1651                            | 64 | 1295         | 51 | 965              | 38 | 1118             | 44 |

| RECTANGULAR SERIES |                    |         |                                 |              |                  |                  |
|--------------------|--------------------|---------|---------------------------------|--------------|------------------|------------------|
| MODEL              | CAPACITY (Gallons) |         | EXTERNAL DIMENSIONS MM (Inches) |              |                  |                  |
|                    | Effective          | Nominal | L & W (Top)                     | L & W (Base) | Height w/o cover | Height c/w cover |
| KT-3               | 15                 | 30      | 29 x 21                         | 24 x 16      | 15               | 16               |
| KS-50              | 25                 | 50      | 37 x 28                         | 31 x 22      | 13               | 14               |
| KS-80              | 50                 | 80      | 48 x 32                         | 42 x 26      | 15               | 16               |
| KS-100             | 60                 | 100     | 51 x 36                         | 45 x 30      | 15               | 16               |
| KS-150             | 70                 | 150     | 56 x 45                         | 49 x 38      | 18               | 20               |
| KSL-150            | 70                 | 150     | 68 x 41                         | 62 x 35      | 16               | 17               |
| KS-170             | 70                 | 150     | 66 x 55                         | 61 x 49      | 15               | 16               |
| KSB-200            | 100                | 200     | 64 x 57                         | 57 x 51      | 17               | 19               |
| KSS-200            | 100                | 200     | 61 x 60                         | 55 x 53      | 17               | 19               |
| KSL-200            | 100                | 220     | 75 x 47                         | 68 x 41      | 18               | 20               |
| KS-250             | 150                | 250     | 64 x 52                         | 57 x 44      | 22               | 24               |
| KS-300             | 200                | 300     | 66 x 49                         | 55 x 37      | 31               | 32               |
| KSL-300            | 200                | 300     | 80 x 50                         | 72 x 43      | 21               | 23               |
| KS-350             | 200                | 350     | 72 x 62                         | 63 x 53      | 22               | 23               |
| KS-400             | 200                | 350     | 63 x 51                         | 53 x 40      | 30               | 34               |
| KSS-400            | 200                | 350     | 79 x 60                         | 70 x 51      | 26               | 28               |
| KS-500             | 300                | 500     | 79 x 48                         | 71 x 39      | 40               | 43               |
| KSA-150MH          | 70                 | 150     | 69 x 31                         | 62 x 24      | 18               | 20               |
| KSA-200MH          | 100                | 200     | 67 x 37                         | 61 x 31      | 19               | 21               |
| KS-300MH           | 200                | 300     | 80 x 50                         | 77 x 46      | 21               | 23               |
| KSA-400MH          | 200                | 350     | 90 x 83                         | 84 x 77      | 14               | 16               |



Remarks :-

1. All dimensions are rounded off to the nearest 10mm or 0.5 inch.
2. Kossan FRP Ind. (M) Sdn Bhd reserve the right to alter the specification without prior notice.
3. All capacity are rounded off to the nearest gallons.
4. Standard tank's sizes, colour is fixed but other dimension and color are available upon request.

Sole Distributor :