

# gKENT

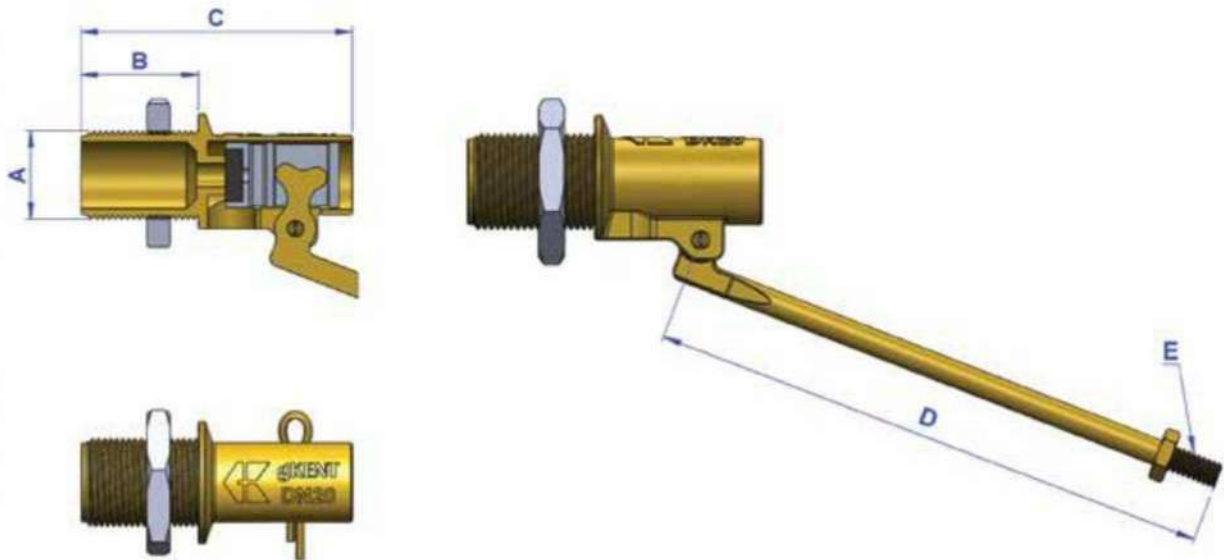
## Ball Float Valve Light Duty

### Technical Specifications:

Specification	DN15 (½ inch)	DN20 (¾ inch)	DN25 (1 inch)
Nominal Pressure		PN16	
Working Temperature		≤ 50°C	
Application Medium		Potable Water	
Material		C 3771	

### Dimensions:

	DN15	DN20	DN25
A	G 1/2 B	G 3/4 B	G 1 B
B	30	35	36.3
C	71	81.3	92.3
D	206	206	410
E	5/16 x 18 TPI	5/16 x 18 TPI	5/12 x 18 TPI



\* All dimensions are in millimetres (mm) unless otherwise stated



We take pride in being **Your Trusted Engineering Partner.**  
Find out more about us at [www.georgekent.net](http://www.georgekent.net)

While George Kent strives to make the content of its marketing materials as timely and accurate as possible, George Kent makes no claims, promises, or guarantees about the accuracy, completeness, or adequacy of and expressly disclaims liability for errors and omissions in such materials. No warranty of any kind, implied, expressed, or statutory, including but not limited to the warranties of non-infringement of third-party rights, titles, merchantability, and fitness for a particular purpose, is given with respect to the content of these marketing materials.  
© Copyright 2018 George Kent. All rights reserved.