

Technical Specification:

Specification

DN15 (1/2 inch)

DN20 (3/4 inch)

Nominal Pressure

PN16

Working Temperature, °C

≤ 50

Application Medium

Potable Water

Material

C 3771 (Nickel Plated)

Dimension

A

60.5

70

B

Ø 14.5

Ø 19

C

G 1/2

G 3/4

D

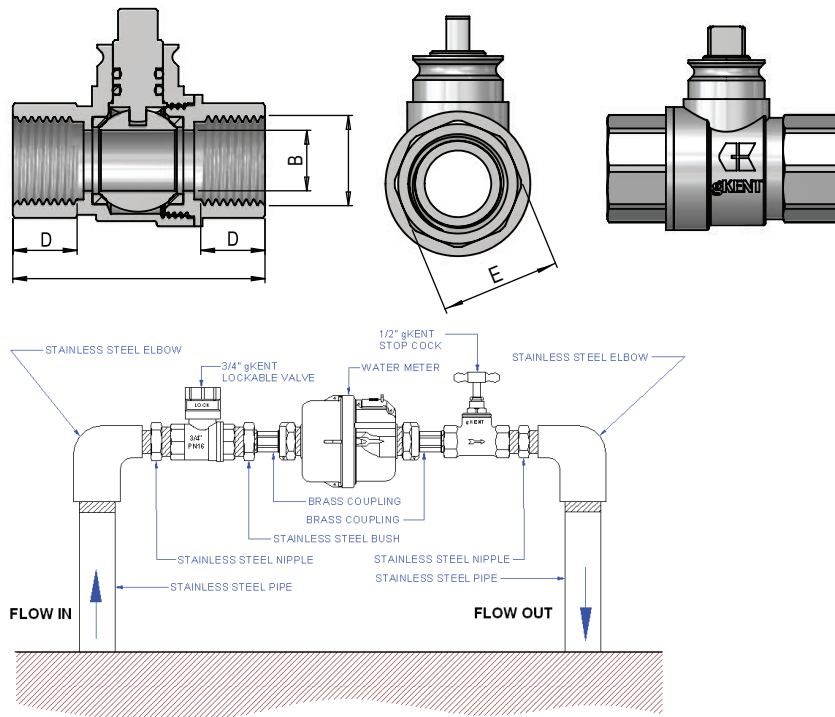
15

16

E

26

32



* All dimensions are in "mm" unless otherwise stated