



FLEXIBLE

UNIVERSAL COUPLING & FLANGE ADAPTOR

WIDE-TOLERANCE SOLUTION
FOR RIGID MATERIAL PIPES



Universal Coupling



Universal Flange Adaptor

| | Universal Coupling | Universal Flange Adaptor |
|------------------|--|--|
| Brief | <ul style="list-style-type: none"> ▶ For Connecting All Kinds Of Rigid Material Pipes (Asbestos Cement, Mild Steel, Ductile Iron, Cast Iron, UPVC, PVCM, PVC-O, ABS & Etc.) ▶ Working Pressure PN10/PN16 ▶ Suitable For Potable Water, Neutral Liquids And Sewage ▶ Fusion Bonded Epoxy ▶ Seal : Wedge Gasket with Ribs, EPDM | |
| Standards | <ul style="list-style-type: none"> ▶ Test: BS EN 12266-1 | |
| | | <ul style="list-style-type: none"> ▶ Flange: BS EN 1092-2 |
| Features | <ul style="list-style-type: none"> ▶ Products Range Available DN80 -DN600 ▶ Wide OD Tolerance Range ▶ Angular Deflection of Max. $\pm 6^\circ$ ▶ For Quick & Emergency Pipe Repairing & Maintenance ▶ Gasket With Circumferential Ribs Makes Sealing On Different Type of Water Leakage Possible (Scored, Corroded, Pitted Pipes & Etc.) ▶ Installation Time Saving By Pipe Preassembled With No Need For Pipe Preparation. | |

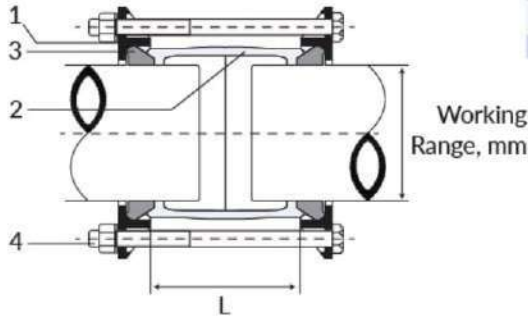
Universal Coupling & Flange Adaptor

Technical Table

Universal Coupling

Assembly Chart

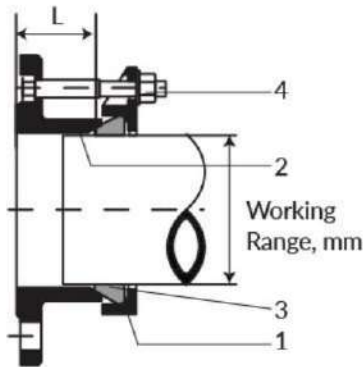
| No. | DN (mm) | Component | Material | Standard Ref. |
|-----|---------|--------------|-----------------------|---------------|
| 1 | 80-600 | Gland Flange | Ductile Iron | BS EN 1563 |
| 2 | 80-300 | Body | Ductile Iron | BS EN 1563 |
| | 400-600 | | Carbon Steel | EN 10025 |
| 3 | 80-600 | Gasket | EPDM | BS EN 681 |
| 4 | 80-600 | Bolt & Nut | Hot Dipped Galvanized | BS EN 4190 |



Specifications & Parameters Chart

| DN (mm) | Working Range (mm) | | L (mm) | Bolts |
|---------|--------------------|-----|--------|--------|
| 80 | 88 | 103 | 100 | M12x4 |
| 100 | 108 | 128 | 100 | M12x4 |
| 150 | 159 | 182 | 100 | M12x4 |
| 200 | 218 | 235 | 100 | M12x4 |
| 250 | 271 | 289 | 100 | M12x6 |
| 300 | 322 | 350 | 100 | M12x6 |
| 400 | 400 | 429 | 150 | M16x8 |
| 500 | 500 | 532 | 150 | M16x10 |
| 600 | 600 | 630 | 150 | M16x10 |

Universal Flange Adaptor



Assembly Chart

| No. | Component | Material | Standard Ref. |
|-----|--------------|-----------------------|---------------|
| 1 | Gland Flange | Ductile Iron | BS EN 1563 |
| 2 | Body | Ductile Iron | BS EN 1563 |
| 3 | Gasket | EPDM | BS EN 681 |
| 4 | Bolt & Nut | Hot Dipped Galvanized | BS EN 4190 |

Specifications & Parameters Chart

| DN (mm) | Working Range (mm) | | L (mm) | Bolts | Flange Standard |
|---------|--------------------|-----|--------|--------|---------------------------|
| 80 | 88 | 103 | 75 | M12x4 | PN10+PN16+BS10/E+ANSI/150 |
| 100 | 108 | 128 | 75 | M12x4 | PN10+PN16+BS10/E+ANSI/150 |
| 150 | 159 | 182 | 75 | M12x4 | PN10+PN16+BS10/E+ANSI/150 |
| 200 | 218 | 235 | 75 | M12x4 | PN10+PN16+BS10/E+ANSI/150 |
| 250 | 271 | 289 | 100 | M12x6 | PN10+PN16+BS10/E+ANSI/150 |
| 300 | 322 | 350 | 100 | M12x6 | PN10+PN16+BS10/E+ANSI/150 |
| 400 | 400 | 429 | 120 | M16x8 | PN10+PN16 |
| 500 | 500 | 532 | 123 | M16x10 | PN10+PN16 |
| 600 | 600 | 635 | 135 | M16x10 | PN10+PN16 |

Note: Technical data provided in this brochure is indicative only and may be subject to change without prior notice