

DETACHABLE

DEDICATED COUPLING DETACHABLE JOINT (DJ) & VARIABLE ADAPTOR (VA) STRAIGHT & STEPPED PIPE JOINTING SOLUTION



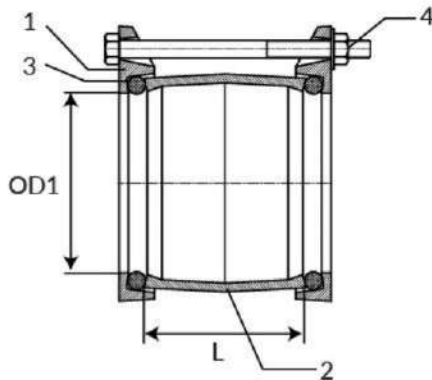
	Detachable Joint (DJ), Straight Coupling	Variable Adaptor (VA), Stepped Coupling
Brief	<ul style="list-style-type: none"> ▶ Dedicated Straight & Stepped Couplings For Joining Plain Ended Pipes ▶ Standard Long Collar Product Design Is Ideal For Pipe Laying, Maintenance & Works Repair For All Installation ▶ Maximum Temperature -10°C To 70°C ▶ Working Pressure PN 10/16 ▶ Suitable For Potable Water, Neutral Liquids And Sewage ▶ Fusion Bonded Epoxy ▶ Seal : EPDM 	
Standards	<ul style="list-style-type: none"> ▶ Design : SPESIFIKASI JKR 20200-0045-99 ▶ Test : EN 12266-1 ▶ TYPE A : For AC (MS 712, AS 1711) & MS (JKR) Pipes ▶ TYPE B : For UPVC (MS 628, BS 6920) & MS (BS 534, AS 1579, SPAN TS 21827) Pipes ▶ TYPE D : For TYPE A To TYPE B Pipe Materials 	
	▶ Pipe Materials with Similar OD	▶ Pipe Material with Different OD
Features	<ul style="list-style-type: none"> ▶ Range of DJ & VA Joints Sizes : DN80 to DN300 ▶ Quick, Reliable & Cost-Effective Jointing Solution For Rigid Pipe Materials ▶ Leak Free Sealing By O-Ring Type Rubber Gasket 	

Detachable Joint (DJ) & Variable Adaptor (VA)

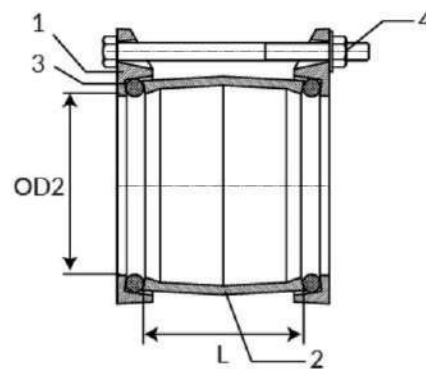
Technical Table

Detachable Joint (DJ)

Type A

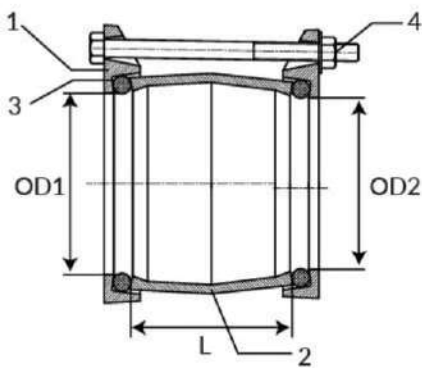


Type B



Variable Adaptor (VA)

Type D



Assembly Chart

No.	Component	Material	Standard Ref.
1	Gland Flange	Ductile Iron	BS EN 1563
2	Sleeve / Collar	Ductile Iron	BS EN 1563
3	Gasket	EPDM	BS EN 681
4	Bolt & Nut	Hot Dipped Galvanized Steel	BS EN 4190

Specifications & Parameters Chart For DJ Joints, Type A & B & VA Joints, Type D

DN (mm)	OD1 (mm)	OD2 (mm)	L (mm)	Bolts
80	95.6	88.9	100	M12x4
100	121.9	114.3	110	M12x4
150	177.3	168.3	130	M12x4
200	232.2	219.1	150	M12x4
250	286.0	273.0	165	M12x4
300	345.4	323.9	170	M12x5

Joining Assembly

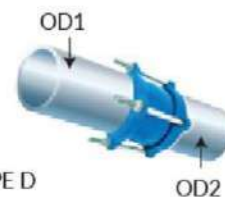
Detachable Joint (DJ)
Straight Coupling

OD1 to OD1 = TYPE A
OD2 to OD2 = TYPE B



Variable Adaptor (VA)
Stepped Coupling

OD1 to OD 2 = TYPE D



Note: Technical data provided in this brochure is indicative only and may be subject to change without prior notice