

gKENT

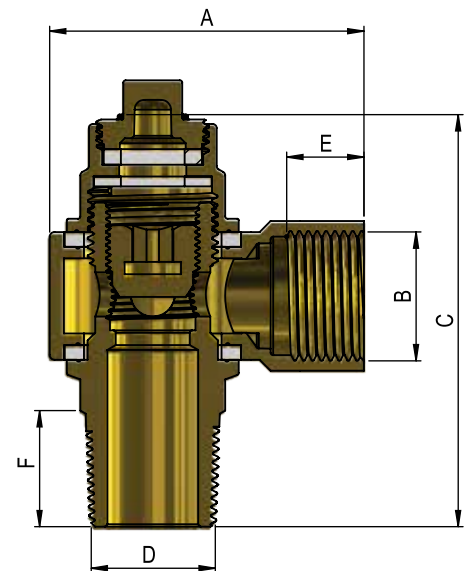
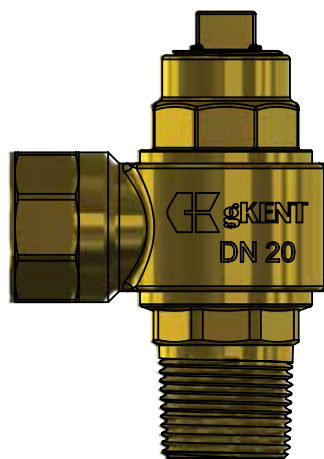
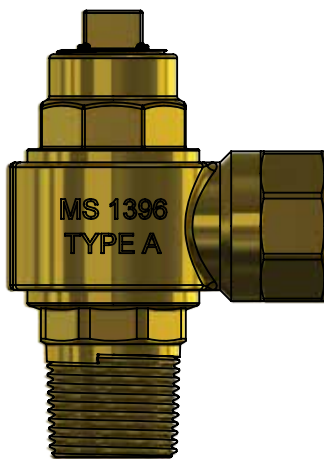
Ferrule

Technical Specifications:

Specification	DN20 (¾ inch)	DN25 (1 inch)
Nominal Pressure	PN16	
Working Temperature	≤ 50°C	
Application Medium	Potable Water	
Material	C 3771	

Dimensions:

	DN20 (¾ inch)	DN25 (1 inch)
A	63min	74min
B	G ¾	G 1
C	82min	90min
D	R ¾	R 1
E	15min	15min
F	21min	23min



* All dimensions are in millimetres (mm) unless otherwise stated



We take pride in being **Your Trusted Engineering Partner.**
Find out more about us at www.georgekent.net