

Accessories

Wall Mounted Emergency Eyewash

Eyewash stations are designed to flush the eye and face area only. Emergency eye wash is used to drench or flush the eyes with water when dust, irritants, or chemicals enter the eye. Wall mounted Eyewash station easier to install in locations where workers are handling injurious corrosive or caustic chemicals. It must be accessible within 10-seconds of hazard, approximately 55-feet.



Wall Mounted ABS Eyewash

VAL-EYE-WA

FEATURES

- Pipe & Fittings : Stainless steel 201 with chemical resistant yellow color coating
- Eyewash Bowl : 250mm - ABS
- Eye spray head: Chemical resistant PP, built-in with stainless steel filter for impurity clearance.
- Eye Spray with anti dust cap & flow regulator
- Hand push board : ABS
- Ball Valve: 1/2" eye wash ball valve with push board.
- Water Inlet : G 1/2"
- Waste Outlet : RP 1"
- Water pressure : 0.2Mpa - 0.6Mpa

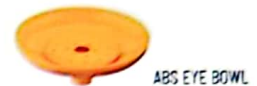


Wall Mounted Stainless Steel Eyewash

VAL-EYE-WS

FEATURES

- Pipe & Fittings : Stainless steel SS201 with chemical resistant yellow colour coating
- Eyewash Bowl : 300mm - stainless steel SS304
- Eye spray head: Chemical resistant PP, built-in with stainless steel filter for impurity clearance.
- Eye Spray with anti dust cap & flow regulator
- Hand push board : ABS
- Ball Valve: 1/2" eye wash ball valve with push board.
- Water Inlet : G 1/2"
- Waste Outlet : RP 1"
- Water pressure : 0.2Mpa - 0.6Mpa



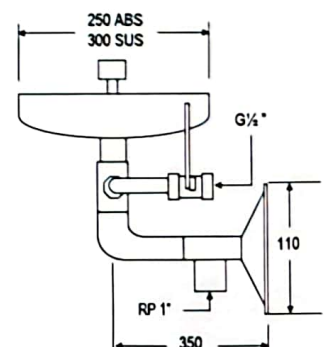
ABS EYE BOWL

STAINLESS STEEL
EYE BOWL

HAND PUSH BOARD

Adjustable screw
for water flow

EYEWASH SPRAY HEAD

DIMENSION
mm

2



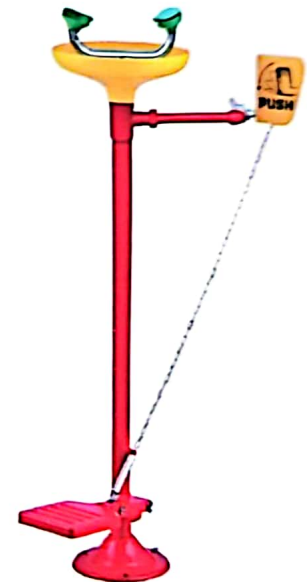
Floor Mounted Emergency Eyewash

Emergency eye wash is used to drench or flush the eyes with water when dust, irritants, or chemicals enter the eye. Eyewash stations are designed to flush the eye and face area only. Eyewash station required in locations where workers are handling injurious corrosive or caustic chemicals. It must be accessible within 10-seconds of hazard, approximately 55-feet.



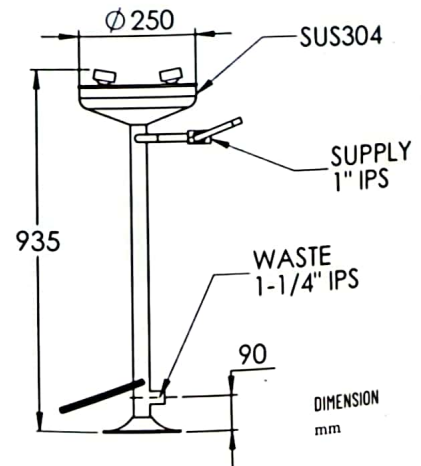
Floor Mounted ABS Emergency Eyewash VAL-EYE-A

- Pipe & Fittings : 42mm Stainless steel SS201 with chemical resistant red color coating
- Eyewash Bowl : 250mm , ABS
- Eye spray head: Chemical resistant PP, built-in with stainless steel filter for impurity clearance.
- Adjustable water flow eye sprayer
- Eye Spray with anti dust cap
- Foot Pedal : Stainless steel pedal with epoxy powder coated.
- Hand push board : ABS
- Ball Valve: RP 1/2" eye wash ball valve with push board.
- Water Inlet : RP 1/2"
- Water Outlet : RP1"
- Water pressure : 0.2Mpa - 0.6Mpa



FEATURES

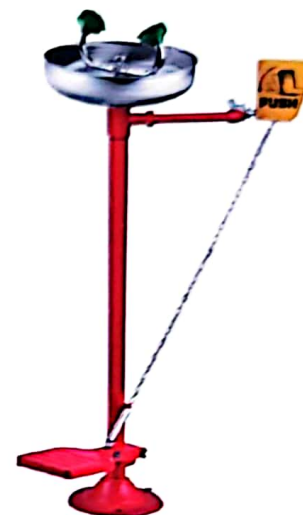
Pipe Material	42mm Stainless steel SS201
Body Coating	Chemical resistant red color coating
Ball Valve	1/2" BSP eye wash ball valve with push board
Eye Bowl	250mm Yellow ABS
Eye Sprayer	Anti dust cap PP sprayer head with filter and water flow regulator
Hand Push Board	ABS
Foot Pedal	Stainless steel with epoxy powder coated
Water Inlet	RP 1/2"
Water Outlet	RP 1"



Floor Mounted Stainless steel Emergency Eyewash

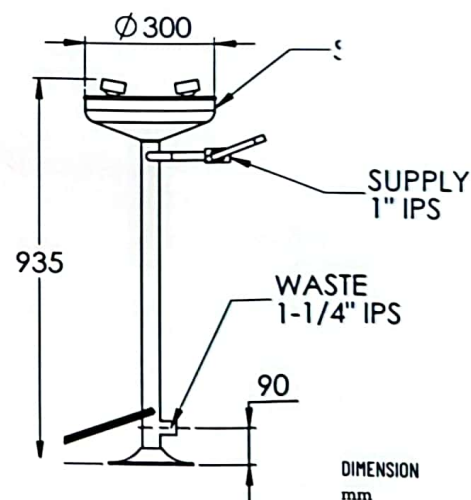
VAL-EYE-S

- Pipe & Fittings : 42mm Stainless steel SS201 with chemical resistant red color coating
- Eyewash Bowl : 300mm - SS304 stainless steel
- Eye spray head: Chemical resistant PP, built-in with stainless steel filter for impurity clearance.
- Eye Spray with anti dust cap & flow regulator
- Foot Pedal : Stainless steel pedal with epoxy powder coated.
- Hand push board : ABS
- Ball Valve: RP 1/2" eye wash ball valve with push board.
- Water Inlet : RP 1/2"
- Water Outlet : RP1"
- Water pressure : 0.2Mpa - 0.6Mpa



FEATURES

Pipe Material	42mm Stainless steel SS201
Body Coating	Chemical resistant red color coating
Ball Valve	1/2" BSP eye wash ball valve with push board
Eye Bowl	300mm stainless steel SS304
Eye Sprayer	Anti dust cap PP sprayer head with filter and water flow regulator
Hand Push Board	ABS
Foot Pedal	Stainless steel with epoxy powder coated
Water Inlet	RP 1/2"
Water Outlet	RP1"



Accessories



ABS EYE BOWL



HAND PUSH BOARD



STAINLESS STEEL
FOOT PEDAL



Adjustable screw
for water flow



EYEWASH SPRAY HEAD

STAINLESS
STEEL EYE BOWL



4



Floor Mounted Emergency Eyewash & Shower

The worker may risk part or full body contact with a chemical. In these areas, an emergency shower may be more appropriate and eyewash stations are designed to flush the eye and face area only. Eyewash & shower station required in locations where workers are handling injurious corrosive or caustic chemicals. It must be accessible within 10-seconds of hazard, approximately 55-feet.



Floor Mounted ABS Combination Eyewash & Shower

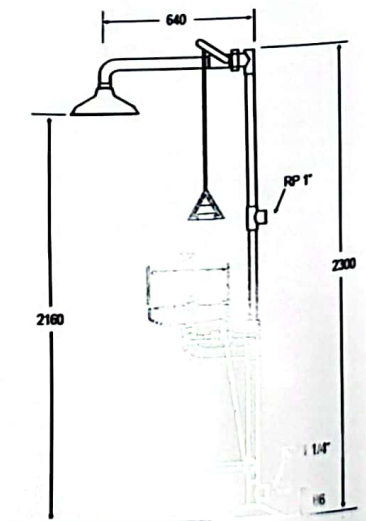
VAL-SE-S201-V2-AA

FEATURES

- Pipe & Fittings : 42mm Stainless steel SS304 with chemical resistant red color coating
- Shower Bowl : 250mm - ABS
- Eyewash Bowl : 250mm - ABS
- Eye spray head: Chemical resistant PP, built-in with stainless steel filter for impurity clearance.
- Adjustable water flow eye sprayer
- Foot Pedal : Stainless steel pedal with epoxy powder coated.
- Hand push board : ABS
- Eyewash Ball Valve: 1/2" ball valve with push board.
- Shower Ball Valve: 1" ball valve with pull bar
- Water Inlet : RP 1"
- Waste Outlet : RP 1-1/4"
- Water pressure : 0.2Mpa – 0.6Mpa
- Complied with ANSI Z358.1 standard & SIRIM TESTED



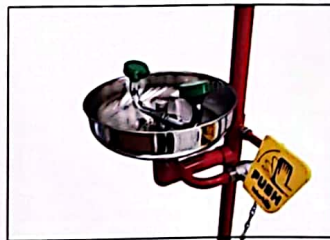
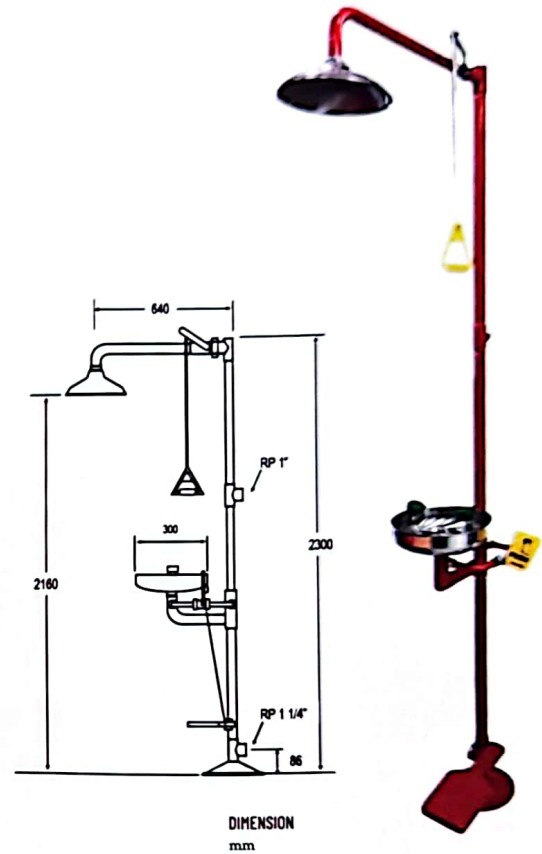
Pipe Material	42mm Stainless steel SS304
Body Coating	Chemical resistant red color coating
Shower Bowl	250mm ABS
Eye Bowl	250mm ABS
Eyewash Ball Valve	1/2" BSP eye wash ball valve with push board
Shower Head Ball Valve	Stainless steel 1" BSP shower ball valve with pull rod
Eye Sprayer	Anti dust cap PP sprayer head with filter and water flow regulator
Hand Push Board	ABS
Foot Pedal	Stainless steel with epoxy powder coated
Water Inlet	RP 1"
Water Outlet	RP 1 1/4"
Dimension (W * H)	640 * 2300mm



Floor Mounted Stainless Steel Combination Eyewash & Shower

VAL-SE-S201-V2-SS

- Pipe & Fittings : 42mm Stainless steel SS304 with chemical resistant red color coating
- Shower Head: 250mm - SS304 stainless steel
- Eyewash Bowl : 300mm - SS304 stainless steel
- Eye spray head: Chemical resistant PP, built-in with stainless steel filter for impurity clearance.
- Adjustable water flow eye sprayer
- Foot Pedal : Stainless steel pedal with epoxy powder coated.
- Hand push board : ABS
- Eyewash Ball Valve: 1/2" ball valve with push board.
- Shower Ball Valve: 1" ball valve with pull bar
- Water Inlet : RP 1"
- Waste Outlet : RP 1-1/4"
- Water pressure : 0.2Mpa – 0.6Mpa
- Complied with ANSI Z358.1 standard & SIRIM TESTED



DESCRIPTION :

Pipe Material	42mm Stainless steel SS304
Body Coating	Chemical resistant red color coating
Shower Head	250mm stainless steel SS304
Eye Bowl	300mm stainless steel SS304
Eyewash Ball Valve	1/2" BSP eye wash ball valve with push board
Shower Head Ball Valve	Stainless steel 1" BSP shower ball valve with pull rod
Eye Sprayer	Anti dust cap PP sprayer head with filter and water flow regulator
Hand Push Board	ABS
Foot Pedal	Stainless steel with epoxy powder coated
Water Inlet	RP 1"
Water Outlet	RP 1 1/4"
Dimension (W * H)	640 * 2300mm

Accessories

- ABS EYE BOWL
- ABS SHOWER BOWL
- STAINLESS STEEL EYE BOWL
- STAINLESS STEEL SHOWER BOWL
- Adjustable screw for water flow
- EYEWASH SPRAY HEAD
- PULL BAR
- SUPPORT WALL BRACKET
- HAND PUSH BOARD

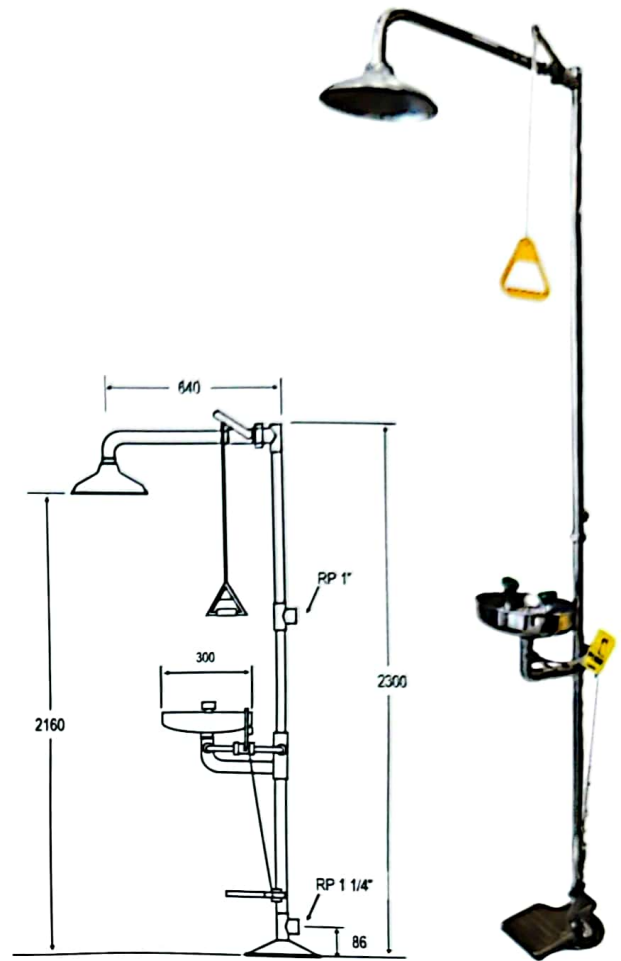
6

ValueTech

Floor Mounted SS304 Stainless Steel Emergency Eyewash & Shower

VAL-SE-S201-V2-FS

- Pipe & Fittings : 42mm stainless steel SS304
- Shower Head : 250mm - SS304 stainless steel
- Eyewash Bowl : 300mm - SS304 stainless steel
- Eye spray head: Chemical resistant PP, built-in with stainless steel filter for impurity clearance
- Adjustable water flow eye sprayer
- Foot Pedal : Stainless steel pedal
- Eyewash Ball Valve: 1/2" ball valve with push board.
- Shower Ball Valve: 1" ball valve with pull bar
- Water Inlet : RP 1"
- Waste Outlet : RP 1-1/4"
- Water pressure : 0.2Mpa - 0.6Mpa
- Complied with ANSI Z358.1 standard & SIRIM TESTED



DIMENSION
mm

FEATURES

Pipe Material	42mm Stainless steel SS304
Shower Head	250mm stainless steel SS304
Eye Bowl	300mm stainless steel SS304
Eyewash Ball Valve	1/2" BSP eye wash ball valve with push board
Shower Head Ball Valve	Stainless steel 1" BSP shower ball valve with pull rod
Eye Sprayer	Anti dust cap PP sprayer head with filter and water flow regulator
Hand Push Board	ABS
Foot Pedal	Stainless steel with epoxy powder coated
Water Inlet	RP 1"
Water Outlet	RP 1 1/4"
Dimension (W * H)	640 * 2300mm



OPTION : WITH CURTAIN

Floor Mounted SS316 Stainless Steel Emergency Eyewash & Shower

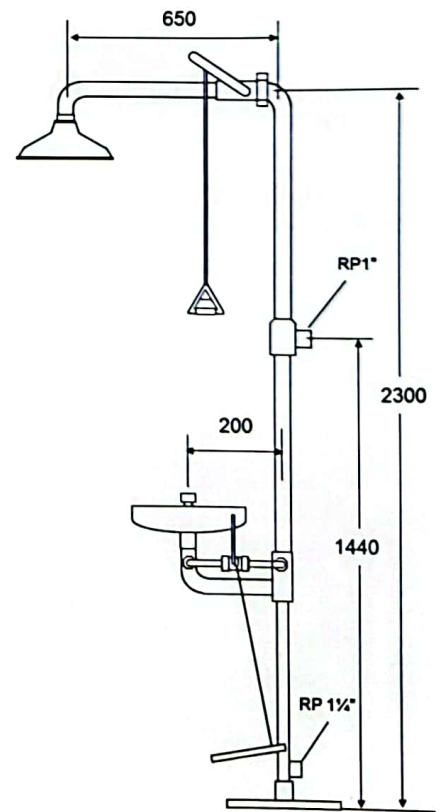
VAL-SE-S316

- Pipe & Fittings : 42mm stainless steel SS316
- Shower Head : 250mm - SS316 stainless steel
- Eyewash Bowl : 300mm - SS316 stainless steel
- Eye spray head: Chemical resistant PP, built-in with stainless steel filter for impurity clearance
- Adjustable water flow eye sprayer
- Foot Pedal : Stainless steel pedal
- Eyewash Ball Valve: 1/2" ball valve with push board.
- Shower Ball Valve: 1" ball valve with pull bar
- Water Inlet : RP 1"
- Waste Outlet : RP 1-1/4"
- Water pressure : 0.2Mpa – 0.6Mpa
- Complied with ANSI Z358.1 standard



FEATURES

Pipe Material	42mm Stainless steel SS316
Shower Head	250mm stainless steel SS316
Eye Bowl	300mm stainless steel SS316
Eyewash Ball Valve	1/2" BSP eye wash ball valve with push board
Shower Head Ball Valve	Stainless steel 1" BSP shower ball valve with pull rod
Eye Sprayer	Anti dust cap PP sprayer head with filter and water flow regulator
Hand Push Board	ABS
Foot Pedal	Stainless steel with epoxy powder coated
Water Inlet	RP 1"
Water Outlet	RP 1 1/4"
Dimension (W * H)	640 * 2300mm

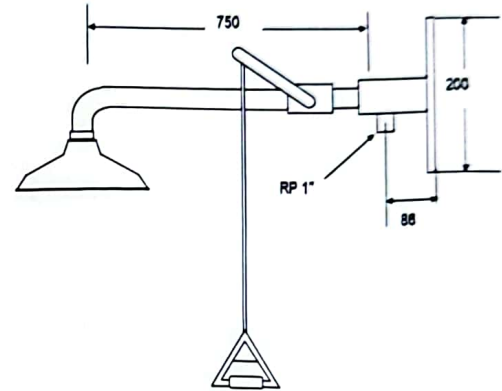


DIMENSION
mm

Wall Mounted Emergency Stainless Steel Shower

VAL-SH-S

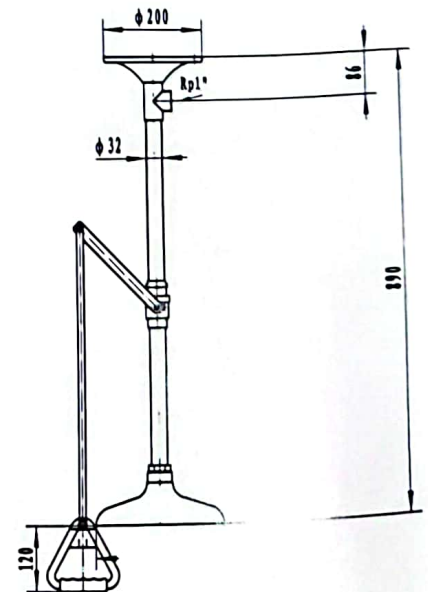
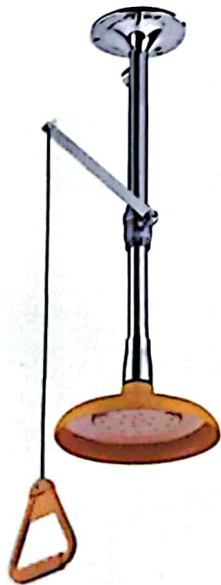
- Pipe & Fittings : 32mm stainless steel SS304
- Shower Head : ABS or SS304 stainless steel
- 1" Ball Valve with pull bar
- Water Inlet : RP 1"
- Water pressure : 0.2Mpa - 0.6Mpa



Ceiling Mounted Emergency Shower

VAL-SHC

- Pipe & Fittings : 32mm stainless steel SS304
- Shower Head : ABS or SS304 stainless steel
- 1" Ball Valve with pull bar
- Water Inlet : RP 1"
- Water pressure : 0.2Mpa - 0.6Mpa



Portable Emergency Eyewash Station

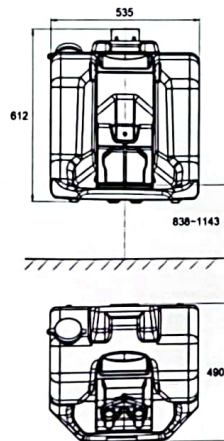
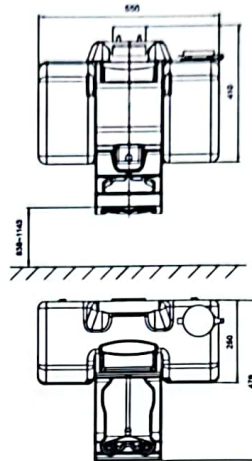
Portable eyewash stations are filled with clean tap water. This product can be used in field of Petroleum, Chemical, Laboratory, Medical Treatment etc. and flushing the chemistry liquid splattered eye and face rapidly, so reduce the level of injury to the minimum. Located near happen accident place, see easily and usage conveniently. Can install on wall or use with go-cart

9

VAL-PE8

8 Gallons / 30 Liters

- Material: High density polyester, pro-environment and safety
- Capacity: The maximum reserve is 30L(8 gallon), workable is 20L available, ensure flushing for 15 minutes
- Wide water injection hole with dust cover
- Color: green
- Water flow: Due to change diameter on the water hole, so more bonhomie and rich , water yield is not lower than 1.5L/minute



VAL-PE16

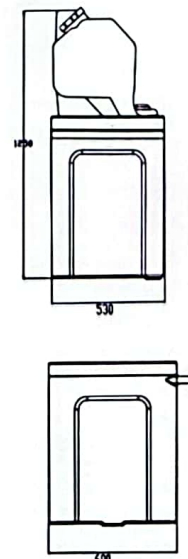
16 Gallons / 60 Liters

- Material : High density polyester, pro-environment and safety
- Capacity: The maximum reserve is 60L(16 gallon), workable is 40L available, ensure flushing for 15 minute
- Wide water injection hole with dust cover
- Color: green
- Water flow: Due to change diameter on the water hole, so more bonhomie and enrich , water yield is not lower than 1.5L/minute

VAL-PE16MC

16 Gallons / 60 Liters

- Material : High density polyester, pro-environment and safety
- Capacity: The maximum reserve is 60L(16 gallon), workable is 40L available, ensure flushing for 15 minute
- Wide water injection hole with dust cover
- Color: green
- Water flow: Due to change diameter on the water hole, so more bonhomie and enrich , water yield is not lower than 1.5L/minute
- Waste Cart size: 600L*530W*740H mm
- Provides transportation and waste collection
- Drain valve at the bottom of the cart
- 4 castor wheels can be moved according to the site



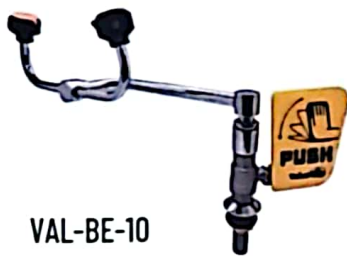
10

Laboratory Bench Mounted Eyewash Units & Parts



Bench Mounted Eyewash Station

Bench mounted eyewash station can be mounted to the countertop or attached to a laboratory sink. The eyewash station has twin spray heads so both eyes can be flushed with a soft flow of water at the same time. The spray heads have filters to protect users from particles in the water. Can be easily activated by a ABS push board.



VAL-BE-10

Bench Mounted Eyewash Sprayer

- Body Material: Brass with high gloss galvanization powder coating, resistant to chemicals, UV and temperature
- Sprayer head with dust cover
- Switch: Trigger on and off
- None-return valve, auto shut off
- Hose: Length 1.5m PVC with stainless steel mesh
- Max. Working pressure: 7.0 Bar



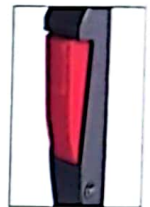
VAL-PE-N01



VAL-PE-N2



Hose and fittings



Trigger on and off

Laboratory Faucets & Parts

ONE WAY FAUCET

- Desktop single PP nozzles faucet
- Body : Brass with gloss epoxy coating
- Handle & nozzle material: PP
- Corrosive & heat resistant, anti-UV
- Water pressure : 0.8-1.0Mpa
- Lightweight and durable
- Connection : G1/2"



V-WFR-1

V-WF1

V-WFL-1

SINGLE WAY HOT/COLD MIXING FAUCET

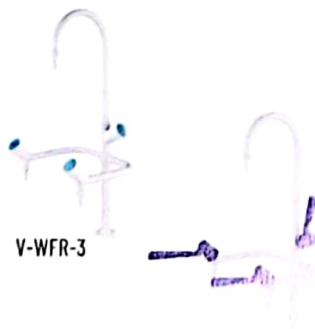
- Desktop single PP nozzles faucet
- Body : Brass with gloss epoxy coating
- Handle & nozzle material: PP
- Corrosive & heat resistant, anti-UV
- Lightweight and durable
- Connection : M32 X 1.5



V-MX-WF

THREE WAYS FAUCET

- Desktop triple PP nozzles faucet
- Body : Brass with gloss epoxy coating
- Handle & nozzle material: PP
- Corrosive & heat resistant, anti-UV
- Water pressure : 0.8-1.0Mpa
- Lightweight and durable
- Connection: G1/2"



V-WFR-3



PEGBOARD

- Material: PP
- Type: single Faced
- Holders : 27 & 52
- The board for water drainage
- Material: PP
- Type: bench mounted
- Material: PP



V-PEG27 / V-PEG52

Deltech Engineering Sdn Bhd
Tel/ Whatsapp: 012-7118670