

## OPTIMIX

### 2A 90-280

### 2A 90-380



#### Application

Submersible motor  
 Dry matter content up to 12 %  
 Substrate temperature up to 55°C  
 pH-value 5.5 - 8.2 / optional ss316 pH-value 4.5-8.2

#### Motor

Power: 9.0 kW  
 400 V, 50 Hz, special tension on request  
 Protection class IP 68, up to 10 m submergence  
 PTC thermistors in as overheat protection  
 Own oil circulation, turbine oil

#### Gear

Robust planetary gear,  
 Reduction ratio  $i = 3.83 / 5.25$   
 Own oil circulation, Longlife gear oil  
 Change oil after 10,000 operating hours

#### Bearing

Bearing flange with mechanical seal of SiC/SiC  
 2 tapered roller bearings to absorb the axial forces  
 Drive head with separat oil chamber  
 Longlife Gear oil  
Accessory: POM protection to minimize abrasion

#### Ex-Zone

Authorized for Ex-Zone 2  
 ATEX Classification  $\text{CE Ex II 3G Ex ec h IIA T3 Gc}$

#### Propeller

3-blade high efficiency propeller, dynamically balanced

Optimix 2A	9.0 kW	propeller HD+800	280 rpm
Optimix 2A	9.0 kW	propeller HD+580	380 rpm

ss304, ss304 hardened or ss316

#### Guiding unit

Guide mast support with 4 rollers for smooth height adjustment:  
 for 9 kW: 100 / 120 mm square mast  
 Special sizes on request

#### Corrosion protection

Guiding unit in ss304  
 Optional completely in ss316

#### Cable

Pressed-on cable gland  
 Cable  $7 \times 4 + 4 \times 1.0 \text{ mm}^2$ ,  $\varnothing 20 \text{ mm}$ , shielded  
 Microbe resistant  
 Strain relief 800 N

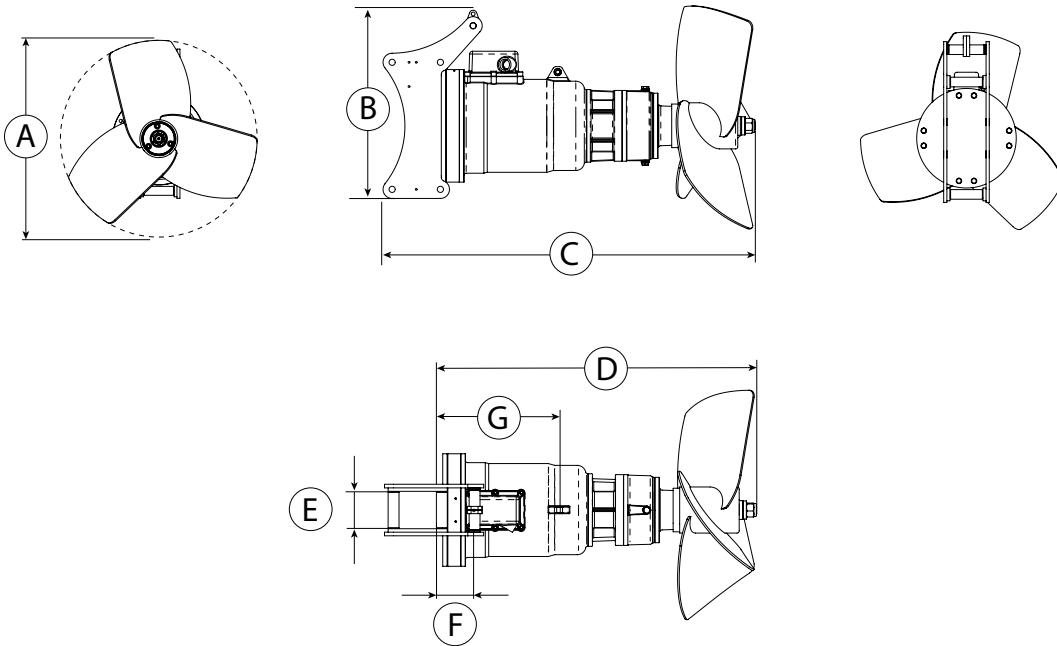
#### Control box (optional)

Star-delta switch, soft start or frequency converter

## OPTIMIX

### 2A 90-280

### 2A 90-380



#### Dimensions / Weight

Type	A [mm]	B [mm]	C max [mm]	D [mm]	E [mm]	F [mm]	G [mm]	Weight approx. [kg]			
2A 90-280	750	520	1,085	885	100 / 120	105	300	170			
2A 90-380	580	520	1,050	850	100 / 120	105	300	170			

#### Technical data

Type	Rated Power [kW]	Rated Voltage [V]	Full load current [A]	Frequency [Hz]	Power factor cos $\phi$	Gear reduction ratio	Propeller speed [rpm]	Propeller diameter [mm]	Axial force [kN]	Flow velocity [m/s] *	Pumping rate [m <sup>3</sup> /min]	Pumping rate [m <sup>3</sup> /h]
2A 90-280	9.0	400	17.7	50	0.83	5.25	280	800	2.8	3.2	94	5.640
2A 90-380	9.0	400	17.7	50	0.83	3.83	380	580	1.9	3.4	51	3.080

Subject to technical changes

\* measured in water and 1.2 m distance