

## OPTIMIX 2A 40-950



### Application

Submersible motor  
Dry matter content up to 8 %  
Substrate temperature up to 55°C  
pH-value 5.5 - 8.2 / optional ss316: pH-values 4.5 - 8.2

### Motor

Motor power: 4.0 kW  
400 V, 50 Hz, special tension on request  
Protection class IP 68, up to 10 m submergence  
PTC thermistors for overheat protection  
Own oil circulation, turbine oil

### Bearing

Bearing flange with mechanical seal of SiC/SiC  
Two tapered roller bearings to absorb the axial forces  
Shaft of ss304 / optional ss316  
Bearing flange with separate oil chamber  
Oil Longlife

### Ex zone (tube and bearing)

Authorized for Ex-Zone 2  
ATEX Classification **CE**  II 3G Ex ec h IIA T3 Gc

### Propeller

3-blade high efficiency propeller, dynamically balanced  
Optimix 2A | 4.0 kW | propeller LD 310 | 950 rpm  
Galvanized, hardened steel, ss304 or hardened ss304

### Guide mast connection

Guide mast support with 4 rollers for smooth height adjustment:  
80 / 100 / 120 mm square mast  
Special sizes on request

### Corrosion protection

Guiding unit of ss304  
Optional completely of ss316

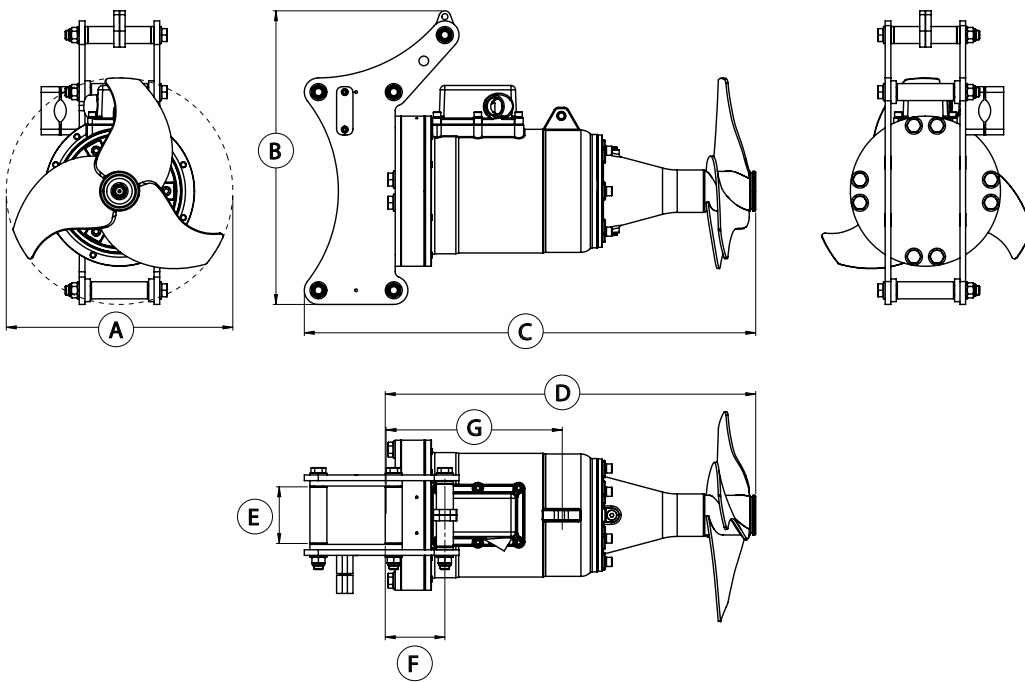
### Electric cable

Standard length 10 m, with pressed-on cable gland  
Microbe resistant cable 7 x 4 + 4 x 1,5 mm<sup>2</sup>, Ø 20 mm  
Strain relief 800 N

### Control box (optional)

Star-delta-switch, soft start or frequency converter

## OPTIMIX 2A 40-950



### Dimensions / Weight

Type	A [∅ in mm]	B [mm]	C [mm]	D [mm]	E [mm]	F [mm]	G [mm]	Weight approx. [kg]		
2A 40-950	310	520	800	650	80 / 100 / 120	105	310	150		

### Technical data

Type	Rated Power [kW]	Rated Voltage [V]	Full load current [A]	Frequency [Hz]	Power factor cos $\phi$	Propeller speed [rpm]	Propeller diameter [mm]	Axial force [kN]	Flow velocity [m/s] *	Pumping rate [m <sup>3</sup> /min]	Pumping rate [m <sup>3</sup> /h]
2A 40-950	4.0	400	8.75	50	0.77	950	310	0.7	3.0	13	770

Subject to technical changes

\* measured in water and 1.2 m distance